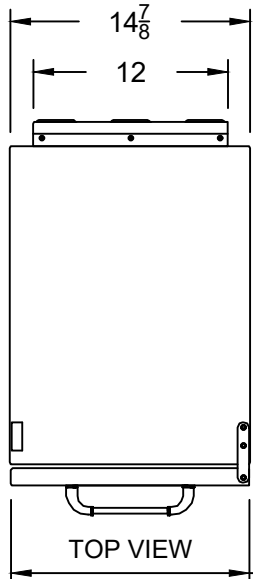


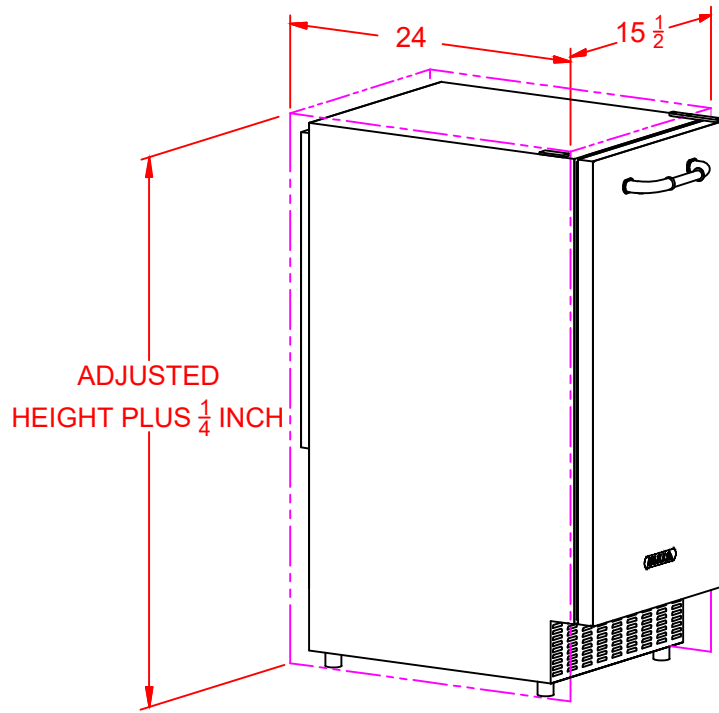
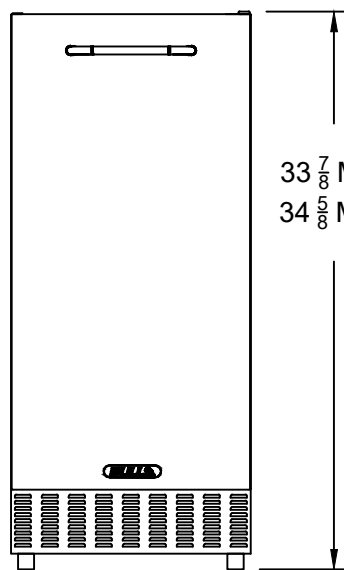


WWW.BULLBBQ.COM

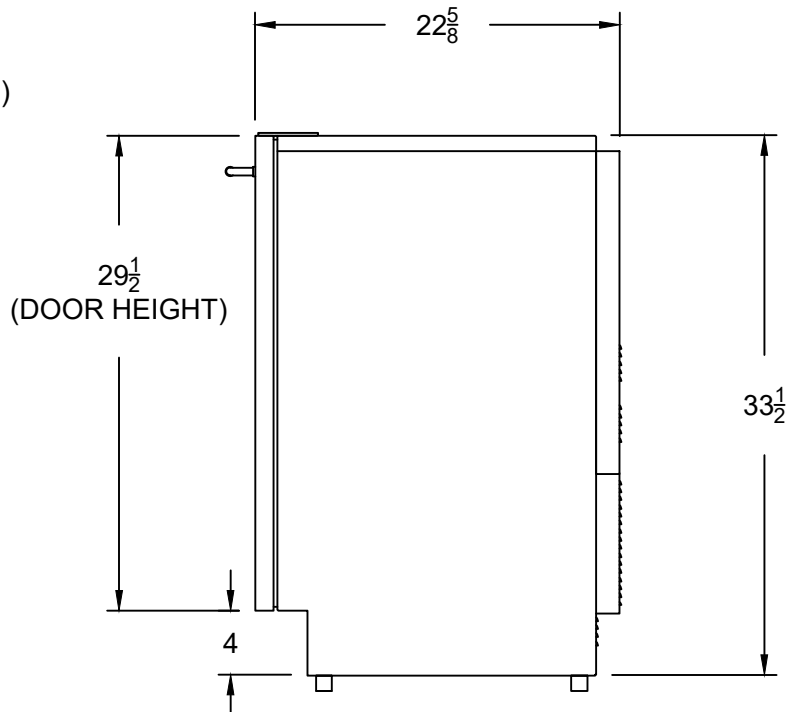
SPEC SHEET
ITEM# 13200
OUTDOOR RATED
ICE MAKER



14 ¹³/₁₆
(DOOR WIDTH)



PERSPECTIVE VIEW
INSTALLATION CUT OUT DIMENSIONS



NOTES:

- 1) ALL DIMENSIONS ARE IN INCH UNITS
- 2) REFER TO PERSPECTIVE VIEW FOR INSTALLATION CUTOUT DIMENSIONS.
- 3) FINISHING FRAME AVAILABLE THROUGH BULL REF ITEM NO. 13202