

TO INSTALLER: Leave this manual with the 1-Hour Button Timer for future reference.
TO CONSUMER: Keep this manual for future reference.

⚠ WARNING: RISK OF FIRE OR ELECTRIC SHOCK.

- Disconnect power at the circuit breaker(s) or disconnect switch(es) prior to installation or servicing.
- Ensure that the installation and wiring comply with both national and local electrical code requirements.
- Only connect to copper conductors.
- Avoid using a timer to control devices that may lead to dangerous consequences due to inaccurate timing. Examples include sun lamps, saunas, heaters, crock pots, and similar appliances.

RATINGS:

- 15 A General Purpose
- 15 A Resistive Load
- 1000 W Tungsten Load
- 1/4 HP Motor Load
- 500 VA Electronic Ballast Load
- 1000 VA Ballast Load
- 120 Vac 60Hz Input Voltage
- Leads: Black-Line, White-Neutral, Red-Load, Green-Ground

INSTALLATION INSTRUCTIONS:

1. Turn off power to the circuit.
2. Remove the wall plate and disconnect the existing light switch.
3. Ensure both the "hot" and "neutral" wires are present in the junction box (refer to Fig. 1). If not, additional wiring is required before proceeding. Strip the insulation from the ends of both wires and ensure they are straight.
4. Connect the red timer wire to the fixture wire using a wire connector (refer to Fig. 2).
5. Connect the black timer wire to the "hot" wire in the junction box using a wire connector.
6. Cut the white wire in the junction box (or open splice) and strip 7/16" of insulation from both ends.
7. Connect the white timer wire to the white wires in the junction box using a wire connector (refer to Fig. 2).
8. Connect the green wire from the new timer to the existing ground in the box.
9. Verify that all wire connections are secure.
10. Place the timer and all wires inside the junction box.
11. Install the timer and secure it with the provided mounting screws.
12. Reconnect the electrical power.

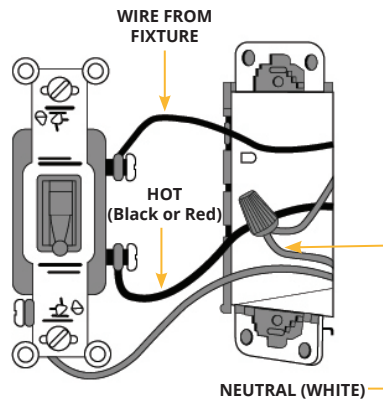


FIGURE 1

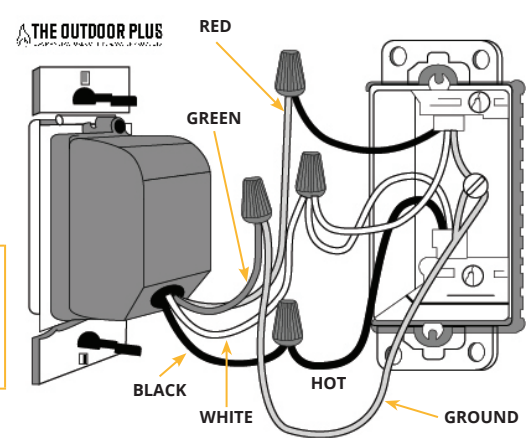


FIGURE 2

OPERATING INSTRUCTIONS:

TIMER MODE

1. Press the timer button repeatedly to choose the desired time setting or to turn the timer OFF. The lit LED indicates the selected time setting, and the connected load will be turned ON.

2. Once the chosen time interval elapses, the LED will turn OFF, and the connected load will also turn OFF.

Hold Mode (Continuous Operation):

HOLD MODE (SUSTAINED OPERATION)

1. To keep the timer ON for longer durations, press and hold the timer button for more than 2 seconds.

2. The timer will enter HOLD mode, and the HOLD LED will illuminate, turning ON the connected load.

3. To exit HOLD mode, simply press and release the timer button. The LED will go off, and the connected load will turn OFF.