



MAZZUCATO
NEVER BORING

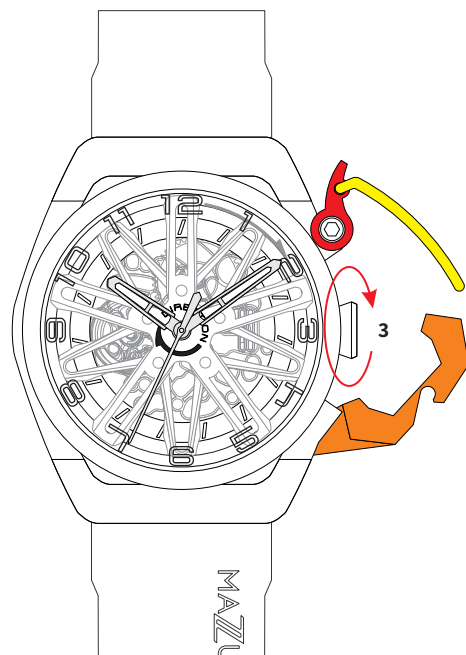


www.mazzucato watches.com

follow us on  

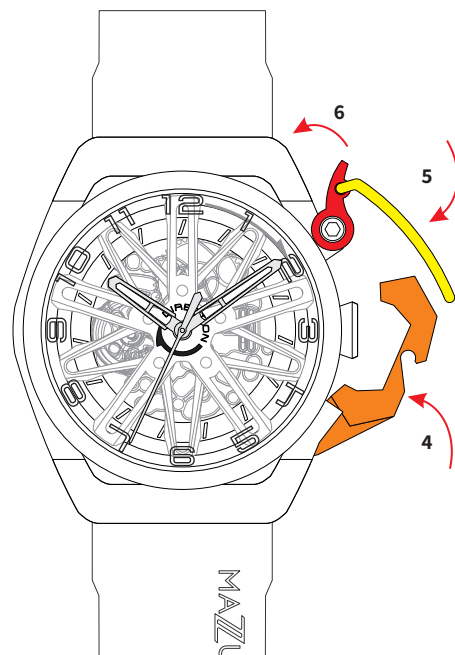
How To Close The Locking System

3 Hands Automatic Caliber SEIKO NH70



3 YOU MAY ADJUST THE TIME
BY TURNING THE CROWN NOW

8



4 CLOSE THE PROTECTIVE ARM
5 CLOSE THE WIRE CLASP
6 LOCK THE HOOK

9

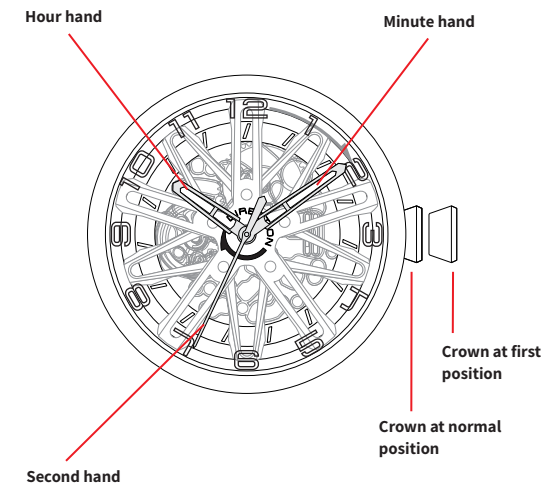
1. HOW TO SET THE TIME

- 1) Pull out the crown to the first click position.
- 2) Turn the crown to set hour and minute hands.
- 3) Push the crown back into the normal position.

2. TO WIND UP THE MAINSPRING

- a) Manual winding (Rotate the crown clockwise at normal position)
Fully wound up by turning the crown minimum 55 times.
It will start to move naturally after shaking slightly.
- b) To wind up with winding machine.
Full wind up conditions (Reference information)
- Rotary speed : 30 rpm
- Operating time : 60 minutes

10



11

RIM

GT

INSTRUCTION MANUAL



RIM GT

INSTRUCTION MANUAL

INDEX

P.4 RIM GT: Components

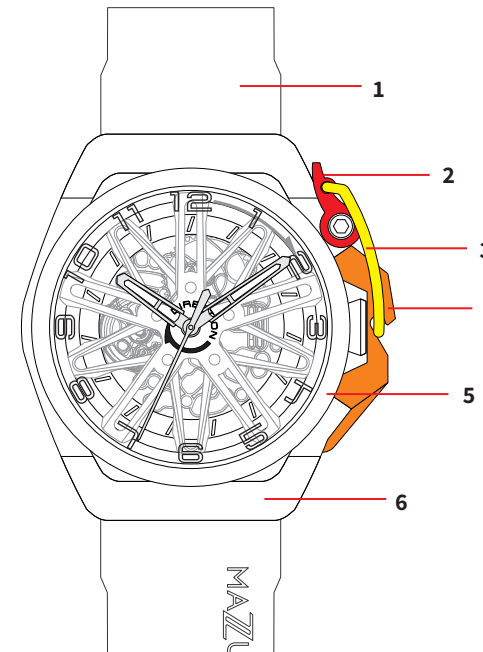
P.6 How To Release The Locking System

P.9 How To Close The Locking System

P.10 3 Hands Automatic Caliber SEIKO NH70

RIM GT: Components

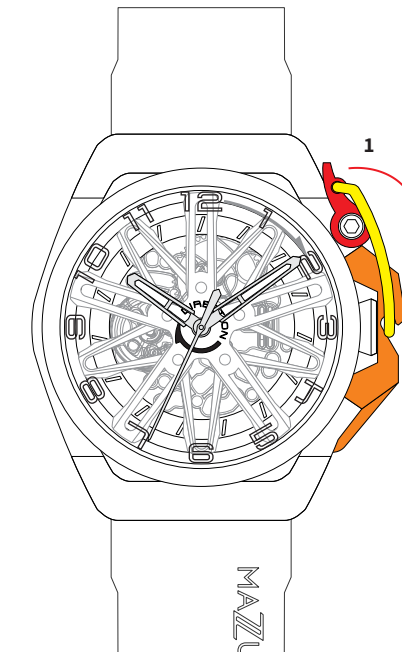
- 1 Strap
- 2 Hook
- 3 Wire Clasp
- 4 Protective Arm
- 5 Case Body
- 6 Case Frame



4

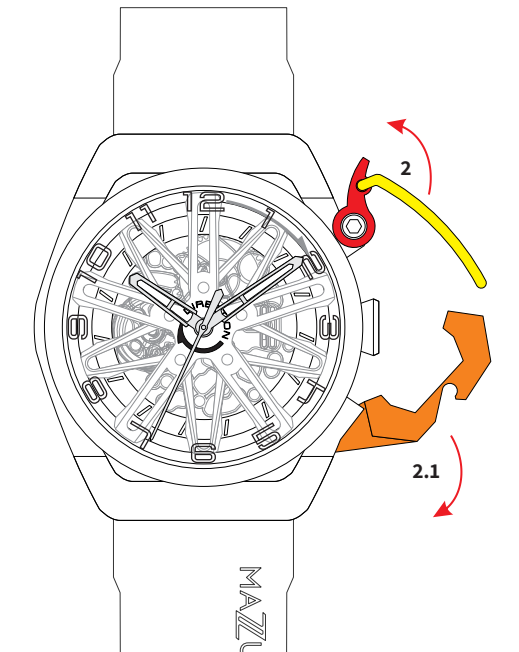
5

How To Release The Locking System



1 UNLOCK THE HOOK

6



2 RELEASE THE LOCKING SYSTEM
BY OPENING THE WIRE CLASP
AND PROTECTIVE ARM

7