



Starry House Commercial Products and Solutions

To stargaze

Look, the endless starry sky;
Listen, the stream flowing water.



Go camping

Immersive experience;
Beyond the mountains and forests,
the fragrance of flowers in the
countryside.





N+ Scenarios

Seaside / Deep Mountain / Woods / Desert / Snow /
Grassland / Terrace / Rooftop / Park / Scenic Spot/ animal
and plant viewing park / public places, etc.



N+ Application

Internet celebrity homestays / hotels / camping camps /
restaurants / bars / coffee houses / agricultural tourism
parks / ornamental gardens / emergency structures /
medical aid stations / temporary housing, etc.

Promote the project, increase the customers

Create high-level cultural tourism
projects to drive scenic traffic



No infrastructure construction, policy support

No violation, no illegal construction, no
pollution, and movable building



Quick setup low investment cost

Only 2 people 1 hour to complete the assembly,
low investment, quick profit

Six major advantages

Let you live in nature



Light and environmental

Easy to move and disassemble can reach food level



Waterproof and fireproof

It has good waterproof and fire protection level up to B1



Resistance to impact

Super impact force, can prevent falling objects, hail, snow and other natural disasters



Sound insulation 30% db

Significantly reduced noise decibel layer; quiet and comfortable



Windproof rating 12 or above

The spherical design allows the air discharge to be stress-free

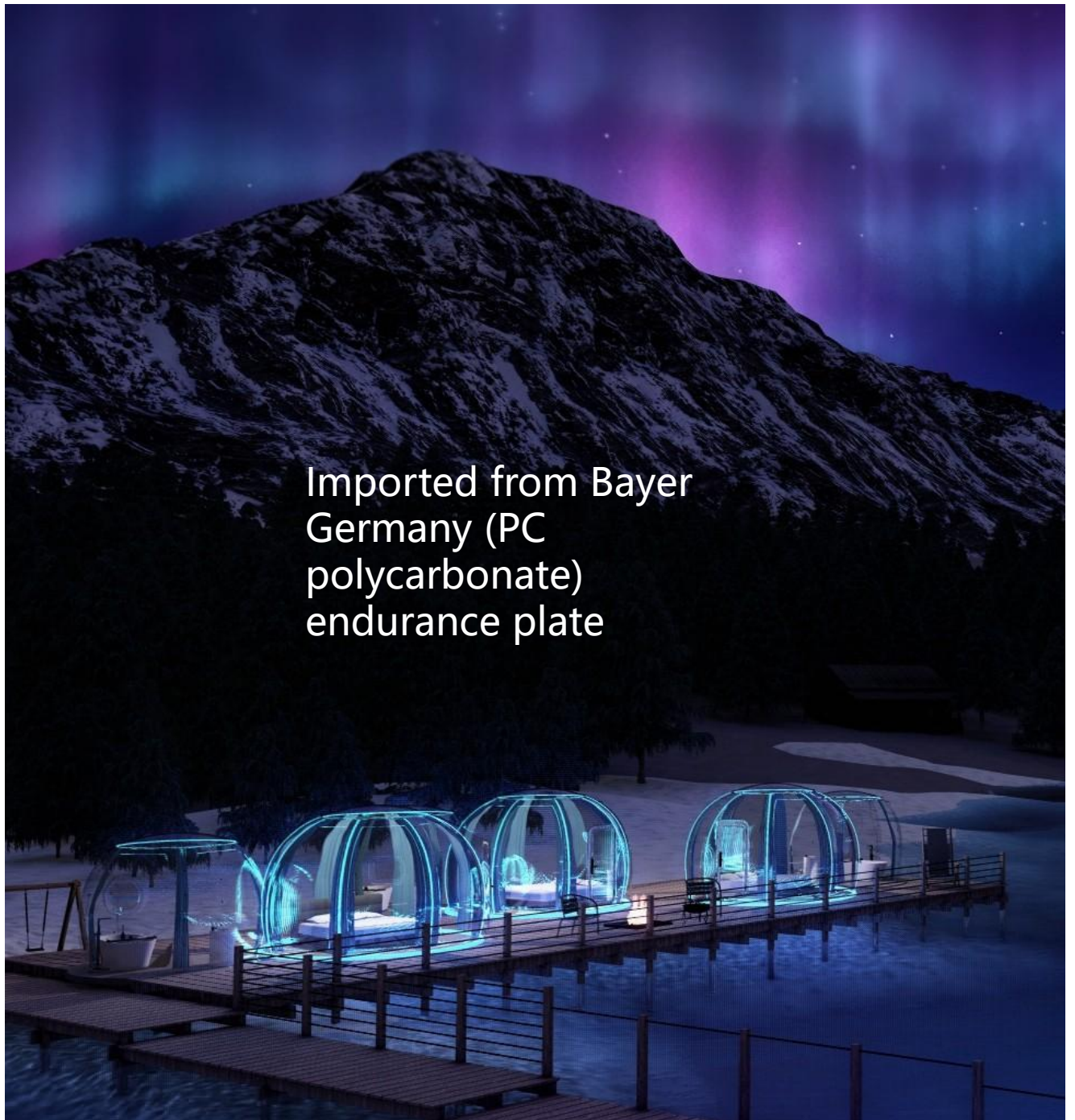


Weather resistance of more than 10 years

Professional UV coating, no yellow, no brittle crack isolation harmful UV, protect skin health

An unbreakable transparent room

Same material as police riot shield



Imported from Bayer
Germany (PC
polycarbonate)
endurance plate

Use with confidence and enjoy refreshment

360 degree transparent
design, panoramic scenery



Colorless and
odorless up to
food grade

-Product size-

MCH-2700

Product size:

Φ2.7MxH2.3M

Indoor area: About 5m²

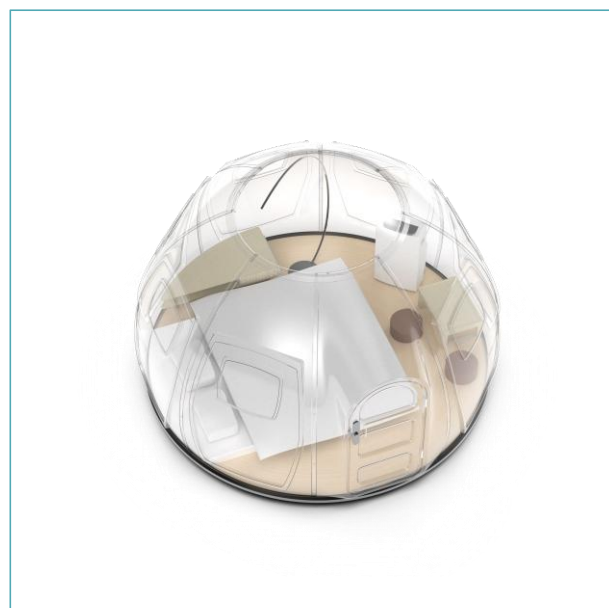


MCH-3300

Product size:

Φ3.3M x H2.3M

Indoor area: About 8m²



MCH-3450

Product size:

Φ3.45M x H2.5M

Indoor area: About 9m²



-Product size-

MCH-3800

Product size:

Φ3.8MxH2.5M

Indoor area: About 10m²



MCH-4233

Product size:

Φ4.2Mx3.3M x H2.3M

Indoor area: About 11m²



MCH-5380

Product size:

Φ5Mx3.8M x H2.5M

Indoor area: About 14m²



- Homestay/hotel recommendation -



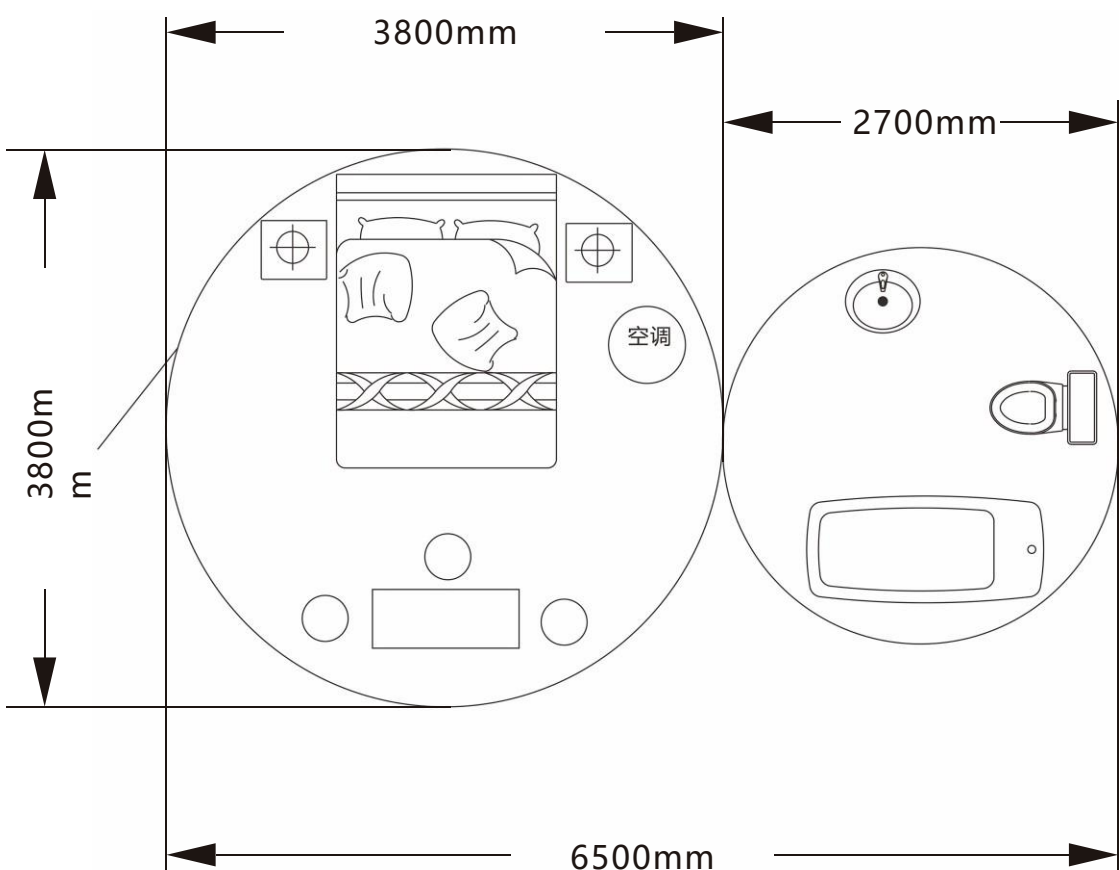
MCH-3827

- Gold combo -

Used for high-end
homestay hotel suites

The saleable area is
about 15m²
One bedroom and
one living room

Every corner of life is
in the sun



- Homestay/hotel recommendation -



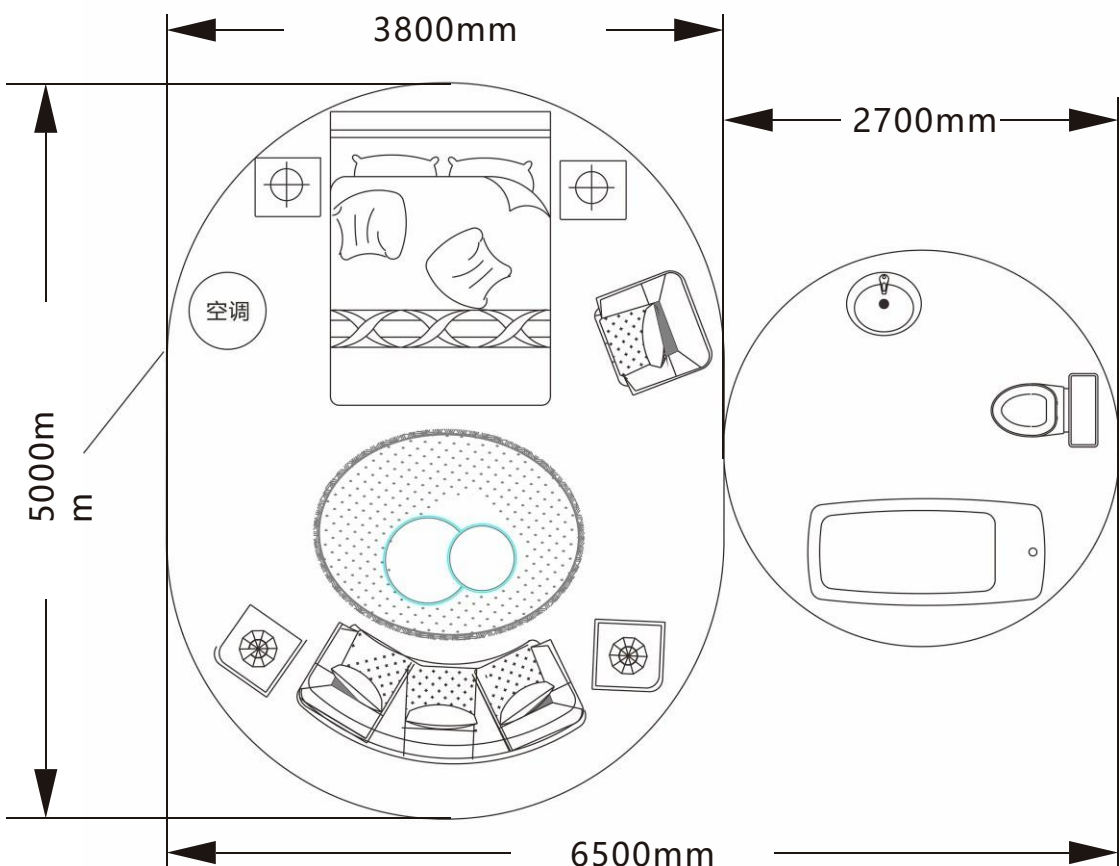
MCH-5327

- Spacious and luxurious -

Used for high-end
homestay hotel suites

The saleable area
is about 20m²
One bedroom
and one living
room

Lighting big households
embrace the four
seasons of sunshine



- Homestay/hotel recommendation -



MCH-3312

- Light and cute -

It is used for simple
bathroom in homestays



Unlimited homestay style

All sizes can be combined in any DIY

- Optional configuration

• Rest assured to use -

Bathroom optional

MCH-1200

Product size:

Φ1.28MxH2.3M

Indoor area: About 1m²



Configuration optional



Interactive heating and cooling



Waterproof exhaust fan



Hotel management door locks



Double rail / round opening and closing top curtain

- 360 degree stylish curtains -



Double rail, round opening and closing top curtain, 8 pieces of manual hanging curtain;
Up to 30 fabrics and styles, double-layer optional

- Crystal clear • The beauty of refraction -

The overall use of photorefractive design principles makes the room as clear as crystal



100 marquee modes

You can use the mobile APP to change the color, and the sound depends on the effect.

(Optional configuration)

- Actual shots of the Starry House -





- Save time / worry / money -



More than ten years of exquisite craft



Committed to originality



Focus on craftsmen



Factory directly operated & shipped within 15days