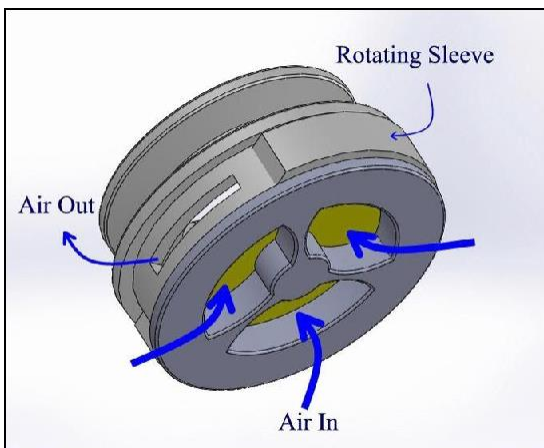




Optipillows EPAP Mask is a nasal mask that uses Expiratory Positive Airway Pressure for treatment of snoring, but has also been successful at treating some people who suffer from mild obstructive sleep apnea. Optipillows EPAP Mask is FDA cleared and is used like a CPAP nasal pillow mask, but without the tubing or machine.

Optipillows EPAP Mask comes as a kit which includes headgear, our proprietary EPAP valve, and 3 sizes of nasal pillows. It's lightweight and comfortable, and does not require a prescription. Optipillows is reusable, lasting up to one year.



Optipillows EPAP Mask is the only EPAP device on the market that offers adjustable pressure. During inhalation, the valve opens allowing users to breathe in easily. During exhalation, the valve closes and redirects the expired air through a narrow opening on the side of the valve. This creates Expiratory Positive Airway Pressure (EPAP) in the mouth and back of the throat, which helps keep the upper airways open and prevents snoring. Based on the needs of the user, the pressure can be adjusted by rotating the patented valve sleeve to make the opening larger or smaller.

What users are saying:

**“Received my mask yesterday and tried it out for the first time last night. Was pleased with how comfortable it was to sleep in.”** *Susi*

**“It allows me to sleep on my side and it stays in place through the night...I find myself sleeping through the night on a far more regular basis.”** *Daniel*

**“So much easier and more comfortable to use than Theravent.”** *John*

