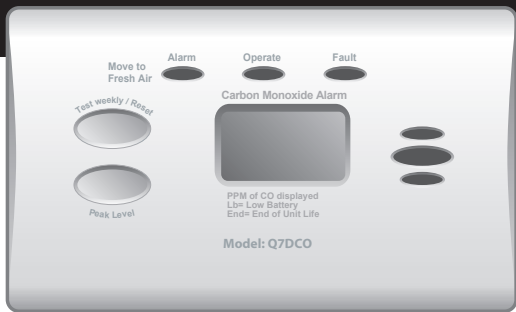




User and Installer Guide

Battery Carbon Monoxide Alarms

Quick Start Instructions included
at the back of this User Guide



Part Number: 140021, 140023, 140024

Model: Q7DCO



BS EN50291-1: 2018
BS EN50291-2: 2019
LICENSE NO. KM 738897

K7DCO-7250-00

Thank You for Purchasing this QUELL Alarm

Powered by two AA batteries, these models include a digital display (model Q7DCO only), and a Reset function to temporarily silence nuisance alarms.

Teach children how to respond to the alarm and that they should never play with the unit. This alarm is designed to detect carbon monoxide from any source of combustion in a residential environment. As well as being recommended for use in homes, this alarm is approved for use in caravans, motor homes and boats.

NOTE: Please thoroughly read this user guide and save the document for future reference and to pass on to any subsequent owner.

IMPORTANT: Additional markings can be found on the back of the unit.

The manufacturer recommends replacing this alarm ten years from the install date on the side of alarm.

ENVIRONMENTAL PROTECTION

Waste electrical products should not be disposed of with household waste. Please recycle where facilities exist. Check with Local Authority or Supplier for recycling advice.



Product Support: 1800 654 435

*Please write down the below information
and have this at hand when you call.*

Model: _____

Date Code (on side): _____

Date of Purchase: _____

Where Purchased: _____

Date to Replace: _____

Contents

1. Carbon Monoxide Alarm: What To Do When the Alarm Sounds.....	4
2. Other Alarm Visual and Audible Indicators.....	5
3. Troubleshooting Guide.....	6
4. Introduction, Product Features and Specifications.....	7
5. Limitations of CO Alarms.....	9
6. Recommended Locations for Alarms.....	10
7. Locations to Avoid.....	11
8. Installation.....	13
9. Operation and Testing.....	14
10. Recognizing Nuisance Alarms.....	15
11. Battery	16
12. General Carbon Monoxide (CO) Information.....	17
13. Cleaning Your Alarm.....	19
14. Service and Warranty.....	21
Quick Start Instructions	22

1. Carbon Monoxide Alarm: What To Do When the Alarm Sounds

The carbon monoxide (CO) alarm pattern is four quick beeps repeating every 5 seconds. The red LED blinks in sync with the beep pattern. The digital display on model Q7DCO will show the PPM level of CO detected.

⚠ WARNING: CARBON MONOXIDE ALARM ACTIVATION INDICATES THE PRESENCE OF CARBON MONOXIDE (CO) AT HIGH CONCENTRATIONS WHICH CAN KILL YOU.

Based on recommendations from EN 50292, follow these steps if alarm sounds:

1. Keep calm and open all doors and windows. Turn off all fuel-burning appliances if possible. Note: it is possible that outdoor conditions could influence domestic CO alarms (bad traffic pollution in cold weather, for example). In these circumstances, the level of indoor CO might actually increase when doors and windows are opened.
2. If the alarm continues to sound, even after being reset (where appropriate), then evacuate the premises, alerting other occupants to the risk. Leave doors and windows open. Do not re-enter the premises.
3. Get medical help for anyone suffering the effects of CO poisoning, and advise that CO inhalation is suspected.
4. Call Gas Emergency Services (Fire Brigade and/or Ambulance) on 000 (AUS), or your local Gas Safe Registered Engineer:

PHONE NUMBER:

**Never restart the source of the CO problem until it has been corrected.
Never ignore the sound of the alarm!**

NOTE: See Section RECOGNIZING NUISANCE ALARMS, for nuisance alarm situations.

2. Other Alarm Visual and Audible Indicators

Operational Mode	Visual Indications	Audible Indications	Action/Note:
Normal (standby)	Green LED blinks approx every 30 sec.		
Test (button press when no alarm condition is present)	<ul style="list-style-type: none"> • Green and amber LEDs illuminate. • Red LED blinks in sync with beep pattern. • Model Q7DCO digital display will show 3 dashes and then "888". 	<ul style="list-style-type: none"> • 4 loud pulses, a pause, 4 loud pulses. • Single beep 	Perform test button press once a week to verify proper alarm operation.
CO Alarm Memory (unit has experienced a CO alarm event or 100 ppm or more CO within the last 14 days)	Red LED blinks every 60 sec.	None.	Model Q7DCO: Push Test/Reset while the Peak Level button is depressed to clear Alarm Memory.
Peak Level CO (Q7DCO only)	Digital display shows the highest CO reading between 11 and 999 ppm since the peak level was reset.*	None.	Push test/reset button while peak level button is depressed to clear peak level memory.
CO alarm reset	Red LED continues to signal the alarm pattern.	After button push: CO alarm pattern stops.	Unit is confirming if CO is present or if it experienced a nuisance situation. Re-alarm means danger. Move to fresh air and call 0800 111 999.

* NOTE: CO levels up to 30ppm can occur under normal non-dangerous conditions. Such conditions could include nearby heavy traffic, starting a vehicle in an attached garage, starting a fire or a nearby charcoal barbecue.

3. Troubleshooting Guide

Trouble Condition	Visual Indications	Audible Indications	Action:
Low Battery	Amber LED blinks every 60 sec. Model Q7DCO digital display will show "Lb".	Chirp every 60 sec.	* Push test button once to silence for 24 hrs. Note: 30 days after Low Battery begins, the notifications cannot be silenced. * Replace batteries as soon as possible.
Fault Mode	Amber LED blinks every 30 sec. Model Q7DCO digital display will show "Err".	Chirp every 30 sec.	* See Cleaning Your Alarm section. * Push test button once to attempt to reset the unit.
End of Unit Life	Amber LED blinks twice every 60 sec. Model Q7DCO digital display will show "End".	Two chirps every 60 sec.	* Push button once to silence for 24 hrs. Note: 30 days after End of Unit Life begins, the notifications cannot be silenced. * Remove, dispose unit, and replace as soon as possible.
MCU Failure	None.	Constant tone.	* Replace alarm.
Stuck Button	Amber LED blinks every 5 sec.	Chirp every 5 sec.	* Push button to dislodge it from being stuck. If button cannot be unstuck, remove, dispose unit, and replace as soon as possible.

NOTE: If at any time your alarm fails to operate correctly (erratic or low sound, for example), or if you require further information, please contact customer support at 1800 654 435.

4. Introduction, Product Features and Specifications

Introduction

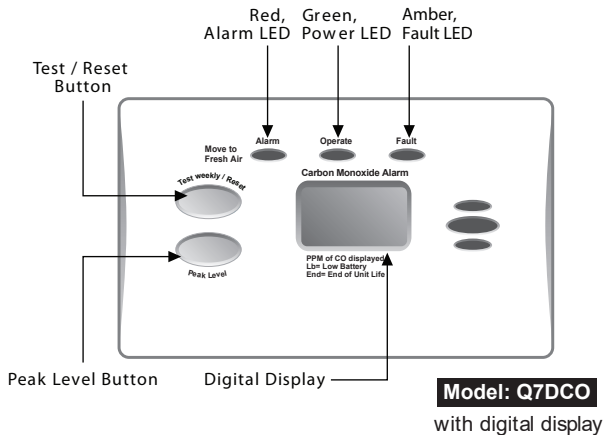
This alarm detects carbon monoxide using an electrochemical cell. Many times throughout this User Guide, we will refer to Carbon Monoxide as “CO.”

Ten (10) years after the unit was installed, this unit will automatically alert you that it is time to replace the unit. This is called “End of Unit Life” mode. See Troubleshooting Guide. To help track the life of your alarm, write the installation date in the space provided on the side of the alarm. A label has been provided that has important information on what to do in case of a CO alarm. Place the label at eye level on a wall near the alarm after it is mounted.

Product Features and Specifications:

- Temperature Operating Range: -10°C to 45°C
- Humidity Operating Range: up to 90% RH non-condensing
- Audible Alarm: 85+ dB(A) at 3 m, 3.0 to 3.5 kHz pulsing alarm
- Digital Display (Q7DCO only)
NOTE: Depending on the ambient condition (temperature, humidity) and the condition of the sensor, the display readings may vary. The digital readings tolerances are 0-999 +/- 30% +15ppm during these conditions: Ambient: 27°C ± 12°C (80°F ± 10°F), atmospheric pressure ±10%, 40% ± 3% relative humidity
- CO Sensor: Electrochemical
- Peak Level Memory (Q7DCO only)
- CO Alarm Reset
- Powered by AA batteries
- Storage and Transport Conditions: -20° C to +60° C, 5-95%RH (non-condensing)
- Approved for use in homes, caravans, motor homes and boats.

Product Features



5. Limitations of CO Alarms

⚠ WARNING: PLEASE READ CAREFULLY AND THOROUGHLY

This alarm is not intended to alert hearing impaired individuals.

LIMITATIONS OF CO ALARMS

- **IMPORTANT:** This alarm is designed to detect carbon monoxide gas from ANY source of combustion. It is NOT designed to detect any other gas.

⚠ CAUTION: This alarm will only indicate the presence of carbon monoxide gas at the sensor. Carbon monoxide gas may be present in other areas. Never restart the source of a CO problem until it has been fixed. **NEVER IGNORE THE ALARM!**

⚠ WARNING: THIS PRODUCT IS INTENDED FOR USE IN ORDINARY INDOOR LOCATIONS OF FAMILY LIVING UNITS. IT IS NOT DESIGNED TO MEASURE COMPLIANCE WITH COMMERCIAL AND INDUSTRIAL STANDARDS. THIS ALARM IS NOT SUITABLE FOR INSTALLATION IN HAZARDOUS LOCATIONS.

IMPORTANT: THIS CARBON MONOXIDE ALARM IS DESIGNED TO DETECT CARBON MONOXIDE FROM ANY SOURCE OF COMBUSTION INCLUDING IMPROPER OR MALFUNCTIONING APPLIANCES. THE INSTALLATION OF THIS DEVICE SHOULD NOT BE USED AS A SUBSTITUTE FOR PROPER INSTALLATION, USE AND MAINTENANCE OF FUEL BURNING APPLIANCES INCLUDING APPROPRIATE VENTILATION AND EXHAUST SYSTEMS.

- This alarm does not prevent CO from occurring, nor can it solve any existing CO problem.

⚠ WARNING: THIS DEVICE IS DESIGNED TO PROTECT INDIVIDUALS FROM ACUTE EFFECTS OF CARBON MONOXIDE EXPOSURE. IT WILL NOT FULLY SAFEGUARD INDIVIDUALS WITH SPECIFIC MEDICAL CONDITIONS. IF IN DOUBT, CONSULT A MEDICAL PRACTITIONER. INDIVIDUALS WITH MEDICAL PROBLEMS MAY CONSIDER USING WARNING DEVICES WHICH PROVIDE AUDIBLE AND VISUAL SIGNALS FOR CARBON MONOXIDE CONCENTRATIONS UNDER 30 PPM.

- This alarm has not been investigated for carbon monoxide detection below 50 PPM.
- This alarm requires a continuous supply of electrical power – it will not work without power.

⚠ WARNING: THIS CARBON MONOXIDE ALARM IS NOT A SUBSTITUTE FOR INSTALLING AND MAINTAINING AN APPROPRIATE NUMBER OF SMOKE ALARMS IN YOUR HOME. THIS ALARM WILL NOT SENSE SMOKE, FIRE, OR ANY POISONOUS GAS OTHER THAN CARBON MONOXIDE. FOR THIS REASON YOU MUST INSTALL SMOKE ALARMS TO PROVIDE EARLY WARNING OF FIRE AND TO PROTECT YOU AND YOUR FAMILY FROM FIRE AND ITS RELATED HAZARDS.

6. Recommended Locations for CO Alarms

NOTE: Note: CO alarms should be installed following the guidance of relevant local standards, such as EN 50292.

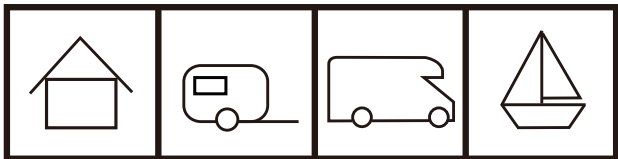
- Whether the alarm is wall-mounted or ceiling mounted, place the alarm a horizontal distance of between 1 metre and 3 metres from a fuel burning appliance.
- When mounting the alarm on the wall, use an inside wall with the top edge of the alarm at a minimum of 150 mm below the ceiling. The bottom of the alarm should also be at a level greater than the height of any door or window.
- Locate within hearing distance of bedrooms* and place at sleeping height if a heating appliance is in the bedroom.
- CO alarms in rooms with sloped ceilings should be located on the high side of the room.
- Ceiling mounted alarms should be at least 300 mm from any wall.
- If there is a partition in the room, locate the alarm on the same side of the partition as the potential source.

* A CO alarm should be installed in all rooms containing a fuel burning appliance. Additional CO alarms should be installed in rooms where most awake time is spent, in every sleeping area, and on every level of the home.

7. Locations to Avoid

- In the garage. Products of combustion are present when you start your motor vehicle.
- Do not install alarms adjacent to, or directly above, heaters or air-conditioning vents.
- In very humid areas (above 90% RH, non-condensing), such as bathrooms and shower rooms. Do not install directly above a sink, or near dishwashers or washing machines. Moisture or steam can cause nuisance alarms.
- Do not install within 1 m of heating or cooking appliances, measured horizontally.
- In an area where the temperature may fall below -10°C or rise above 45°C such as garages and unfinished attics.
- Do not install alarms in dusty areas. Dust particles may cause nuisance alarm or failure to alarm.
- In insect-infested areas.
- Within 300 mm of a light fitting, as electronic "noise" generated by the electronics may cause nuisance alarms.
- Do not install in an enclosed space (cupboard) or where the ventilation openings in the unit could be impeded by items such as newspapers, table-cloths, furniture, curtains, etc.
- Do not install next to a door, window, extractor fan, flue, chimney, or any other area where high air flow may occur or the unit may be directly exposed to weather.
- Do not install in locations that are difficult or dangerous to reach for testing or maintenance.

Additional Instructions for Caravans and Boats



It is not always possible to find an optimum location for an apparatus, for example, a small caravan or boat may not have suitable vertical surfaces available. Nevertheless, when fitting an apparatus in such situations, the most important considerations when selecting an appropriate location are:

- Avoid mounting the apparatus directly above a source of heat or steam
- Mount the apparatus at a distance of 1 m to 3 m from the nearest edge of the potential source.
- Avoid running the engine when moored alongside objects such as a wharf, a wall or another boat
- Avoid running your engine when docked in a crowded marina as vehicle and exhaust fumes can damage the alarm sensor.

⚠ WARNING: TO REDUCE THE RISK OF FIRE OR ELECTRIC SHOCK, DO NOT EXPOSE THIS PRODUCT TO RAIN OR MOISTURE.

8. Installation / Activation

⚠ CAUTION: THIS UNIT IS SEALED. THE COVER IS NOT REMOVABLE!

NOTE: YOUR CO ALARM MUST BE INSTALLED BY A COMPETENT PERSON, AND IS TO BE INSTALLED ACCORDING TO THESE INSTRUCTIONS.

After selecting the proper alarm location as described in the “Recommended Locations for CO Alarms” section, you may choose either a wall mounting or free-standing installation.

Wall-mounting (recommended by the manufacturer, if possible)

1. Drill two holes in a wall 78 mm apart (you may wish to use the back-plate for guidance)
2. Insert the two wall plugs, that are supplied, into the holes
3. Insert the two screws as supplied into the holes ensuring enough of the screw sticks out of the wall (approx. 3mm)
4. Hook the alarm back-plate over the screws

Free-standing

ALWAYS BE CAREFUL TO LOCATE A FREE-STANDING ALARM WHERE IT IS UNLIKELY TO BE KNOCKED TO THE FLOOR, AND IN ACCORDANCE WITH THE RECOMMENDED LOCATIONS SECTION.

Ensure free-standing alarms are placed in the upright position, and not lying flat on a surface.

Activation

1. Remove the batteries from the pack and insert them into the battery compartment. Make sure that you fit the batteries in accordance with the polarity markings (+ or -) within the battery compartment. If correctly installed, the alarm will give a short beep.
2. Slide the alarm onto the back-plate.

The alarm is now activated! After installation / activation, test your alarm as described in Operation and Testing section.

⚠ WARNING: FAILURE TO PROPERLY INSTALL AND ACTIVATE THIS ALARM WILL PREVENT PROPER OPERATION OF THIS ALARM AND WILL PREVENT ITS RESPONSE TO HAZARDS.

9. Operation and Testing

Operation

The alarm is operating once it is activated and testing is complete (see “TESTING” below). When CO is detected, the unit sounds a loud alarm. See Section 1 for alarm signal descriptions. In high levels of CO, the unit will go into alarm in a shorter period of time than at low levels of CO.

Parts per Million (PPM) of CO	Time until Alarm
50	60 – 90 Minutes
100	10 – 40 Minutes
300	Must alarm in less than 3 minutes

Testing

Test your alarm weekly, or after returning from a vacation or absence, by pressing and releasing the button quickly. A quick beep will confirm the button has been pushed followed by the test sequence. See Other Alarm Visual and Audible Indicators table. The alarm will sound if the electronic circuitry, horn, and batteries are working. If the alarm does not sound, or gives erratic or low volume sound, the unit must be replaced.

▲ WARNING: DUE TO THE LOUDNESS OF THE ALARM, ALWAYS STAND ABOUT 1 METRE AWAY FROM THE UNIT OR USE EAR PROTECTION WHEN TESTING.

BUMP TEST MODE

This alarm includes a “bump test” mode that will allow the alarm to be qualitatively tested during field service using commercially available aerosol CO.

1. Hold the test button down for 10 seconds.
2. The unit will chirp 3 times indicating the start of test mode.
3. The Green LED flashes once per second during test mode.
4. Apply the commercially available aerosol CO.
5. CO alarm sounds if CO reading is above 40 ppm.
6. The alarm will automatically exit from the bump test mode after 2 minutes followed by reset.

NOTE: The test can be terminated manually by pressing the test button.

▲ CAUTION: This unit should only be bump tested using clean, dry CO test gas by a trained service engineer.

10. Recognizing Nuisance Alarms

Carbon Monoxide (CO) Nuisance

RESET: Pushing the test / reset button during CO alarm allows the unit to reset calculations and double check for the presence of CO. If the unit re-alarms, it is sensing high levels of CO which can quickly become a dangerous situation. Move to fresh air and call (Fire Brigade and/or Ambulance) on 000 (AUS).

⚠ WARNING: IT IS IMPOSSIBLE TO DETERMINE THE SOURCE OF A CO ALARM USING SIGHT OR SMELL. ALWAYS CONSIDER A CO ALARM EVENT AS DANGEROUS.

11. Battery

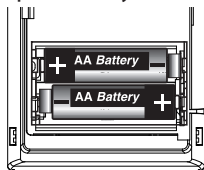
This alarm is powered by two AA batteries. Under normal operating conditions, the batteries will last a minimum of one year. NOTE: Constant exposures to extreme temperatures and humidities may affect battery life.

⚠ WARNING: DO NOT ATTEMPT TO OPEN THE ALARM FOR ANY REASON! DO NOT TRY TO REPAIR THE ALARM YOURSELF.

Low Battery

This alarm is equipped with a low battery monitor circuit. If the battery capacity is nearing the point where it can no longer provide adequate power for all alarm functions, the low battery condition will occur. See Troubleshooting Guide. The batteries must be replaced within 30 days of the first occurrence of the “Low Battery Warning” to provide continuous alarm detection.

Replace battery



Slide alarm from back-plate.

Insert 2 x replacement 'AA' batteries
(noting polarity – see sketch)

Replace back-plate and test the alarm

Recommended Batteries.
Duracell MN1500, MX1500
Gold Peak 15A
Golden Power GLR6A
Energizer E91

NOTE: Do not use Lithium batteries in this unit.

These batteries can be purchased from your local retailer.

⚠ WARNING! Alarm will not attach to back-plate unless batteries are installed. Depleted or removed batteries will render this alarm inoperative.

Chirping:

When End of Unit Life or Low Battery chirping begins, you can temporarily silence these chirps by pressing the test button. See Troubleshooting Guide.

⚠ WARNING: Replace unit immediately after End of Unit Life. It will not detect CO in this condition.

12. General Carbon Monoxide (CO) Information

What is Carbon Monoxide?

Carbon monoxide (CO) is a highly poisonous gas with no taste, colour or smell.

Potential Sources of CO

- Wood-burning stoves
- Gas boilers and fires
- Gas Hobs
- Oil and coal burning appliances
- Portable gas heaters
- Blocked flues and chimneys
- Fumes from integral garages
- Barbecues
- High concentrations of tobacco smoke

This CO alarm is not a substitute for proper installation, use and maintenance of fuel burning appliances including appropriate ventilation and exhaust systems.

Carbon monoxide can be produced from poorly burning appliances or from blocked flues and chimneys.

If your alarm has sounded and you have ventilated the room, the CO may have dispersed before help arrives. It is crucial that the source of CO is determined and appropriate maintenance carried out.

Carbon monoxide is a cumulative poison. Long term exposure to low levels may cause symptoms.

This alarm is time-weighted – the higher the level of CO, the sooner it will alarm.

NOTE: The apparatus may respond to brief exhaust gas emissions, for example during the initial start-up of an appliance. Also, hydrogen acts as an interferent and can arise from some battery charging activities and the curing of concrete or cement under certain circumstances. Volatile Organic Compounds (VOCs), e.g. alcohols, which may eventually activate the alarm, can be generated from use of damp-proofing materials or other coatings containing alkylalkoxysilanes.

The table below shows the effects of different levels of CO poisoning on the body;

Parts per Million (PPM)	Effects on Adults
100	Slight headache, nausea, fatigue (flu-like symptoms)
200	Dizziness and headache within 2 – 3 hours
400	Nausea, frontal headache, drowsiness, confusion and rapid heart rate. Risk to life after over 3 hours of exposure
800	Severe headaches, convulsions, vital organ failures. Death possible within 2 – 3 hours

⚠ Warning: The device cannot warn against the chronic effects of exposure to carbon monoxide or protect individuals who are at specific risk.

NOTE: If you recognise any of the above symptoms consult your Doctor immediately.

NOTE: Young children, elderly and pets are more susceptible to the dangers of CO.

NOTE: Your QUELL alarm is designed to detect CO gas. It is not designed to detect other gas such as natural gas.

NOTE: This product is intended for use in ordinary family homes. It is not designed to measure compliance with occupational safety and the HSE.

NOTE: Individuals with certain specific medical conditions may need an alarm that operates below 30ppm. If this applies consult your Doctor.

IMPORTANT: Ensure that all family members are familiar with the symptoms of CO poisoning and how your alarm works.

To be safe, know the possible sources of CO in your home, caravan, motor home, or boat. Keep fuel burning appliances and their chimneys and vents in good working condition. Learn the early symptoms of exposure, and if you suspect CO poisoning, move outside to fresh air and get emergency help. Your first line of defence is an annual inspection and regular maintenance of your appliances. Contact a licensed contractor or call your local utility company for assistance.

In rented properties your Landlord (or Council/ Housing Association), will have an Emergency Response phone number, and be liable for the regular maintenance of their combustion appliances(Gas/LPG/Oil/ Solid Fuel).

Further Information for Caravan and Boat Owners

The following can lead to carbon monoxide being produced:

- Using LPG cooking appliances for space heating
- Leaving LPG appliances on overnight
- Barbecues within the boat cabin or near a caravan door (e.g. under an awning)

13. Cleaning Your Alarm

Your Alarm Should be Cleaned at Least Once a Year

You can clean the interior of your alarm by using compressed air or a vacuum cleaner hose and blowing or vacuuming through the openings around the perimeter of the alarm. The outside of the alarm can be wiped with a damp cloth. Use only water to dampen the cloth, use of detergents or cleaners could damage the alarm.


If the alarm is in Fault mode, the alarm may be in need of cleaning. After cleaning, press the test button. If the fault does not clear, the alarm needs to be replaced.

- Never use detergent or other solvents to clean the unit.
- Avoid spraying air freshener, hair spray, or other aerosols near the alarm.
- Do not paint the unit. Paint will seal the vents and interfere with the sensor's ability to detect CO.
- Keep away from nappy buckets.
- Never attempt to disassemble the unit to clean inside. Altering the alarm in any way may lead to a risk of electric shock or prevent it from functioning correctly. This action will void your warranty.
- The following substances can affect the CO sensor and may cause false readings and damage to the sensor: Methane, propane, isobutane, iso-propanol, ethyl acetate, hydrogen sulfide, sulfide dioxides, alcohol based products, paints, thinner, solvents, adhesives, hair spray, aftershave, perfume, and some cleaning agents.

NOTE: there could be other compounds occurring within a particular household which could cause similar effects.

- Move the Alarm and place in another location prior to performing any of the following:
 - Staining or stripping wood floors or furniture
 - Painting
 - Wall papering
 - Using adhesives

Storing the unit in a plastic bag during any of the above projects will protect the sensors from damage. When household cleaning supplies or similar contaminants are used, the area must be well ventilated.

 WARNING: REINSTALL THE ALARM AS SOON AS POSSIBLE TO ENSURE CONTINUOUS DETECTION.

14. Service and Warranty

Ten-Year Limited Warranty

Warranty

Kidde Australia Pty Ltd ("Kidde") warrants to the original consumer purchaser that each new CO alarm will be free from defects in materials and workmanship under normal use for a period of 10 years from the date of purchase. To the extent permitted by law, Kidde agrees to repair or replace (at our discretion) any defective product on presentation of the proof of purchase.

Australia warranty claims:

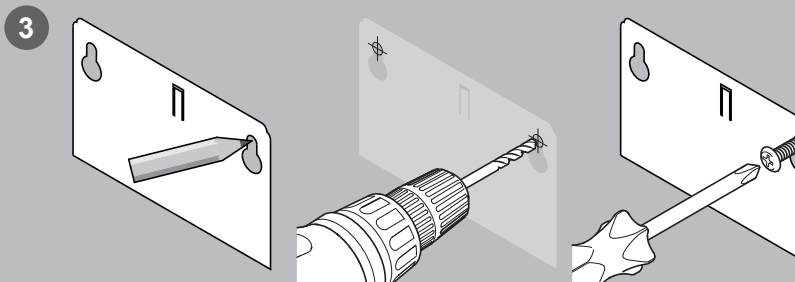
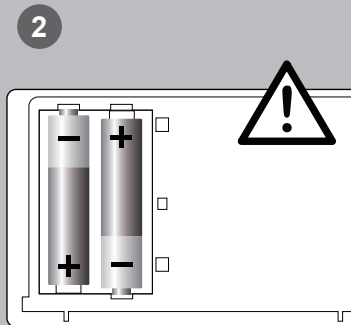
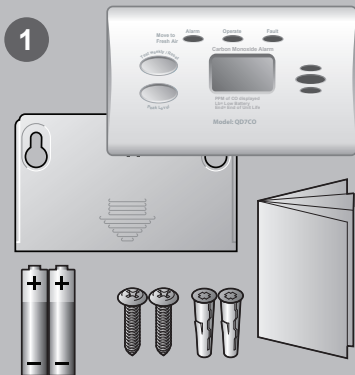
Where the goods are offered for sale in Australia, the benefits to the consumer given by this warranty are in addition to other rights and remedies of the consumer under the Australian Consumer Law and other applicable laws relating to the goods. Our goods come with guarantees that cannot be excluded under the Australian Consumer Law. You are entitled to a replacement or refund for a major failure and compensation for any other reasonably foreseeable loss or damage. You are also entitled to have the goods repaired or replaced if the goods fail to be of acceptable quality and the failure does not amount to a major failure.

Exclusions

Subject to non-excludable laws, this warranty does not cover:

- normal wear and tear to the product or parts
- batteries or other consumables included with this product(excluding sealed non replaceable battery models)
- damage to the product caused by accidents, misuse, abuse, lack of reasonable care, tampering or repair by a person not authorised by Kidde.

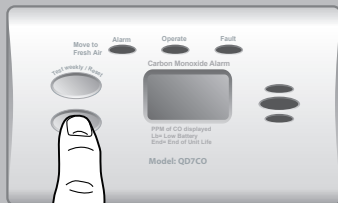
Quick Start Instructions



Model: Q7DCO

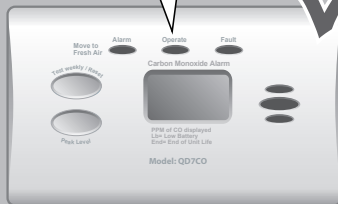
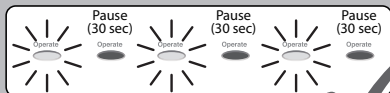
(Model Q7DCO shown)

4



BEEP - BEEP - BEEP - BEEP
BEEP - BEEP - BEEP - BEEP
BEEP

5





Useful Contact Information

Quell Website Australia: www.quell.com.au

Address Kidde Australia Pty Ltd
ABN 68 006 252 428
10 Ferntree Place
Notting Hill, Vic, 3168

Telephone 1800 654 435