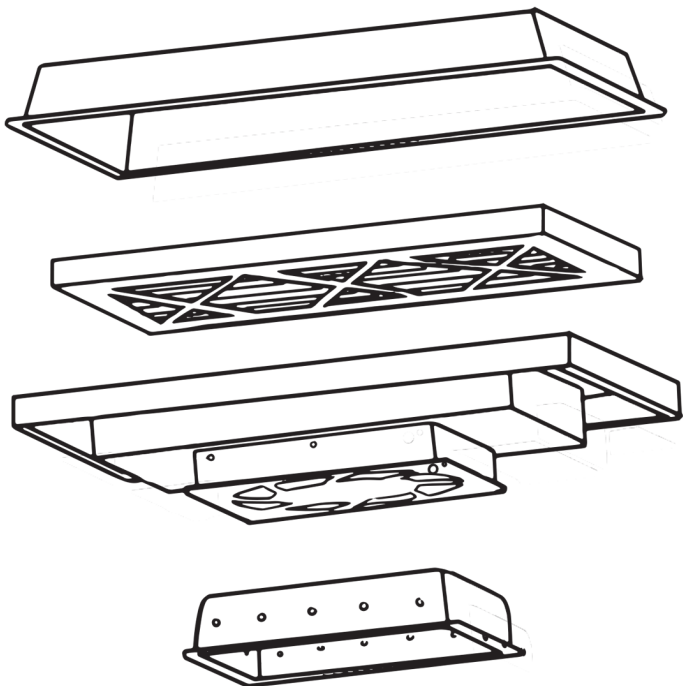


1. THE COMPONENTS OF THE CARAFAN



PREPARATION

Make sure there is unrestricted, safe access to the roof install location.

The location for the installation should not interfere with any wiring.

Determine if the installation will use an existing opening or if the installation will require a new opening to be made.

In the case of an existing opening skip to "USING AN EXSISTING OPENING" step.

Continue to "CREATING AN OPENING"

! IS RECOMMENDED ANY ALTERATIONS TO THE STRUCTURE OF A CARAVAN ARE CONDUCTED BY AN ACCREDITED CARAVAN; INSTALLER, MANUFACTURER, OR REPAIRER.

CREATING AN OPENING

Select an internal location for the unit that will allow free airflow into the entirety of the caravan.

Mark out the corresponding location of the roof of the caravan.

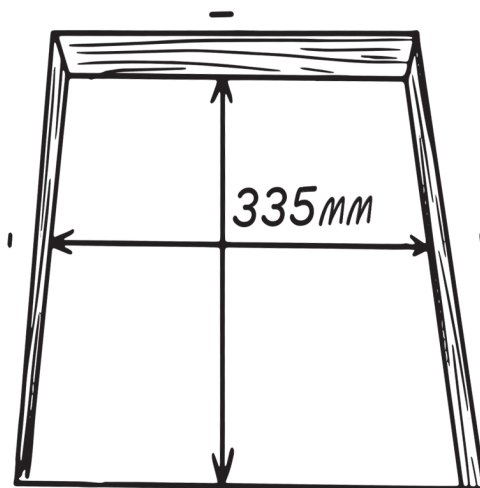
The opening should be 355X355mm to accommodate the CaraFan's internal dimensions

Cut the opening using appropriate tools.

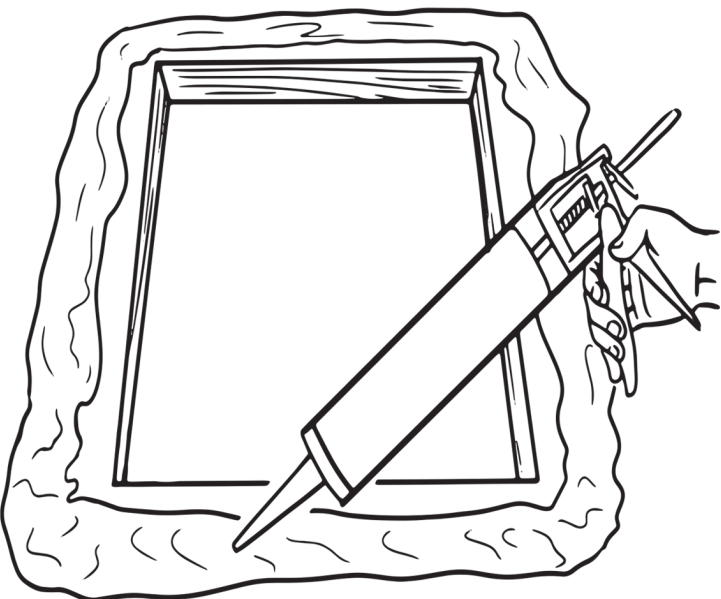
Ensure the roof is reinforced appropriately to support the unit.

Proceed to "USING AN EXSISTING OPENING"

2. EXTERIOR: PREPARE AND REINFORCE THE OPENING



3. EXTERIOR: WATERPROOF THE CARAVAN ROOF



USING AN EXSISTING OPENING

Prior to fixing the CaraFan into place, place the CaraFan body into the opening. Check the depth of the garnish to ensure it fits flush or slightly retracted into the ceiling.

If it sits proud of the ceiling it may require a custom-made spacer to suit the thickness of the ceiling cavity.

Waterproof around the exterior face of the opening for the CaraFan. This should be done with an appropriate waterproof silicone. This needs to create a waterproof vbarrier so apply carefully to ensure there are no gaps.

4. EXTERIOR: PLACE CARAFAN IN OPENING AND INSTALL THE FILTER

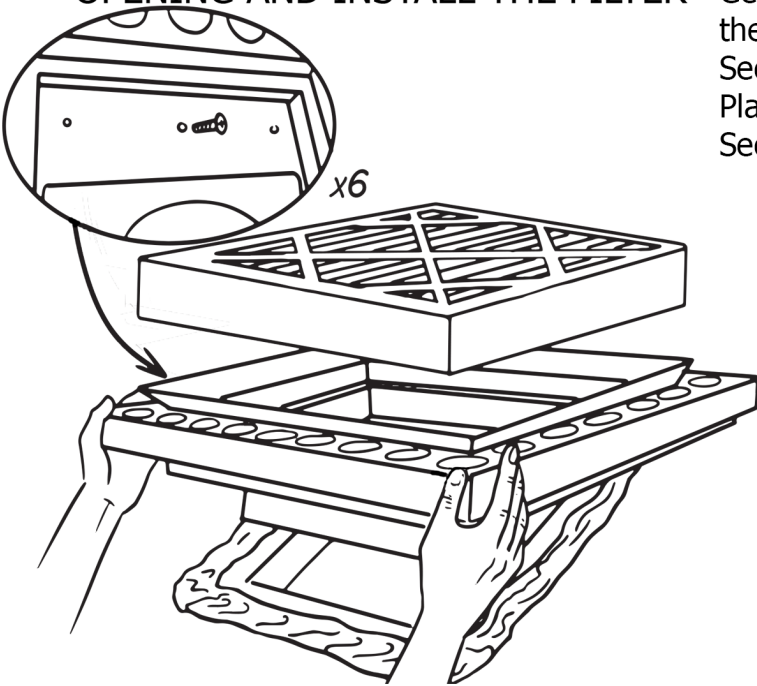
FINISH EXTERIOR INSTALLATION

Gently place the CaraFan into the roof, sitting it onto the bedding of silicon.

Secure the CaraFan into place with fixing screws.

Place the filter CP70013 filter into the Carafan.

Secure the CaraFan Cover using all provided screws.

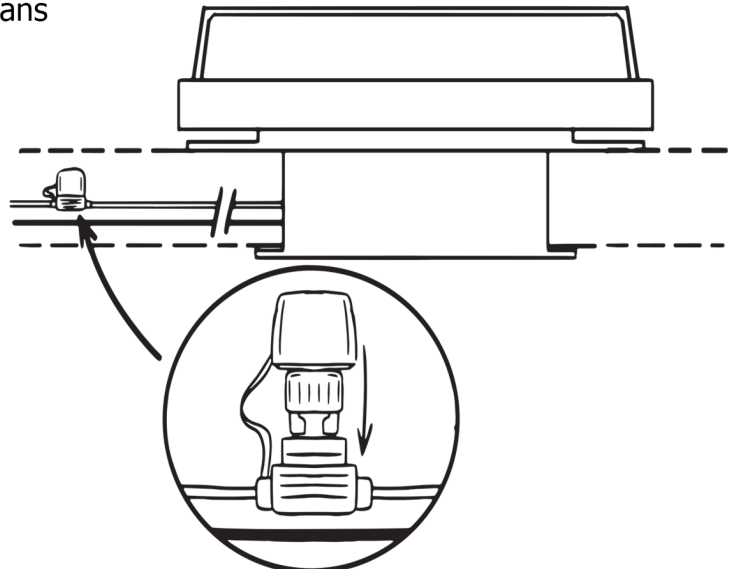


CAUTION: DISCONNECT MAIN VEHICLE POWER PRIOR TO INSTALLATION. CARAFAN IS A 12V SYSTEM AND INCORRECT INSTALLATION MAY CAUSE DAMAGE OR INJURY

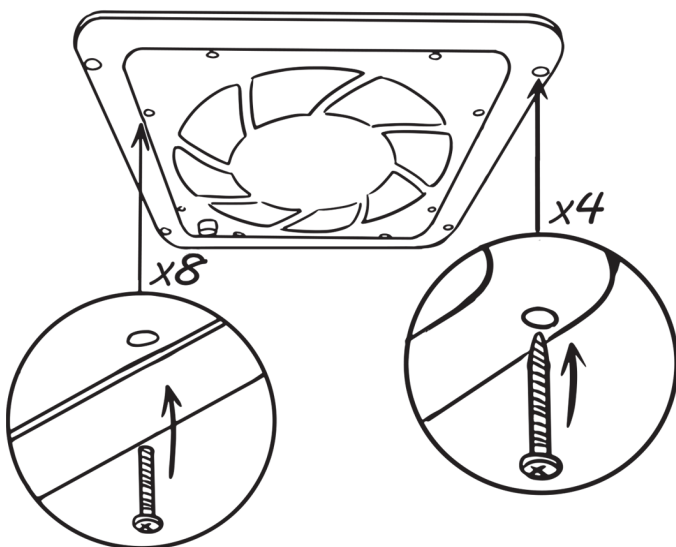
CONNECT CARAFAN TO POWER

Using insulated connection terminals connect the CaraFans 12V power wires to the vehicle/caravans power. Make sure wire are neatly stored and will not interfere with the function of the fan.

5. EXTERIOR: INSTALL INLINE FUSE



6. INTERIOR: ATTACH GARNISH AND TEST



INTERIOR FITTING

Reconnect power to the fitting.

Test the CaraFan's operation by using the switch on the interior panel.

The light on the switch will come on and the fan should begin to pick up speed. After a few minutes of operation, you should feel air escaping through dust ingress points. Fridge vents are a good place to test. Place the garnish into position.

NOTE IT IS RECOMMENDED THAT INSTALLATION OF THE CARAFAN IS CONDUCTED BY AN ACCREDITED CARAVAN; INSTALLER, MANUFACTURER, OR REPAIRER.