

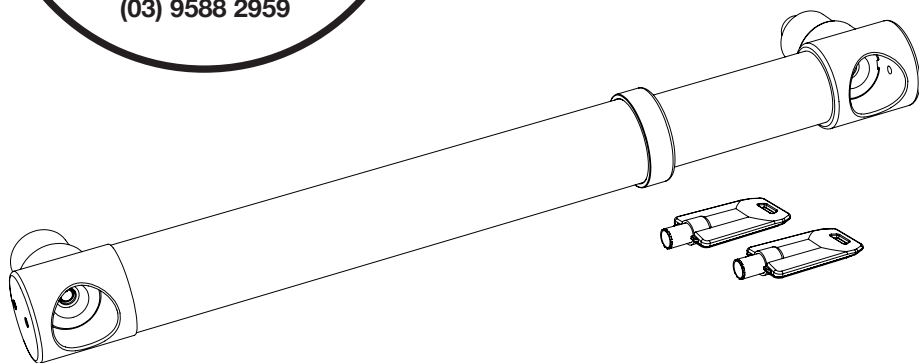
REGISTER NOW TO
ACTIVATE YOUR

2 YEAR
WARRANTY*

www.purpleline.com.au
(03) 9588 2959

Twin Axle Wheel Lock

PRODUCT CODE: **FGT400**



TWIN AXLE WHEEL LOCK

Installation guide and user manual

*WARRANTY REGISTRATION MUST BE COMPLETED WITHIN 14 DAYS OF PURCHASE

PARTS IDENTIFICATION & FITTING DIAGRAM

Fig. A

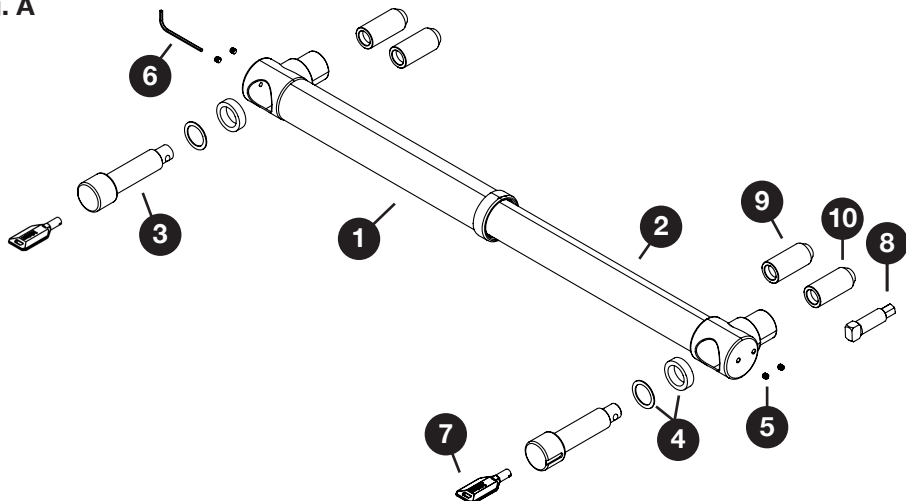
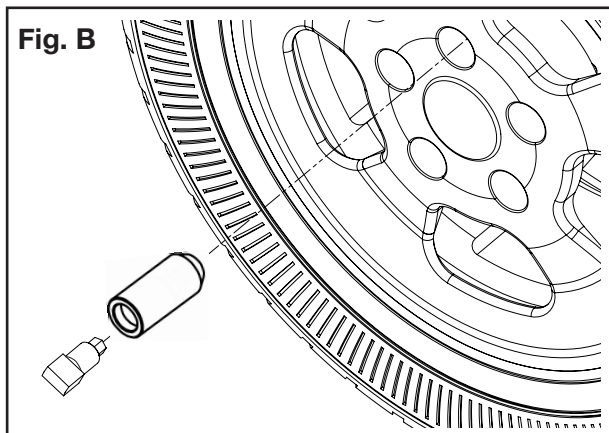
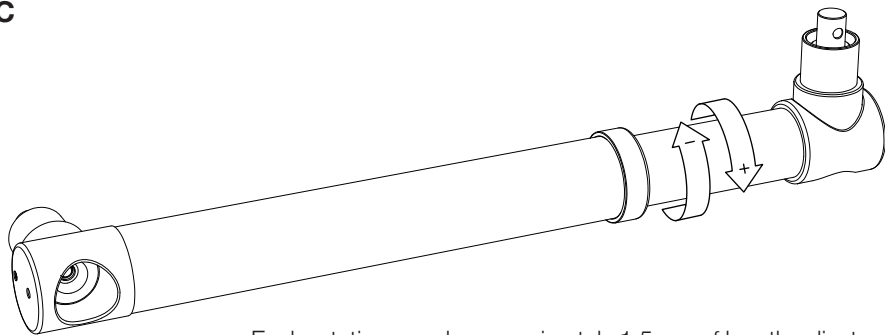


Fig. B



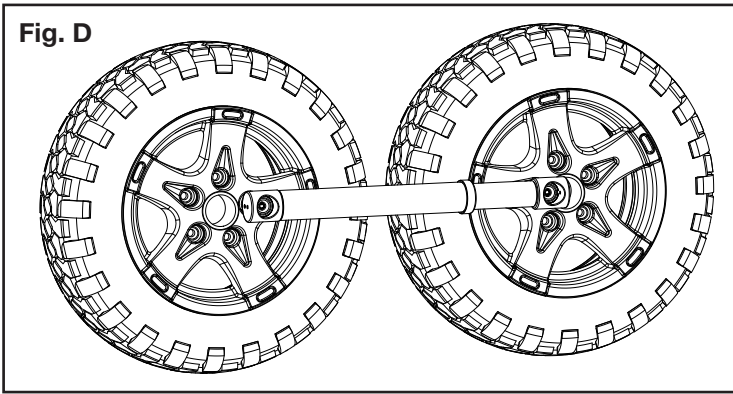
1. Outer Tube
2. Inner Tube
3. Locking Portion (x2)
4. Spacer Ring (x26)
5. Locking Portion Hex Screw (x4)
6. 3mm Hex Key
7. Key (x3)
8. 20mm Wheel Wrench Adapter
9. 1/2" Receiver Wheel Nut (x2)
10. 9/16" Receiver Wheel Nut (x2)

Fig. C



Each rotation equals approximately 1.5mm of length adjustment.

Fig. D



INSTALLATION

The FullStop® Gemini Wheel Lock is designed to secure twin axle caravans and trailers by locking onto both axles via replacement wheel nuts. Fixed securely to both axles, the Gemini prohibits normal wheel rotation and consequent movement of the vehicle.

1. Before the product can be used, two of your existing wheel nuts must be removed and replaced with Receiver Wheel Nuts (9 or 10). These replacement nuts have been designed to fit the majority of caravan and trailer wheels, however, please check that your existing wheel nuts are of the same specification. The sizes of the supplied Receiver Nuts (9,10) are 1/2"-20 and 9/16"-18. If in any doubt consult the vehicle manufacturer or wheel supplier BEFORE installation as it is possible to damage the hub of the vehicle if the screw threads do not match.



To fit the two necessary receiver nuts (9,10), two of your existing wheel nuts will first need removing. When choosing which two to remove, opt for the inner most wheel nuts on each wheel (see Fig.D and Fig.E for guidance). Where the Gemini Wheel lock can be fitted to any two wheel nut locations, this positioning is the optimum for initial installation.

Receiver Wheel Nuts (9,10) can be fitted using the Wheel Wrench Adapter (8) which enables you to use a standard 19mm wheel wrench (see Fig.B). The Receiver Nuts (9,10) should be tightened to the correct torque setting for your wheels.



Do not over-tighten or use an impact wrench on receiver wheel nuts. Check your Owners Manual for details or consult a qualified technician.

INSTALLATION (CONT.)

2. To prepare the Gemini for fitting, the required length must first be determined and adjusted accordingly. To do this, both Locking Portions (3) will need installing for use as guides. Using Fig.A for reference, install the Locking Portions (3) into apertures in the head of both the Outer (1) and Inner Tubes (2). Each Locking Portion (3) can then be secured in place by tightening the Locking Portion Hex Screw (5) using the supplied 3mm Hex Key (6)(see Fig.A for reference).

Next, hold the device up to the wheels, and line the Locking Portion (3) in the head of the Outer Tube (1) up with the Receiver Nut (9,10) in one of the wheels. From here, gauge whether the length of the Gemini needs to be longer or shorter to allow the Locking Portion (3) in the head of the Inner Tube (2) to line up correctly with the Receiver Nut (9,10) in the second wheel (see Fig.F for guidance).

To adjust the length of the Gemini Wheel Lock to suit your vehicle, grip the Outer Tube (1) in one hand, and proceed to rotate the Inner Tube (2) in the desired direction (see Fig.C). Use the arrow graphic on the product for reference. Whilst adjusting the length of the Gemini, periodically offer the assembly up to the Receiver Bolt (9,10) in order to correctly judge the required length. Each 360° rotation of the Inner Tube (2) is approximately equal to 1.5mm of length adjustment within a fitting distance range of minimum 510mm and maximum of 825mm (distance between centre of receiver wheel bolts).

NOTE: When shortening the length of the Gemini, ensure that if resistance is met, you do not continue to attempt shortening. This has likely occurred as the minimum length has been met. If in this state the assembly is too long, consider relocating the position of your Receiver Wheel Nuts (9,10) to allow for a wider installation length.

3. Before using the device it may be necessary to add Spacer Rings (4) to ensure that, when fitted, the ends of the locking portion tubes are as tight as possible to the face of the wheel when the Locking Portion (3) is locked into a Receiver Nut (9,10). To check this, first fit both sets of keys (7) into their respective Locking Portions (3) and rotate them through 90° clockwise to release the locking ball bearings.

Offer up the assembly to the Receiver Nuts (9,10), guiding the end of the Locking Portions (3) in as far as they will go. Lock them together by rotating the keys (7) anti-clockwise through 90°, then remove both keys (7). The aim at this stage is for the heads of both the Inner (2) and Outer Tubes (1) to be as tight as possible to the face of the wheels, when the Locking Portions (3) are locked into the Receiver Nuts (9,10). Achieving this will mean that the Gemini will be most effective; protecting and preventing access to the Receiver Nuts (9,10) when locked in place. (Fig.G)

If there is a gap, or the assembly can be pulled away from the face of the wheel, making the Receiver Nuts (9,10) visible, then Spacer Rings (4) must be used. Try to gauge the amount of gap and add the necessary amount of Spacer Rings (4) between each Tube (1,2) and respective Locking Portion (3) as shown in Fig.A. Always add an equal sum of spacer rings (4) to each Tube (1,2). To fix these in place, use the supplied 3mm Hex Key (6) and tighten the Locking Portion Hex Screws (5) into the most applicable of the two available holes in each Tube (1,2) (see Fig.H). The Hex Screws (5) should be tightened to the bodies of the Locking Portions (3) to correctly secure the spacer rings (4) in place.



INSTALLATION (CONT.)

4. The Gemini Twin Axle Wheel Lock is now ready for use (Fig.I). Please check Receiver Nut (9,10) torque setting after the first 100 kilometres (approx) and at regular intervals thereafter.

During general use, the length of the Gemini Wheel Lock may need adjustment to suit various receiver nuts locations. In these cases, adjust in the same manner as during set up (Fig.C). Once installed as per this manual, elements such as the Spacer Rings (4) and Receiver Nuts (9,10) fitting should not require amendment, except for maintenance purposes.



NOTE: In use, some wheel rotation will occur before the Gemini Wheel Lock fully immobilises both axles, thus preventing movement of the vehicle.

TIP: To reduce the amount of length adjustment required between each use, it is possible to add a second Receiver Nut (9,10) onto each wheel. When doing this, we advise locating the second Receiver Nut (9,10) in opposing positions to the original Receiver Nut (9,10); this will allow for a wider range of fitting positions. As per section 1 of this manual, the lock body should still be fitted to the closest two Receiver Nut (9,10) to prevent excess unwanted wheel rotation.



We do not recommend replacing any more than two wheel bolts on any given wheel.

MAINTENANCE

Grease the lock face and ball bearings before first use, with a light oil such as 3-IN-ONE or equivalent. Thereafter spray any moving parts of the lock body with a light oil such as 3-IN-ONE or equivalent every eight weeks.

Any light scuffs on the gloss surface of the body can often be buffed out with a cloth.

PRODUCT REGISTRATION

Please store your keys in a safe place and remember to register your product.

Registration is quick and simple, go to www.purpleline.com.au

Please register within 14 days of purchase. Please retain your original purchase receipt.

PRODUCT SPECIFICATION

FGT400				
Weight	Height	Width	Depth	Keys Supplied
6.5kg	550mm	60mm	100mm	3

Disclaimer

If used properly, your FullStop[®] product will be an effective deterrent. However, nothing can stop the efforts of the most determined thief, and to this end no liability is accepted for any loss and/or damage caused by any illegal activity including theft or vandalism. Liability also not accepted for any loss and/or damage arising from misuse, unauthorised repair or alteration and failure to follow the user guide directions. No form of consequential loss what so ever will be accepted.

