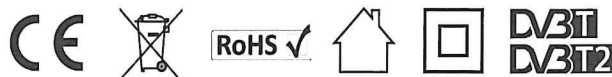


MILENCO POWER 900L

Caravan Antenna System
(Australian Version)

**OMNIDIRECTIONAL -
NO NEED TO ROTATE**



Product Features

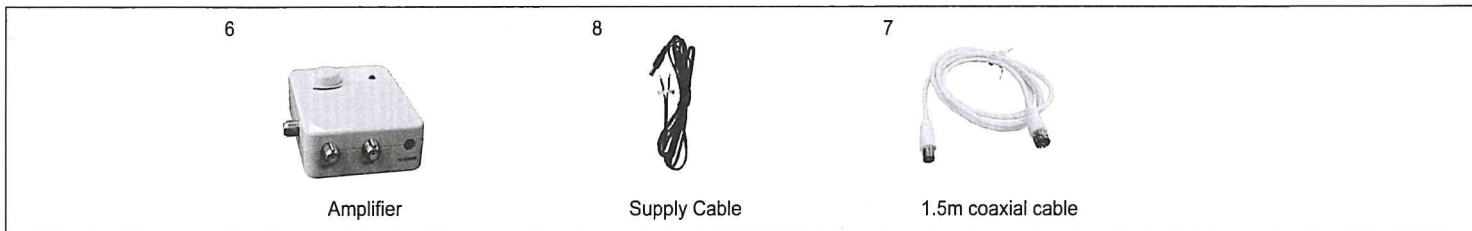
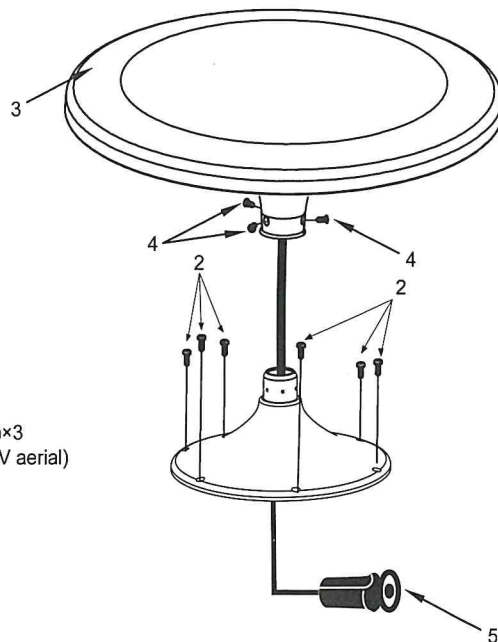
Specially compatible with HDTV of various digital terrestrial signal (DVB-T, ISDB-T, DMB-T/H, ATSC) and AM/FM radios.
The antenna is made from high quality materials and is designed to give years of reliable service in all weather and environmental conditions.
Build-in high gain and low noise amplifier, shielded for minimum interference.
Waterproof housing design made of UV resistant, injection moulded ABS material with super durability.
Omnidirectional antennas receive AM/FM,VHF, UHF signal from every point regardless of the direction you are travelling.
The best digital terrestrial TV reception solution for your boating and caravans/Boat
The high quality Amplifier has SMD technology and micro-electronics to ensure excellent Antenna performance.

Technical Specification

Frequency range: (LTE Version)
AM:520-1719KHz
VHF:47-230MHz
UHF:470-694MHz
Receiving range:AM/FM/VHF/UHF
Gain: 38dB
Noise figure: 3dB
Max. output level:110dBμV
Impedance: 75Ω
Connector: F-connectors
Power supply: DC 12/24V

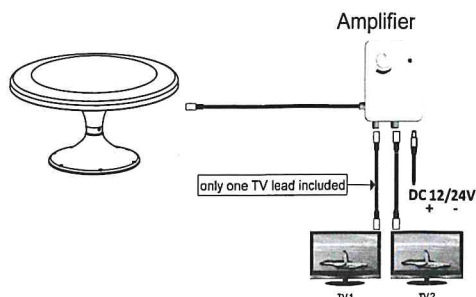
Included in Packaging

1. Plastic base×1
2. Stainless screws (For the Base installed on the roof)×6
3. Antenna×1
4. Stainless screws (For connecting the Antenna with the Base)×3
5. Antenna coaxial cable (1.1m with F connector, inbuilt in the TV aerial)
6. Amplifier×1
7. 1.5m coaxial cable ×1
8. Supply Cable



Installation Guide:

Carefully plan the location of your Antenna(3) on the roof of your Caravan/Boat considering everything including locker position and cable runs.
Using the Base (1) as a template, mark out the position of the 6 mounting holes and the central cable hole.
Use a 3.5mm drill for the mounting holes and a clearance drill for the cable hole.
Drill the 6 mounting holes and the central cable hole.
Apply a generous bead of high quality sealant to the outer ring on the underside of the plastic base.
Position and align Base (1) over screw mounting holes and ensure you can pass the Antenna cable (5) through the cable hole.
Screw down the Base with the 6 screws (2). then seal the screw holes with sealant.
Pass Antenna cable (5) through central hole, fit Antenna Top (3) to Base (1), secure with the 3 screws(4).
Connect the Antenna cable to the Amplifier(6)
Connect the 1.5 meter coaxial cable(7) from Amplifier output connector to TV.
Adjust the Amplifier Gain for best signal reception.



Once the antenna and power supply have been installed and all cables have been properly connected, you must run a channel scan before watching TV in order to receive maximum programs. Run a channel scan as once the antenna is moved or the TV loses a channel. Now you can enjoy the TV program after you finish running a channel scan.