

# BUSHRANGER

4x4 GEAR

5 YEAR  
WARRANTY



WHEELIE BIN

# **BUSHRANGER**

---

## **4x4 GEAR**

Congratulations on your purchase of the Bushranger® Wheelie Bin. To take full advantage of this product, please read this manual carefully before using. Retain this manual for future reference for installation and warranty.

## **Features**

### **Great for**

- Garbage and Rubbish.
- Wet and muddy recovery gear.
- Dirty clothes and boots.
- Wetsuits, towels and beach gear.

### **Keep your dirty gear and rubbish outside**

- Keeps your rubbish away from wildlife.
- 57 litres of storage + 2 x 5 litre mesh side pockets.
- Removable divider provides two separate 28 litre compartments for dual usage.
- 3 vented drain holes in the base to allow liquids to drain and makes hosing clean a breeze.
- 4 buckles for easy access to the main compartment.
- 1 buckle for easy access to each of the mesh side pockets.

### **Easy to use**

- 50mm harness mounting system with snap-lock buckles.
- 3 possible mounting styles for different vehicles and applications.
- Suits most vehicles with rear mounted spare wheel.
- Center divider to keep contents separate.

### **Built to last**

- Especially manufactured and reinforced 1000D material.
- Double thickness and padded base and partial side walls.
- 50mm webbed mounting straps.
- UV tested in Australia by a certified laboratory to AS2000.2.3.1-01.
- Highly reflective strip for increased visibility of your vehicle.

## Care and fitting guidelines

The Bushranger Wheelie Bin is normally strapped to vehicles with a rear mounted spare wheel. Adjustable pull-straps allow the "Wheelie Bin" to suit most vehicles.

**Note:** For clarity purposes, some images included with these instructions are shown with the wheel removed from the vehicle.

### Care & Maintenance

- Ensure Wheelie Bin is not stored in direct sunlight or wet / humid environments.
- Do not expose Wheelie Bin to any petroleum-based, acids or alkaline products.
- Clean Wheelie Bin regularly with a non-abrasive sponge or similar in warm water and pH neutral car washing liquids only. Allow to dry in the shade to preserve shine and promote longevity.
- Always ensure Wheelie Bin is dry prior to being stored.

### Before First Use

- Check local laws and regulations before attaching any external components onto your vehicle.
- Confirm the spare wheel is suitable for mounting of this product (fully laden) with the vehicle manufacturer and the manufacturer of any aftermarket wheel carrier installed before using this product.
- Always consider the additional stresses from the environment and application in determining if the product can be used.

### WARNING

- **Avoid carrying sharp objects (including broken glass).**
- **Avoid carrying harmful chemicals/oils.**
- **Never carry hot materials .**

### Vehicle

- Prior to strapping the "Wheelie Bin" to a rear mounted spare wheel, check that all wheel nuts are tightened to the correct torque.
- Do not reduce visibility of the licence plate in anyway.

### Product

- Always check lid is completely buckled closed before driving.
- Regularly check buckles and straps are secure when driving.

### Safety & Inspection

Prior to using the Wheelie Bin or any of its components inspect for damage.

### Damage may include:

- Evidence of heavy impacts.
- Cuts and abrasions.
- Badly worn
- Seam damage
- Deformation

## Fitting Guidelines

### Step 1

Position the Wheelie Bin over the wheel and the horizontal bracing strap should be snug across the top edge of the tyre.



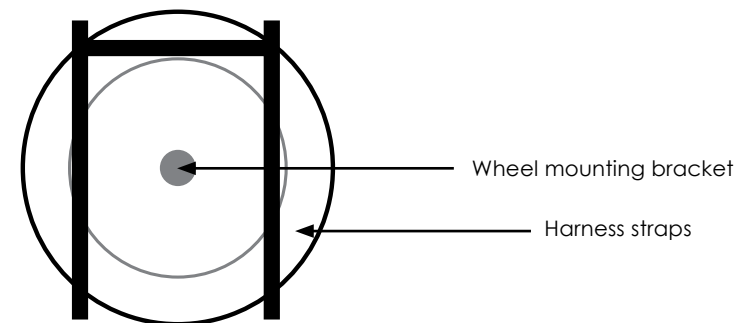
### Step 2

Arrange the Harness (webbing straps) so that the straps go behind the wheel.

There are several methods in which the "Wheelie Bin" may be strapped to a vehicles spare wheel dependent upon the users' preference.

### Method 1: Vertical (Classic) method:

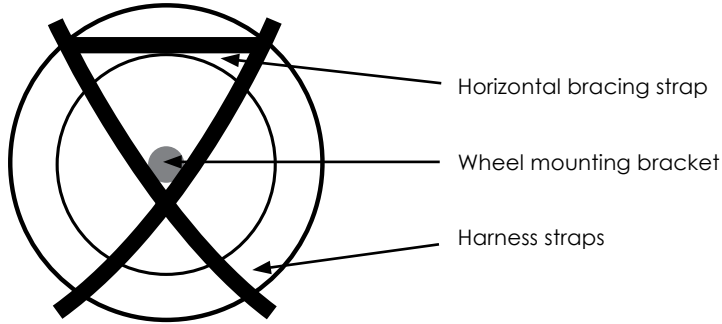
The harness straps are in a vertical position.



View from behind the wheel

**Method 2: Cross over method:**

The harness straps are crossed over under the spare wheel mounting bracket.



**View from behind the wheel**



Check that the wheel mounting bracket will not damage the straps and the straps will not damage the vehicle.

Step 3

Engage both buckles.



Step 5

Tighten both pull straps so that both buckles are secure.



Step 4

Tighten both pull straps so that both buckles are snug against the tyre.



Step 6

Check to ensure that harness and bag is snug on the wheel. Check both buckles are firmly engaged and secure. Excess straps may be loosely tied together to stop flapping or dragging.



**1. Our Warranty**

We warrant to you that the Kingsley product is free from defects in workmanship and materials for the warranty period.

**2. Fitting and use**

Please ensure you:

- a. fit the Kingsley product in accordance with the product information and all relevant vehicle safety and compliance laws
- b. use the Kingsley product for the purpose for which it was originally designed and in accordance with the product information and all relevant vehicle safety and compliance laws

**3. Exclusions**

Our warranty doesn't cover:

- a. normal wear and tear
- b. fitting the Kingsley product other than in accordance with the product information and any relevant vehicle safety and compliance laws, including incorrect fitting
- c. using the Kingsley product other than for the purpose for which it was originally designed or other than in accordance with the product information and any relevant vehicle safety and compliance laws, including unusual, improper or negligent use or misuse or overloading
- d. misuse or neglect of the Kingsley product, including improper repair or maintenance or failing to repair or maintain
- e. alteration, abuse, acts of nature, terrorism, vandalism, collision, road hazards or adverse conditions

**4. Making a claim**

Please immediately contact us as soon as you become aware of a possible defect in the Kingsley product. We'll arrange for you to either attend a Kingsley outlet (at your cost) for a Kingsley representative to inspect the Kingsley product (as fitted to your vehicle) or for you to return the Kingsley product to us. We'll also request you to provide the purchase receipt and complete a warranty claim form. In order to ensure our warranty is not voided, please keep the purchase receipt as proof of purchase and don't remove the fitted Kingsley product from your vehicle before contacting us. If your claim's in order, we'll notify you and (at our sole discretion) either repair or replace the defective workmanship or materials (at our cost) or refund to you the purchase price you paid for the defective Kingsley product. If further information or investigation is required or if the claim does not meet the requirements under our warranty, we'll let you know.

**5. Australian Consumer Law**

The Kingsley product comes with guarantees that can't be excluded under the Australian Consumer Law. You're entitled to a replacement or refund if there's a major failure and compensation for any other reasonably foreseeable loss or damage. You're also entitled to have the Kingsley product repaired or replaced if it fails to be of acceptable quality and the failure doesn't amount to a major failure.

**6. Other consumer rights**

The benefits to you under our warranty are in addition to any other rights and remedies you are entitled to under relevant consumer laws. Our warranty replaces any other warranty given by Kingsley or it's supplier in respect of the Kingsley product.

**7. Terms**

The following terms have the following meanings:

Term	Meaning
Product information	information about the Kingsley product which may be contained in any of the documentation provided with the Kingsley product, including safety instructions, installation instructions, operating instructions, owner's manual, service manual, labels and packaging
Purchase date	the date you purchased the Kingsley product from a Kingsley outlet, as specified in the purchase receipt
Kingsley outlet	an outlet authorised by Kingsley to sell Kingsley products
Kingsley products	products or components which Kingsley manufacturers or sells through Kingsley outlets
Warranty period	commences on and from the purchase date and ends as follows: <b>Wheelie Bin - 5 years</b>
We/Us	Kingsley Enterprises Pty Ltd (ABN 23 001 592 749) E: sales@kingsleyenterprises.com.au A: 6A Brooks Road, Ingleburn NSW 2565 P: 1800 654 767 W: www.kingsleyenterprises.com.au
You	the purchaser of the Kingsley product from a Kingsley outlet

# **BUSHRANGER**

---

**4x4 GEAR**

[bushranger.com.au](http://bushranger.com.au)



Free Call | 1800 654 767 (Australia only)

International | +61 2 8700 0400

Fax | +61 2 8700 0499

Email | [sales@kingsleyenterprises.com.au](mailto:sales@kingsleyenterprises.com.au)

Address | 6A Brooks Road, Ingleburn NSW 2565