



2711

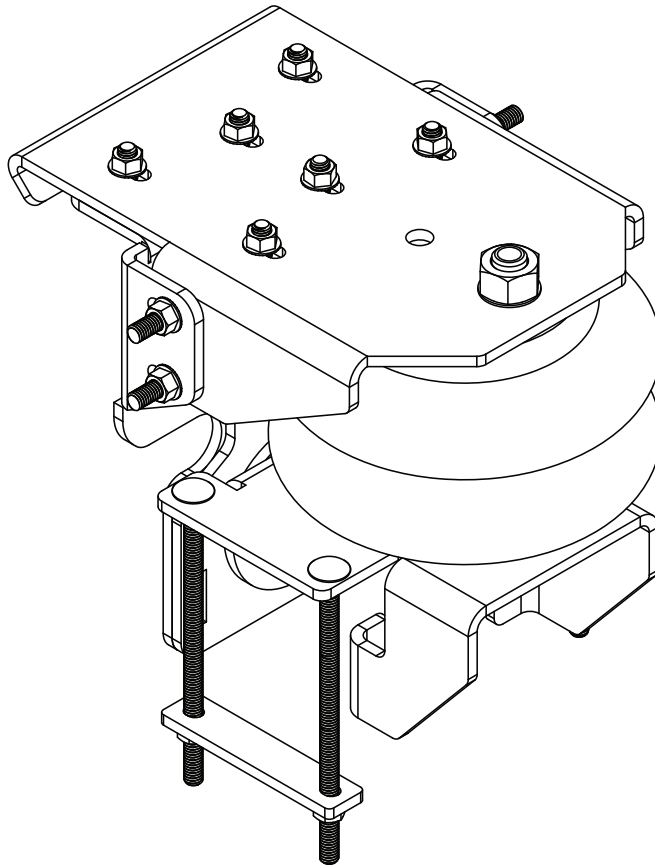
AIRIDE

firestoneairide.com

INSTALLATION INSTRUCTIONS



REQUIRED MINIMUM DISTANCE BETWEEN FRAME RAIL AND TIRE IS NINE (9) INCHES.
DO NOT INSTALL IF MEASURED DISTANCE IS LESS.



! IMPORTANT

PLEASE DON'T HURT YOURSELF, YOUR KIT OR YOUR VEHICLE. TAKE A MINUTE TO READ THIS IMPORTANT INFORMATION.

DO NOT INSTALL IF THE TRUCK HAS BEEN LIFTED AND THE STOCK JOUNCE BUMPER SPACERS ARE NOT ON THE VEHICLE.

SAFE INSTALLATION

Please take all safety precautions during installation. A hydraulic jack can fail, and if that happens, you can be seriously hurt, or worse, if you are relying on it to hold up the vehicle. If you use a hydraulic jack, secure jack stands in the appropriate locations and chock any tires still touching the ground.

Wear safety glasses or goggles. Your eyes may be lower than some parts and pieces, and you don't want to lose an eye.

Remove the possibility of any electrical issues by disconnecting the negative battery cable.

KIT CLEARANCE

There must be a minimum of 1/2" clearance around all installed components when the air springs are inflated and under a load. The air springs must flex and expand during operation, so the clearance keeps the kit from rubbing against parts of the vehicle.

VEHICLE GVWR

NEVER exceed the maximum load recommended by the vehicle manufacturer (GVWR). The GVWR can be found in your vehicle's owner's manual or on the data plate on the driver's side door. Consult your local dealership for additional GVWR specifications.

INFLATING THE AIR SPRINGS

When inflating air springs, add air pressure in small quantities, checking air pressure frequently. The air springs have much less air volume than a tire, so they inflate much more quickly.

PRESSURE TO LOAD

The air springs will support approximately 50 lbs. of load for each PSI of inflation pressure (per pair). For example, 50 PSI of inflation pressure will support a load of 2500 lbs. per pair of air springs.

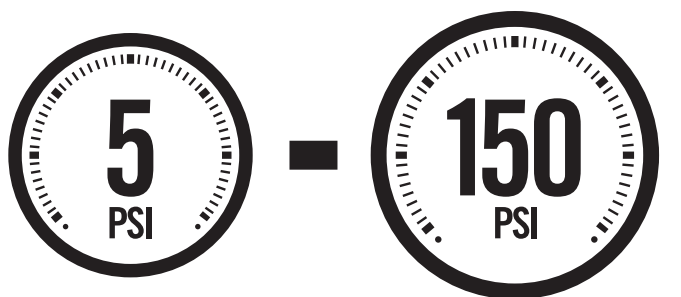
APPROPRIATE AIR PRESSURE

For best ride, use only enough air pressure in the air springs to level the vehicle when viewed from the side (front to rear). This will vary, depending on the load, location of the load, condition of the existing suspension, and personal preference.

OPTIONAL T-FITTING

This kit includes inflation valves and air line tube for each air spring, allowing you to compensate for unbalanced loads. If you prefer a single inflation valve system to provide equal pressure to both air springs, your dealer can supply the optional "T" fitting (Part # 3025 or WRI-760-3461 retail pack).

ONCE INSTALLED SUCCESSFULLY, FOLLOW THESE PRESSURE REQUIREMENTS FOR THE AIR SPRINGS:




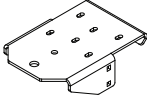

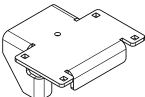



MINIMUM PRESSURE

MAXIMUM PRESSURE (LOADED)



PARTS

Compare the parts below to your kit. Assure you have all pieces, and organize them for an easier installation.

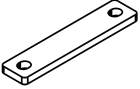

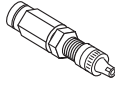








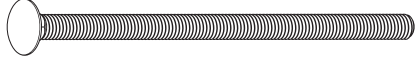



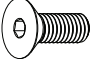


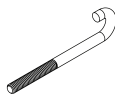
MAIN KIT CONTENTS

PT # 8401	 x2 AIR SPRING	PT # 5911	 x2 TOP BRACKET	PT # 5935	 x2 FRAME BRACKET
PT # 5910	 x2 LOWER BRACKET	PT # 5912	 x2 CENTER BRACKET	PT # 9153	 x1 AIR LINE TUBE (30 FEET)
PT # 5648	 x2 SPACER DISC				

A24-760-7560 INFLATION VALVE BRACKET KIT

PT # 9483	 x1 NO-DRILL INFLATION VALVE BRACKET	PT # 9488	 x2 LARGE NYLON TIE
-----------	---	-----------	---

A21-760-2711 HARDWARE PACK

PT # 5851	 x4 SPREADER BAR	PT # 3022	 x30 3/8" - 16 FLANGE LOCK NUT	PT # 3032	 x2 INFLATION VALVE AND VALVE CAP ASSEMBLY
PT # 3033	 x4 5/16" FLAT WASHER	PT # 3064	 x2 3/4" INTERNAL TOOTH LOCK WASHER	PT # 3046	 x2 1/4" PTC STRAIGHT FITTING
PT # 3045	 x4 5/16" - 18 FLANGE LOCK NUT	PT # 3518	 x2 5/16" - 18 x 1" FLAT HEAD SCREW	PT # 3488	 x10 3/8" - 16 NYLOCK NUT
PT # 3069	 x2 3/8" - 16 x 3/4" FLANGE BOLT	PT # 3295	 x2 3/4" - 16 HEX NUT	PT # 3484	 x4 3/8" - 16 x 7" CARRIAGE BOLT
PT # 3401	 x8 3/8" - 16 x 1.5" CARRIAGE BOLT	PT # 3501	 x4 3/8" - 16 x 5" CARRIAGE BOLT	PT # 9168	 x6 BLACK NYLON TIE
PT # 3514	 x20 3/8" - 16 x 1" FLAT HEAD SCREW	PT # 3493	 x4 3/8" FLAT WASHER	PT # 0899	 x2 THERMAL SLEEVE
PT # 3063	 x4 J-HOOK				

CONTENTS AND OVERVIEW

PAGE **4** MARK BRACKETS & CREATE UPPER BRACKET ASSEMBLY

PAGE **5** INSTALL LOWER BRACKET

PAGE **6** INSTALL UPPER BRACKET ASSEMBLY (NO-DRILL)

PAGE **7** INSTALL UPPER BRACKET ASSEMBLY (IF DRILLING)

PAGE **8** SECURE LOWER BRACKET ASSEMBLY

PAGE **9** HEAT SHIELD & PASSENGER SIDE

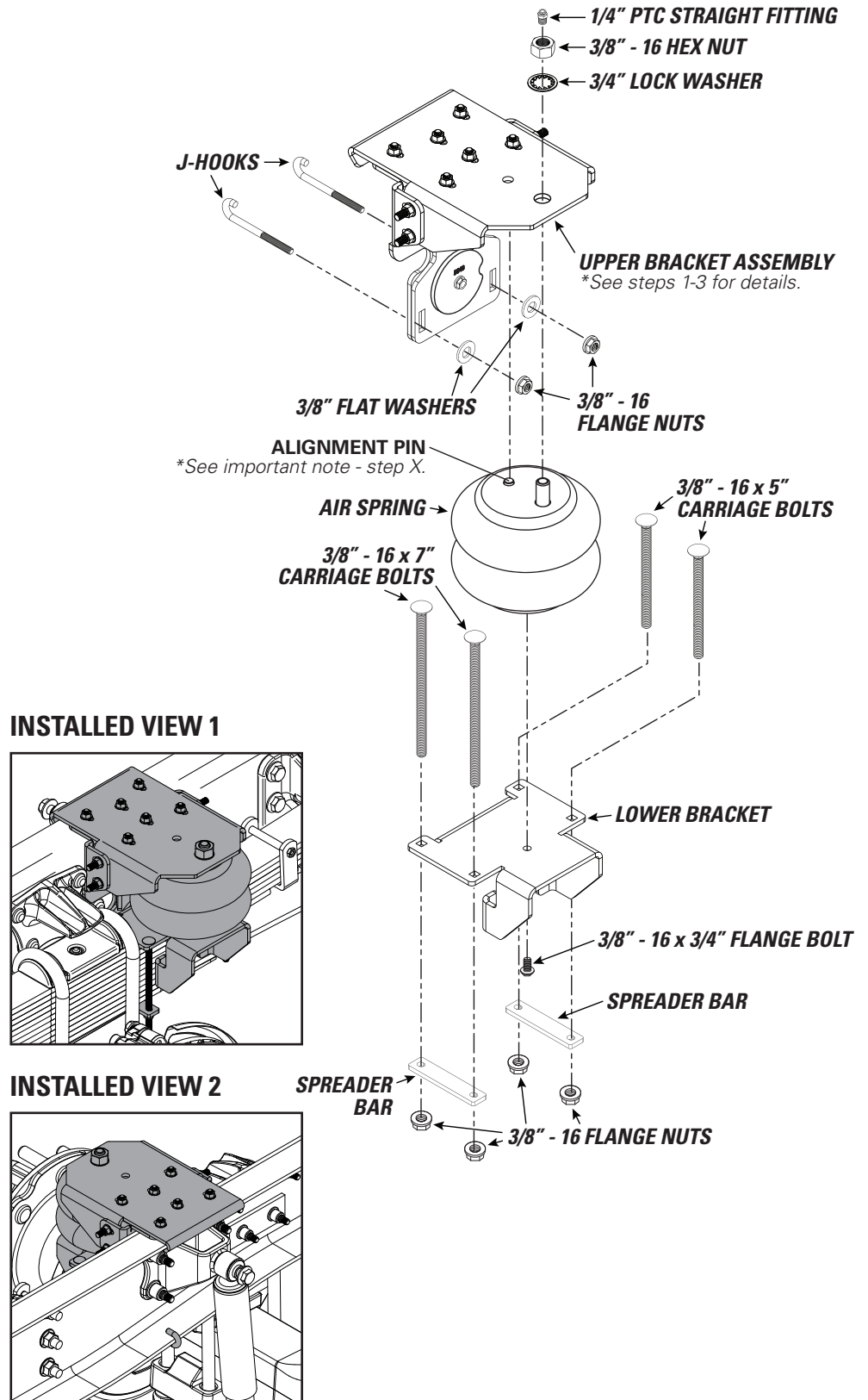
PAGE **10** AIR LINE TUBE & INFLATION VALVE INSTALLATION

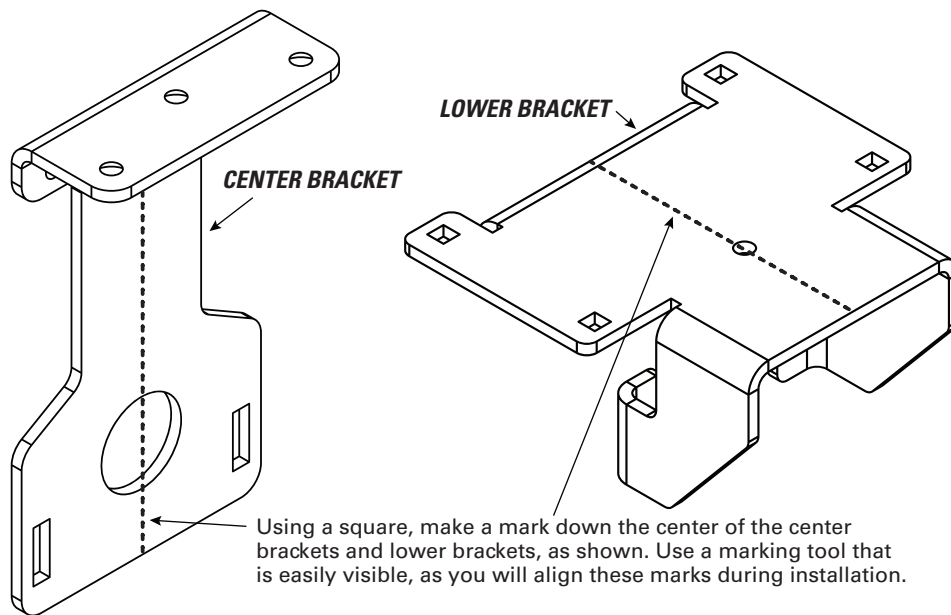
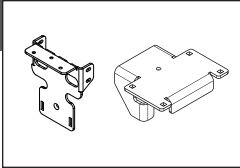
PAGE **11** INSTALL & ROUTE AIR LINE TUBE

PAGE **12** CHECKING THE SYSTEM

PAGE **13** FIXING AN AIR LEAK

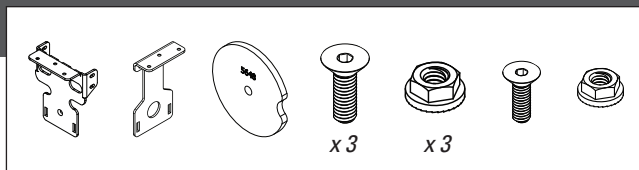
PAGE **14** FINISHING THE INSTALLATION



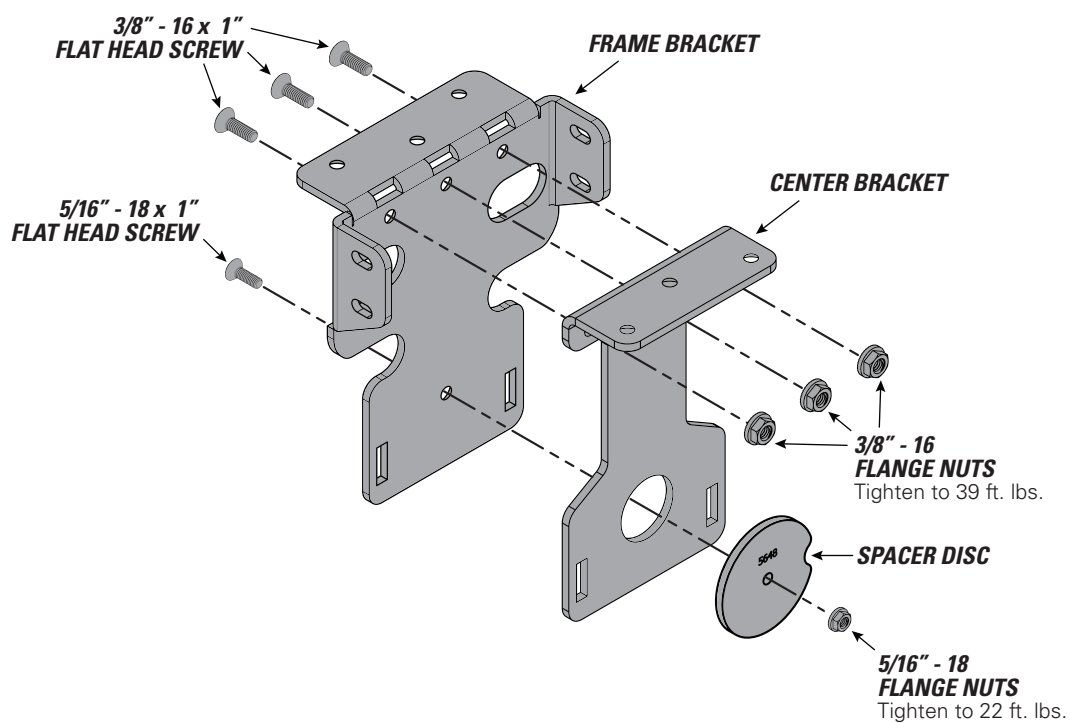


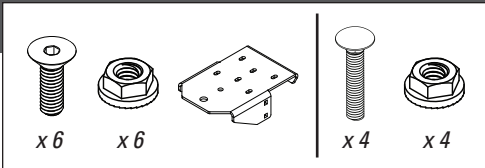
2

BEGIN UPPER BRACKET ASSEMBLY



1 Assemble the frame bracket and center bracket, as shown.

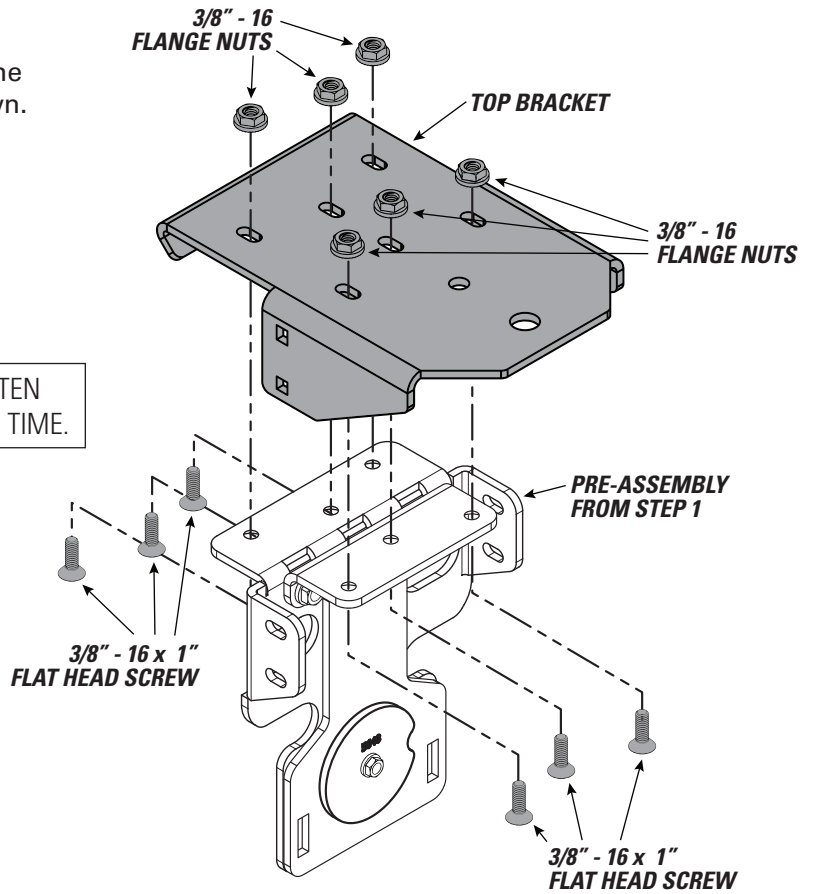




1 Create the upper bracket assembly by assembling the top bracket to the pre-assembly from step 1, as shown.



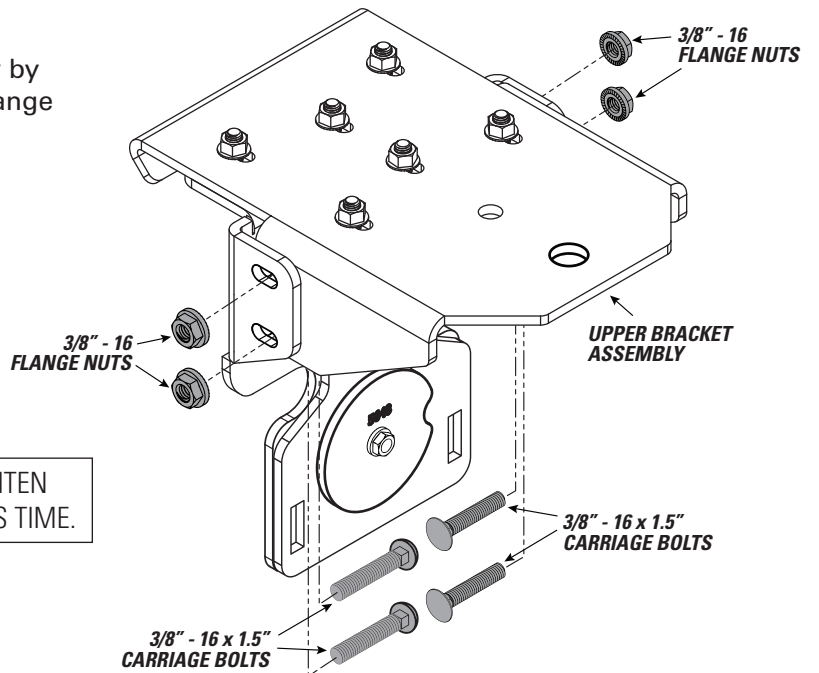
DO NOT FULLY TIGHTEN FASTENERS AT THIS TIME.



2 Finish the upper bracket assembly by installing the carriage bolts and flange nuts, as shown.



DO NOT FULLY TIGHTEN FASTENERS AT THIS TIME.

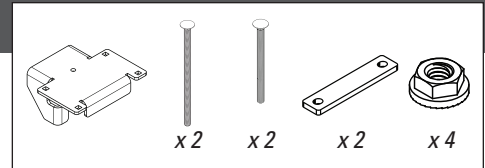


4

INSTALL LOWER BRACKET

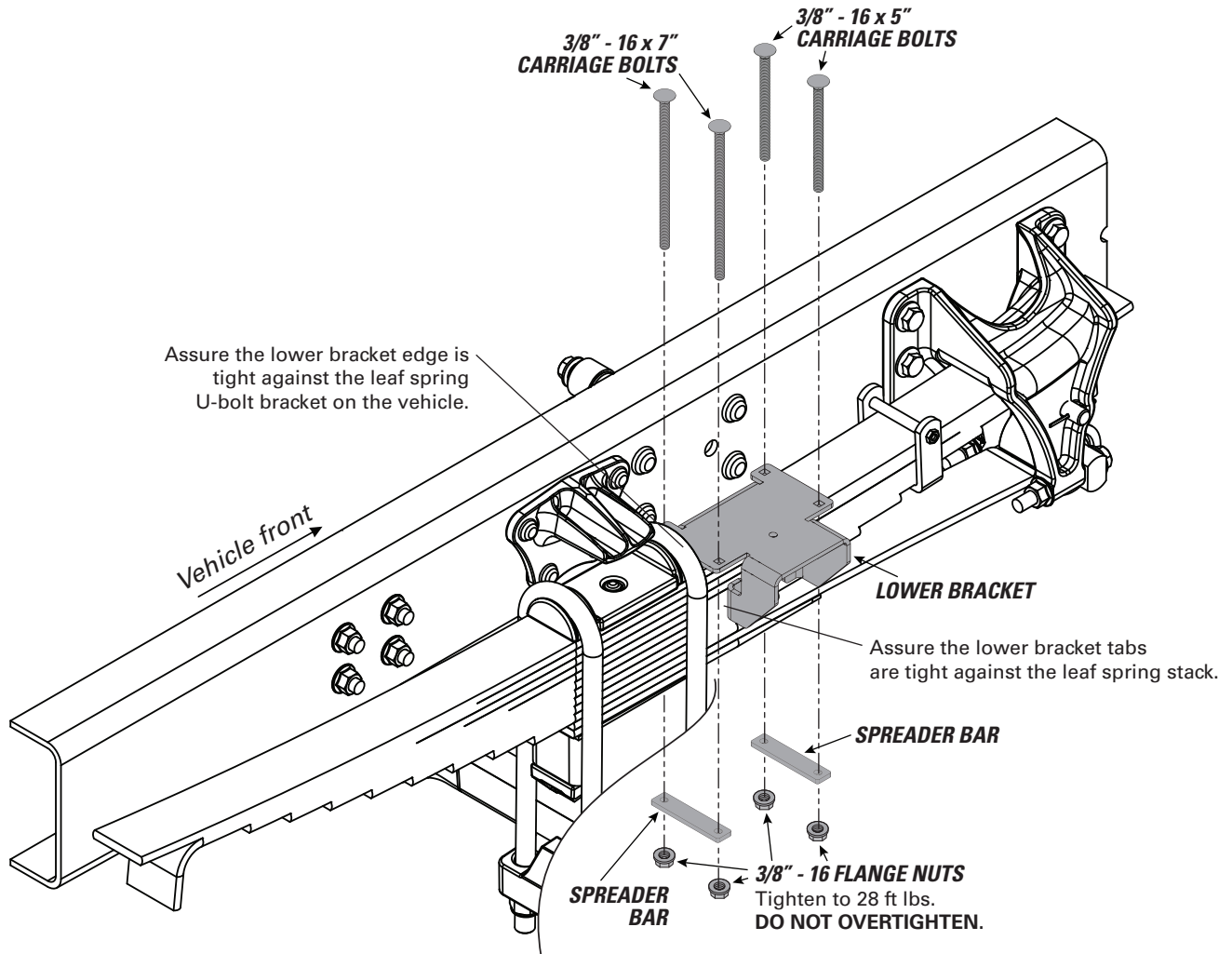


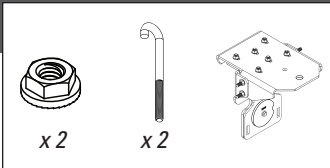
START THE INSTALLATION ON THE RIGHT SIDE OF THE VEHICLE WHEN FACING FORWARD.



1 Place lower bracket on top of leaf spring stack with flanges facing outward, as shown. Assure that the lower bracket flanges are tight against the leaf spring stack.

2 To secure the lower bracket to the leaf spring stack, install the fasteners and spreader bars, as shown. Alternate tightening fasteners to draw spreader bars evenly to leaf spring stack.





1 Hook the upper bracket assembly to the vehicle frame, as shown. **Adjust the brackets until they are as tight as possible against the frame.**

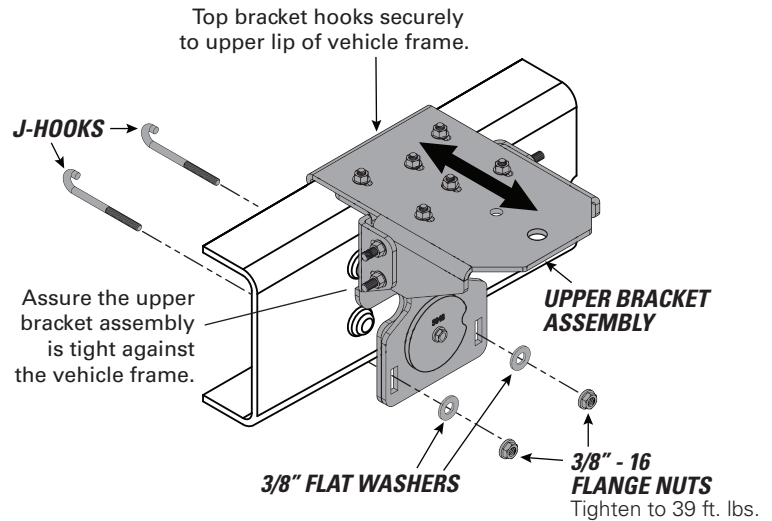
2 Tighten all ten flange nuts on the upper bracket assembly to 39 ft. lbs.

3 Install J-hooks, as shown. Assure they securely hook the lower frame rail. **If J-hooks hit the vehicle leaf springs, trim the end of the J-hook to fit.**

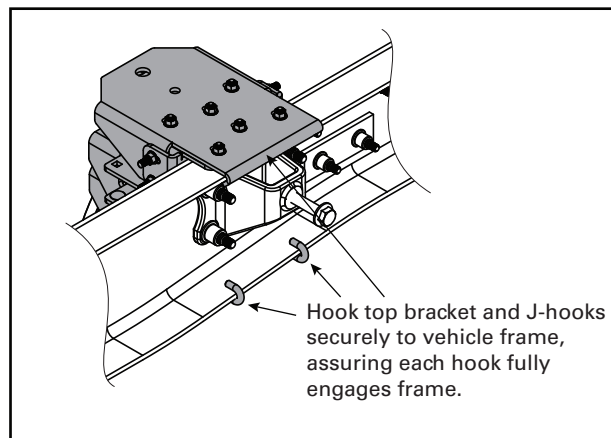
4 Assure the alignment marks on the upper bracket assembly and the lower bracket match, then tighten J-hook fasteners.



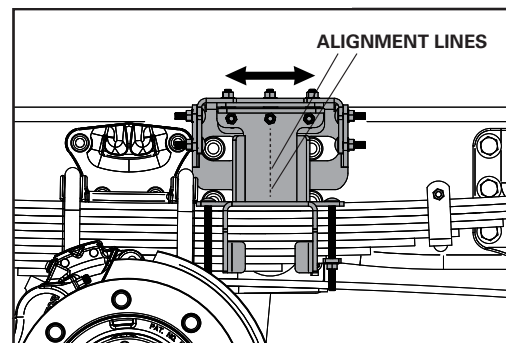
REMEMBER TO TIGHTEN ALL FASTENERS BEFORE MOVING TO NEXT STEP!



VIEW FROM FRAME INSIDE

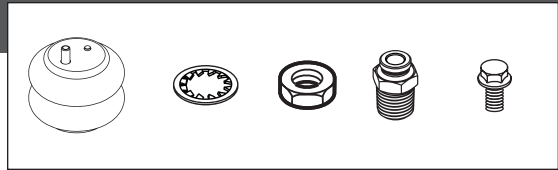


ALIGNMENT VIEW



6

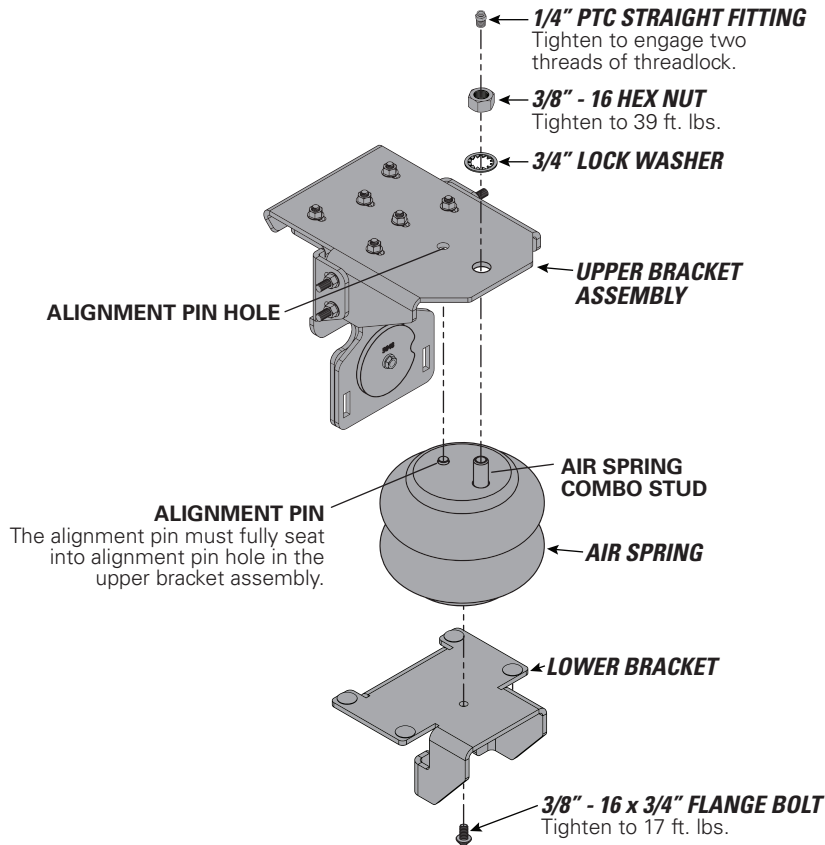
INSTALL AIR SPRING



1 Compress the air spring by hand and slide it between the lower bracket and the upper bracket assembly.

2 Insert the air spring combo stud through the mounting hole in the upper bracket assembly. **Rotate the air spring to assure the alignment pin is fully seated in the alignment pin hole.**

3 Install hardware, as shown. Use your hand to check that you have proper clearance around the air spring.

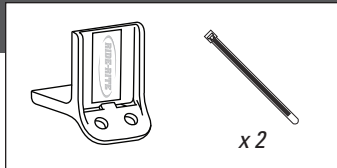
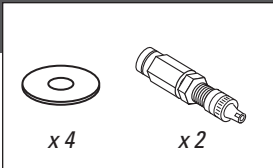


ALIGNMENT PIN ON AIR SPRINGS MUST BE INSTALLED TO FULLY SEAT INTO THE FRONT ALIGNMENT HOLE IN THE UPPER BRACKET. FAILURE TO DO SO WILL CAUSE IT TO BE PUSHED INTO THE BEAD PLATE, CREATING AN AIR LEAK, AND RESULTING IN AN AIR SPRING FAILURE THAT IS **NOT WARRANTABLE. THE ALIGNMENT PIN CANNOT HOLD 2,500 LBS! IT IS USED FOR ALIGNMENT ONLY!**



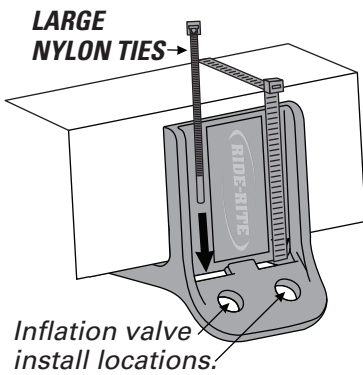
USE YOUR HAND TO CHECK FOR THE PROPER CLEARANCE AROUND THE AIR SPRING. IF YOUR HAND DOES NOT FIT BETWEEN THE AIR SPRING AND OTHER COMPONENTS, IT WILL RUB!





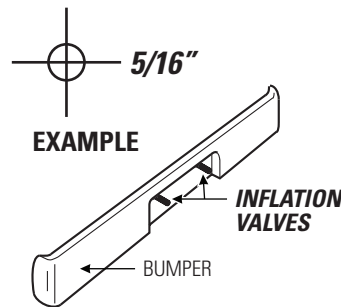
IF USING THE OPTIONAL NO-DRILL INFLATION VALVE BRACKET, CHOOSE OPTION 1. IF DRILLING, CHOOSE OPTION 2. **INFLATION VALVES MUST BE ACCESSIBLE BY AN AIR CHUCK.**

1 Secure the air inflation valve bracket to a protected, secure location. **PROCEED TO STEP 3.**

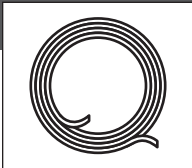
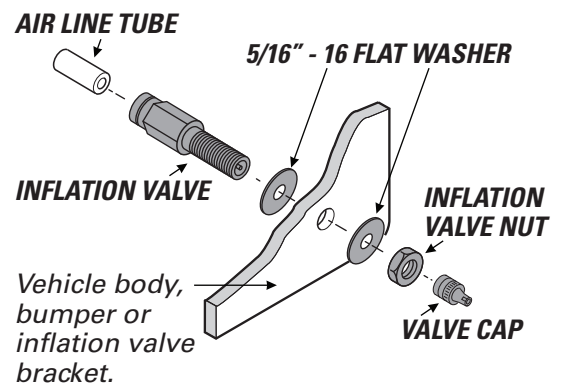


2 Select a protected location to install the inflation valves, such as the bumper or the body of the vehicle.

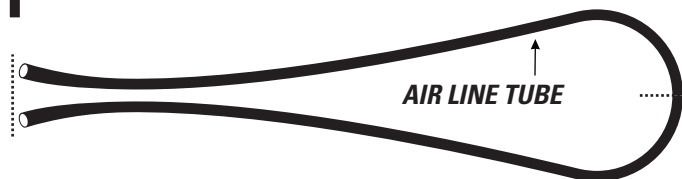
Drill two 5/16" holes for inflation valve install locations.



3 Install inflation valve assembly as shown.



1 Match air line tube ends.



2 Find center of air line tube, make a square cut with tube cutter or sharp utility knife.

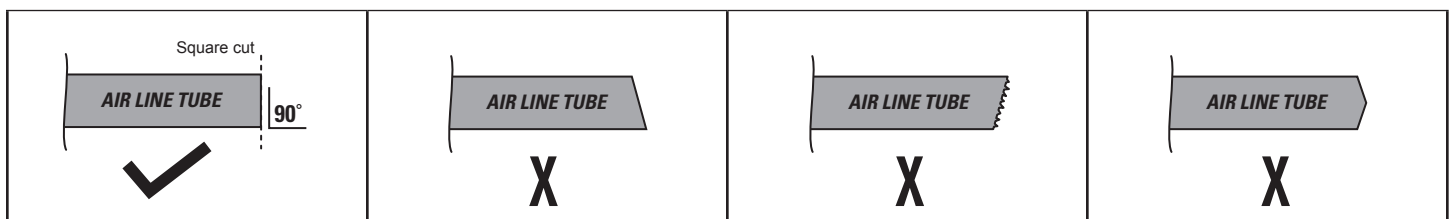
DO

Make sure the cut is as square as possible. Use a tube cutter or sharp utility knife.

DON'T

Fold or kink the air line tube. Cut the air line tube at an angle. Use pliers, scissors, snips, Saws, or side cutters.

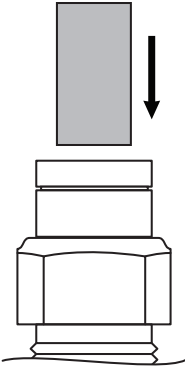
PROPER AND IMPROPER CUTS IN THE AIR LINE TUBE



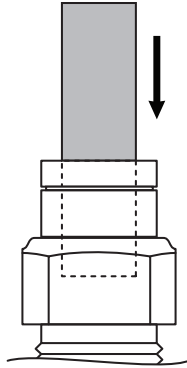
9

INSTALLING AIR LINE TUBE INTO AIR FITTINGS AND INFLATION VALVE

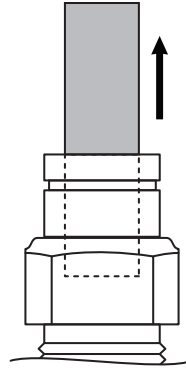
1 Insert end of air line tube into air fitting.



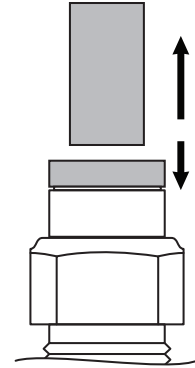
2 Push air line tube into air fitting as far as possible.



3 Gently pull on the air line tube to check for a secure fit.



4 To remove, push down collar and gently pull air line tube away.

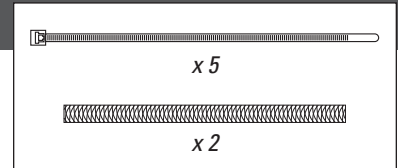


Removal Tip: Use a 1/4", 5/16", or 6mm open-ended wrench to push the collar down.

10

ROUTE AND SECURE AIR LINE TUBES

Air line tube routes will vary, depending on your truck, and requires you to choose the best path from the air springs to the inflation valves. Use the instructions below to help you choose.



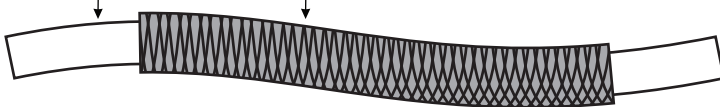
DO

Select routes protected from heat, Debris, and sharp edges. Use thermal shields near heat sources. Use nylon ties to secure the air line tube.

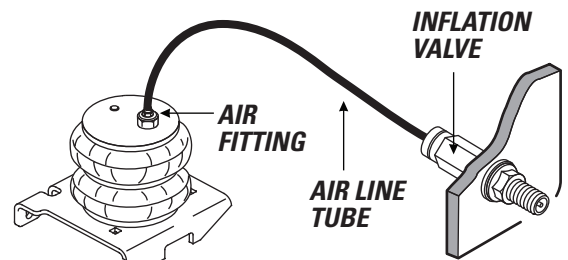
DON'T

Bend or sharply curve air line tubes. Leave air line tube exposed to sharp edges. Use unnecessary lengths of air line tube. Route air line tube near moving parts. Let air line tube hang unsecured from vehicle. Scar air line tube while routing.

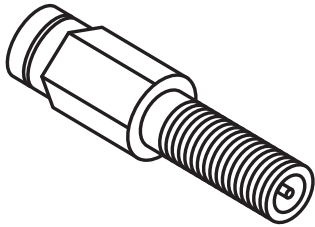
AIR LINE TUBE **THERMAL SHIELD**



USE SUPPLIED THERMAL SHIELDS WHEN AIR LINE TUBE RUNS **WITHIN 6 INCHES** OF HEAT SOURCES.



- 1** Place an air chuck onto the inflation valve and fill the system to **70 PSI**.

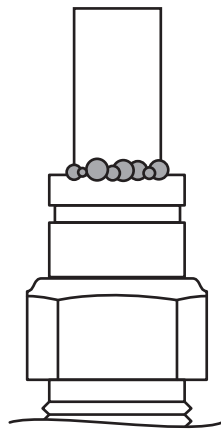


AIR SPRINGS INFLATE QUICKLY. CHECK AIR PRESSURE WHILE INFLATING.

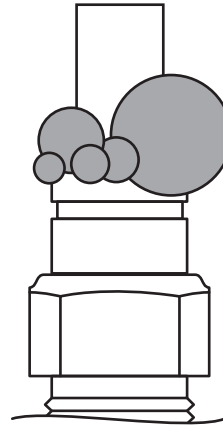
- 2** Spray fittings with soap and water mixture or glass cleaner.



- 3** Observe bubbles.



**SMALL SOAP BUBBLES
THAT DO NOT EXPAND**



**SOAP BUBBLES
THAT EXPAND**



NO LEAKS?

Congratulations! Continue to step 13 to finish installation. Review the Operating Instructions.

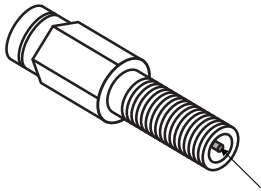
LEAK?

Bummer. Continue to step 12 to fix the leak.

12

FIXING AN AIR LEAK

- 1 Press the air valve on end of inflation valve to release all air pressure.

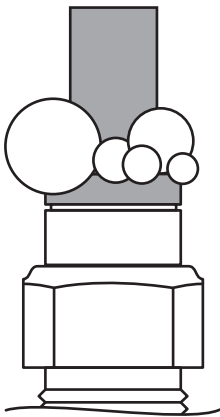


AIR VALVE



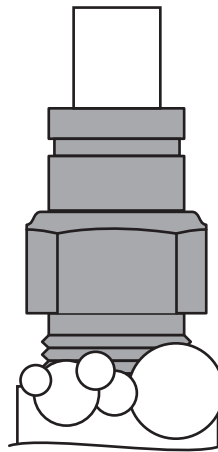
EXHAUST ALL AIR FROM THE SYSTEM PRIOR TO RELEASING AIR LINE TUBES FROM AIR FITTINGS.

LEAK AT AIR LINE TUBE AND AIR FITTING



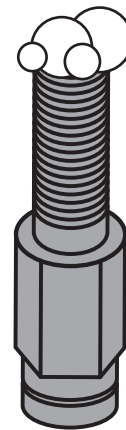
Release air line tube (see page 11). Review proper cuts and procedures in step 8. Repeat steps 9 and 11.

LEAK AT BASE OF AIR FITTING ON AIR SPRING



Tighten air fitting one turn or until leak stops.

LEAK OUT OF THE VALVE CORE ON INFLATION VALVE



Tighten valve core with valve core wrench on inflation valve cap.

STILL HAVE A LEAK?

Refer to the Troubleshooting section of the Instruction Manual.

SAFELY RETURN VEHICLE TO OPERATIVE STATE

If you removed any wheels during installation, install the wheels and torque the lug nuts to the manufacturer's specifications.

Safely remove any jack stands and wheel chocks used during installation.

Re-attach the negative battery cable.

DOUBLE-CHECK AIR SPRING CLEARANCE

Check the air springs once again for the proper 1/2" minimum clearance. Perform clearance check again when vehicle is under load.

VEHICLE GVWR

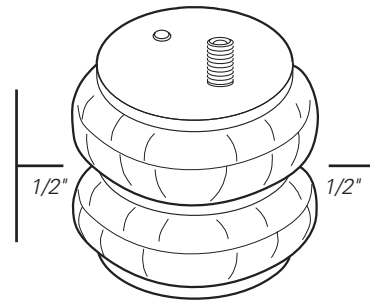
NEVER exceed the maximum load recommended by the vehicle manufacturer (GVWR). The GVWR can be found in your vehicle's owner's manual or on the data plate on the driver's side door. Consult your local dealership for additional GVWR specifications.

READ AND UNDERSTAND THE OPERATING INSTRUCTIONS

The Ride-Rite system can improve handling and comfort. Take the time to learn how to properly use and maintain your investment by reading the Operating Instructions.



USE YOUR HAND TO CHECK FOR THE PROPER CLEARANCE AROUND THE AIR SPRING. IF YOUR HAND DOES NOT FIT BETWEEN THE AIR SPRING AND OTHER COMPONENTS, IT WILL RUB!



! IMPORTANT

A MINIMUM OF 5 PSI MUST BE MAINTAINED IN THE AIR SPRINGS AT ALL TIMES

Too much air pressure in the air springs will result in a firmer ride, while too little air pressure will allow the air springs to bottom out over rough conditions, and will not provide the improvement in handling that is possible.



MINIMUM PRESSURE

-



MAXIMUM PRESSURE (LOADED)

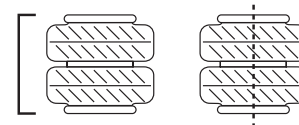


riderite.com

BEFORE YOU DRIVE, CONFIRM THE FOLLOWING:

- Do you have a minimum of 5PSI in your air springs?
- Are your air springs standing 5 1/2" - 6 1/2" tall?
- Are your air springs properly aligned, left-to-right and front-to-back?
- Are your nuts and bolts tight?
- Put your paper work back into the sleeve and keep it in your glove compartment for future reference.
- You've been bagged...and now your suspension is Airide™ equipped! Show it off with the supplied decal!

5 1/2" - 6 1/2"



NEED INSTALLATION HELP?

Email us at rrtech@fsip.com. Please include photos to help us better diagnose and understand any problems you may be experiencing.

Firestone

Firestone Industrial Products

CONNECT WITH US



FirestoneIP



Firestone Ride-Rite