



**CLASSIC (WG)
ROTARY SWIVEL NOZZLES
3/4 NPT & BSPP OPTIONS
USER MANUAL**



TABLE OF CONTENTS

MANUFACTURER'S INFORMATION	3
SPECIFICATIONS	3
DESCRIPTION AND INTENDED USE	3
KEY FEATURES	3
EC DECLARATION OF CONFORMITY	4
UK DECLARATION OF CONFORMITY	5
WARNING AND SAFETY INSTRUCTIONS	6
BACKOUT PREVENTION	6
OPERATOR TRAINING RISK ASSESSMENT	7
PPE	8
PRE-RUN SAFETY CHECK	9
WARTHOG® CLASSIC (WG) OVERVIEW	10
WARTHOG® CLASSIC (WG) MODEL INFORMATION	11
OPERATION	12
TROUBLESHOOTING	13
TOOL SERVICE INFORMATION	14
VISCOUS FLUID FILL INFORMATION	14
DISASSEMBLY	15
ASSEMBLY	17
PART NAMES AND SERVICE KITS	18
TERMS AND CONDITIONS AND WARRANTY	20

StoneAge Inc.
466 S. Skylane Drive
Durango, CO 81303, USA
Phone: 970-259-2869
Toll Free: 866-795-1586
www.stoneagetools.com

StoneAge NL
Reedijk 7Q
3274 KE Heineoord
Netherlands
(+31) (0) 85 902 73 70
sales-NL@stoneagetools.com

StoneAge UK
Unit 3
Crucible Business Park
Woodbury Lane
Norton
Worcester
Worcestershire, WR5 2DQ
United Kingdom
+44 (0) 1684 892065
sales-eu@stoneagetools.com

This manual must be used in accordance with all applicable national law. The manual shall be regarded as a part of the machine and shall be kept for reference until the final dismantling of the machine, as defined by applicable national law(s). Updated manuals can be downloaded at: <https://www.stoneagetools.com/manuals>

WARTHOG® CLASSIC (WG) SPECIFICATIONS	
Tool Family:	Warthog® WG
Tool Model:	WG-1
Pipe Size:	6-18 in. (150-450 mm)
Pressure Range:	1200-5000 psi (83-350 bar)
Flow Range:	50-80 gpm (190-300 Lpm)
Flow Rating:	4.6 Cv
Visc Service Life:	60 Hours
Rotation Speed:	150-450 rpm
Inlet Connection:	1" NPT or BSPP
Jet Port Size:	3 x 1/8" NPT
Jet Type & Plug Type:	AP2 & AP2 002
Outside Diameter:	5" (130mm)
Overall Length:	9 (230mm)
Weight:	9.2 lbs (4.2 kg)
Max Water Temperature:	160 °F (70 °C)

DESCRIPTION AND INTENDED USE

The Warthog® Classic (WG) 1" Rotary Sewer Nozzle was designed for waterblast cleaning of pipes and sewer lines. The WG-1 has a 1" NPT threaded inlet and is also available with BSPP threads.

The Warthog® Classic (WG) 1" is capable of working pressures up to 5000 psi and flow rates of 50 to 80 gpm, with rotation speeds from 190 to 30 rpm. The unit is filled with a thick viscous fluid that controls the rotation speed. The nozzle head and nozzle orifice sizes should match the operating conditions of pressure and flow desired. Hose length and size must be known to correctly determine the proper head and orifice sizes.

Contact your distributor or www.sewernozzles.com to help in nozzle selection. If the wrong head is used, it may not provide enough torque to rotate the swivel, or it may provide too much torque resulting in excessive rotation speed and rapid seal wear.

KEY FEATURES:

- The industry's work-horse nozzle since 1990
- Controlled rotation allows jets to penetrate deeper through deposits to clean and clear pipes
- Descaling head available

EC DECLARATION OF CONFORMITY

Manufacturer: StoneAge Incorporated
466 South Skylane Drive Durango, CO 81303 USA

Authorized Representative: StoneAge Netherlands BV
Reedijk 7Q
3274 KE Heineoord Netherlands
Sander de Korte, Customer Service Manager

Declare that: Warthog Classic (WG)
are rotary swivel tools designed for cleaning sewer pipes.


Are compliant with the following Directives and Standards:

Directive 2006/42/EC (Machinery Directive)

EN ISO 12100:2010 (E) Safety of machinery – General principles for design – Risk assessment and risk reduction

The Technical Files for the Warthog Classic (WG) are maintained at:

StoneAge Incorporated, 466 South Skylane Drive, Durango, CO 81303, USA and were compiled by the Engineering Manager. The Technical File is available through the Authorized Representative. This Declaration of Conformity is issued under the exclusive responsibility of StoneAge Incorporated.



StoneAge Incorporated, Durango, CO, USA
Liz Mancuso, Director of Engineering

06/18/22
Date



UK DECLARATION OF CONFORMITY

Manufacturer: StoneAge Incorporated
466 South Skylane Drive Durango, CO 81303 USA

Authorized Representative: StoneAge UK
Unit 3
Crucible Business Park
Woodbury Lane
Norton
Worcester
Worcestershire, WR5 2DQ
United Kingdom
Steve Ellis, Managing Director StoneAge UK

Declare that: Warthog Classic (WG)
are rotary swivel tools designed for cleaning sewer pipes.

Are compliant with the following Statutory Requirements and Designated Standards:

S.I. 2008 No. 1597 (E) Safety of machinery – General principles for design – Risk assessment and risk reduction
EN ISO 12100:2010 (E) Safety of machinery – General principles for design – Risk assessment and risk reduction

The Technical Files for the Warthog Classic (WG) are maintained at:

StoneAge Incorporated, 466 South Skylane Drive, Durango, CO 81303, USA and were compiled by the Engineering Manager. The Technical File is available through the Authorized Representative. This Declaration of Conformity is issued under the exclusive responsibility of StoneAge Incorporated.



StoneAge Incorporated, Durango, CO, USA
Liz Mancuso, Director of Engineering

06/18/22

Date



**UK
CA**

WARNING AND SAFETY INSTRUCTIONS

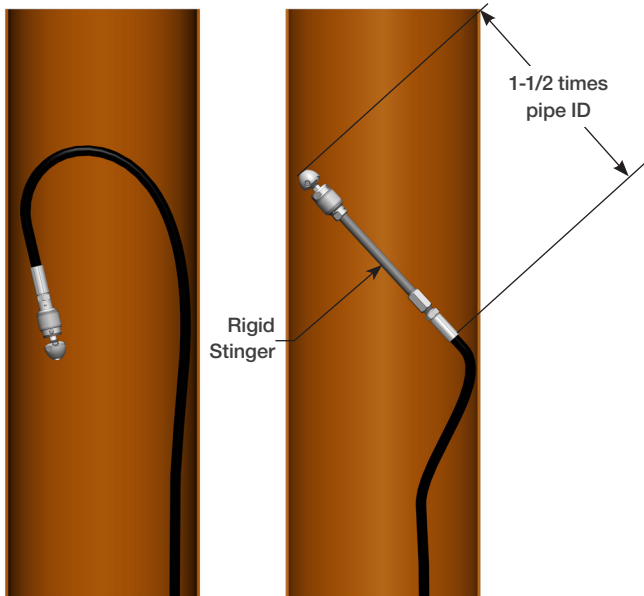
⚠ WARNING

Because of the short length of the Warthog® Classic (WG), the tool can turn around in pipes and come back at the operator at a high rate of speed. A rigid “stinger” should be used between the hose and the tool. The rigid length of the tool including hose end must be 1-1/2 times the inside diameter of the pipe being cleaned (see below).

Make sure there is an operator controlled dump in the system, operated by the person closest to the cleaning job. It is recommended that the hose be marked a few feet from the end with a piece of tape so the operator know when to stop when retracting the tool.

⚠ DANGER

Operations with this equipment can be potentially hazardous. Caution must be exercised prior to and during machine and water jet tool use. Please read and follow all of these instructions, in addition to the guidelines in the WJTA Recommended Practices handbook, available online at www.wjta.org. Deviating from safety instructions and recommended practices can lead to severe injury and/or death.



IMPROPER USE:
WG will turn around in
large diameter pipe
VERY DANGEROUS!

PROPER USE:
WG with rigid “stinger”
to prevent turnaround, still
able to pass through elbow.

WARNING AND SAFETY INSTRUCTIONS

OPERATOR TRAINING

Managers, Supervisors, and Operators **MUST** be trained in Health and Safety Awareness of High-pressure Water Jetting and hold a copy the Water Jetting Association (WJA) Code of Practice, or equivalent (see www.waterjetting.org.uk).

Operators **MUST** be trained to identify and understand all applicable standards for the equipment supplied. Operators should be trained in manual handling techniques to prevent bodily injury.

StoneAge has designed and manufactured this equipment considering all hazards associated with its operation. StoneAge assessed these risks and incorporated safety features in the design. StoneAge **WILL NOT** accept responsibility for the results of misuse.

IT IS THE RESPONSIBILITY OF THE INSTALLER/ OPERATOR to conduct a job specific risk assessment prior to use. Job specific risk assessment **MUST** be repeated for each different set up, material, and location.

The risk assessment **MUST** conform to the Health and Safety at Work Act 1974 and other relevant Health and Safety legislation.

Operators **MUST** read, understand, and follow the Operational and Training Requirements (Section 7.0) of WJTA-IMCA's Industry Best Practices For The Use Of High-pressure Waterjetting Equipment, or equivalent.

Operators **MUST** read, understand and follow the Warnings, Safety Information, Assembly, Installation, Connection, Operation, Transport, Handling, Storage, and Maintenance Instructions detailed in this manual.

The risk assessment **MUST** consider potential material or substance hazards including:

- Aerosols
- Biological and microbiological (viral or bacterial) agents
- Combustible materials
- Dusts
- Explosion
- Fibers
- Flammable substances
- Fluids
- Fumes
- Gases
- Mists
- Oxidizing Agents

WARNING AND SAFETY INSTRUCTIONS

PERSONAL PROTECTIVE EQUIPMENT REQUIREMENTS

Use of Personal Protective Equipment (PPE) is dependent on the working pressure of water and the cleaning application. Managers, Supervisors, and Operators **MUST** carry out a job specific risk assessment to define the exact requirements for PPE. See Protective Equipment for Personnel (Section 6) of WJTA-IMCA's Recommended Practices For The Use Of High-pressure Waterjetting Equipment for additional information.

Hygiene - Operators are advised to wash thoroughly after all waterjetting operations to remove any waterblast residue which may contain traces of harmful substances.

First aid provision - users **MUST** be provided with suitable first aid facilities at the operation site.

PPE may include:

- **Eye protection:** Full face visor
- **Foot protection:** Kevlar® brand or steel toe capped, waterproof, non-slip safety boots
- **Hand protection:** Waterproof gloves
- **Ear protection:** Ear protection for a minimum of 85 dBA
- **Head protection:** Hard hat that accepts a full face visor and ear protection
- **Body protection:** Multi-layer waterproof clothing approved for waterjetting
- **Hose protection:** Hose shroud
- **Respiratory protection:** May be required; refer to job specific risk assessment



WARNING AND SAFETY INSTRUCTIONS

⚠ WARNING

Operations with this equipment can be potentially hazardous. Caution **MUST** be exercised prior to and during equipment and water jet tool use. Please read and follow all of these instructions, in addition to the guidelines in the WJTA-IMCA's Industry Best Practices handbook, available online at www.wjta.org. Deviating from safety instructions and recommended practices can lead to severe injury and/or death.

- Do not exceed the maximum operating pressure specified for any component in a system.
- The immediate work area **MUST** be marked off to keep out untrained persons.
- Inspect the equipment for visible signs of deterioration, damage, and improper assembly. Do not operate if damaged, until repaired.
- Make sure all threaded connections are tight and free of leaks.
- Users of the Warthog® Classic (WG) **MUST** be trained and/or experienced in the use and application of high-pressure technology and cleaning, as well as all associated safety measures, according to the WJTA Recommended Practices for the use of High-pressure Waterjetting Equipment.
- Install mechanical stops, stingers and back out preventers as appropriate when doing any tube, pipe or vessel cleaning.
- Always de-energize the system before servicing or replacing any parts. Failure to do so can result in severe injury and/or death.

Refer to WJTA-IMCA's Industry Best Practices For The Use Of High-pressure Waterjetting Equipment and/or The Water Jetting Association's, WJA Code of Practice for additional safety information.

- Complete a job specific risk assessment and act on the resulting actions.
- Adhere to all site specific safety procedures.
- Ensure the waterblasting zone is properly barricaded and that warning signs are posted.
- Ensure the workplace is free of unnecessary objects (e.g. loose parts, hoses, tools).
- Ensure all Operators are using the correct Personal Protective Equipment (PPE).
- Check that the air hoses are properly connected and tight.
- Check all hoses and accessories for damage prior to use. Do not use damaged items. Only high quality hoses intended for waterblast applications should be used as high-pressure hoses.
- Check all high-pressure threaded connections for tightness.
- Operate the high-pressure water at full pressure and use the Pneumatic Foot Pedal Dump Control to verify that the dump valve is working properly.
- Ensure that Operators never connect, disconnect, or tighten hoses, adapters, or accessories with the high-pressure water pump unit running.
- Ensure no personnel are in the hydroblasting zone.

PRE-RUN SAFETY CHECK

WARTHOG® CLASSIC (WG)

PIPE SIZE: 8-36" (200-900 MM)

INLET: 1" NPT OR BSPP

FLOW RATE: 50-80 gpm | 83-300 lpm

SERVICE INTERVAL: 60 HOURS

Ideal for municipal and industrial sewer cleaning professionals who want a nozzle that is preconfigured to deliver top performance in the most common applications. This ready-to-go nozzle gives you the power of controlled rotation without needing extra setup, so you get right to work and deliver great results.

UNIVERSAL

- Jetting is pre-configured for an equal balance of pulling, flushing, cleaning, and cutting
- Controlled rotation delivers better surface coverage and deeper cleaning than a static nozzle.
- Newly designed centralizer for longer durability

WG UNIVERSAL

5 Ports:

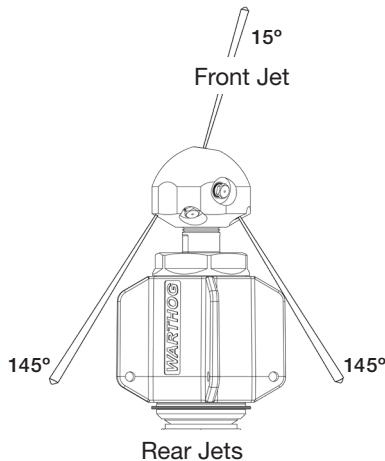
Front: 1 @ 15°

Rear: 4 @ 145°

DESCALING



PULLING/
FLUSHING



CLASSIC (WG)

RECOMMENDED HOSES

WG-1: StoneAge recommends a 1" ID hose be used, especially when using longer hose lengths.

JETTING

Pumps are commonly sold based on their *theoretical* maximum flow output; in reality, none are 100% efficient. We try to take this into account when supplying you the jets. If you are not getting to the operating pressure desired, the sizes of the jets may need to be changed.

The table below is provided as an overview of common jetting parameters. For more precise jetting information, please use the StoneAge Jetting App to determine jet sizes:

jetting.stoneagetools.com

For more information regarding the Warthog® Classic (WG) or other Warthog® Sewer Tools, contact your factory authorized Warthog® Distributor or go to;

www.sewernozzles.com

Warthog® Classic (WG) HEAD OFFSET CHART								
WG WITH 600' OF Ø1" HOSE			PRESSURE					
			2000 PSI	2500 PSI	3000 PSI	3500 PSI	4000 PSI	4500 PSI
FLOW	GPM	L/MIN	140 BAR	170 BAR	210 BAR	240 BAR	280 BAR	310 BAR
	50	190	R31	R31	R31	R31	R31	R31
	60	230	R31	R31	R31	R20	R20	R20
	70	260	R31	R31	R20	R20	R20	R20
	80	300	R31	R31	R20	R20	R20	R20

NOTICE

The two most important items in maintaining the WG tools;

- Keep debris from entering the tool and preventing it from rotating by flushing hoses before use.
- Keep the WG full of viscous fluid to maintain control and rotation speed. When the viscous fluid is lost or contaminated, the rotation speed of the tool will increase, which reduce the life of the high pressure seal and bearing. We recommend that this is done after every 60 hours of operation. If the tool is spinning much faster than when new, this is an indication that it needs fluid.

OPERATION:

- Make sure the operator has a controlled dump in the system and it is operated by the person closest to the job. Test the dump prior to beginning the job.
- Flush out the high pressure hoses before connecting the WG to eliminate debris.
- Attach the tool to the end of the hose; prepare the threads per the “TECH TIP” below. There is a large O-Ring (WG 030) around the inlet, covering up the wrench flats. This O-Ring helps prevent the tool from getting caught on the rear edge when pulling the tool back out of the line. When attaching the tool to the hose end, slide the O-Ring up the hose out of the way until the connection is tightened, and then roll the O-Ring back into its original place.



TECH TIP: NPT threads -StoneAge recommends the use of Teflon tape and yellow Threadmate™ on NPT thread connections.

Fine and high pressure threads- StoneAge recommends the use of Blue Goop® Anti-seize on Fine and high pressure thread connections.

- It is recommended that the hose be marked a few feet from the end with a piece of tape so the operator know when to stop on the way back out.
- Position the tool within the pipe to be cleaned; bring the pump up to pressure, making certain that the WG) begins to pull it's way in the proper direction into the pipe. If roots are present, feeding at a slower rate will improve the cleaning results. Depending on the amount of debris in the pipe, it may be necessary to occasionally pull the WG back toward the pipe entrance to prevent large buildups behind the tool.
- Close the dump and slowly bring the pump up to pressure the first time to make sure jets are not plugged and the jet thrust is correct. The WG should begin to slowly rotate.
- Once the pump is up to pressure, feed the WG at a reasonable rate to allow the jets time to clean the pipe. Once operating pressure is reached, feed the tool into the pipe to begin the cleaning job.
- Depending on the amount of debris in the pipe, it may be necessary to occasionally pull the WG back toward the pipe entrance to prevent large buildups behind the tool. Allow the jets time to do their work by feeding the hose out at a controlled rate.
- When finished cleaning, shut down and secure pump before removing WG from line. If the WG will be removed from the line and stored for more than several days, blow out water with compressed air to prolong the life of the internal components.

Blue Goop® is a registered trademark of the Swagelock® Corporation.

Parker Threadmate™ is a registered trademark of the Parker Hannifin Corporation.

The most important item in maintaining the WG is keeping the tool full of viscous fluid. The tool also has a high pressure seal and seat that will need to be replaced if the tool begins to leak water from under the Weep Seal. The tool may leak water at low pressure intermittently, but if it leaks at operating pressure, it is time to change the seal.

HEAD WILL NOT ROTATE:

- First try rotating head by hand and see if it feels rough or gritty to turn. If it does, the tool must be disassembled and repaired; it likely has bad bearings, seals and fluid. If the tool feels okay, check to see if any nozzles are plugged; even if a nozzle is only partially blocked it can keep the head from rotating. Nozzles must be removed from the head to properly clean them; it does not do any good to poke the material plugging the nozzle back into the head, as it will just replug a nozzle.

HEAD SPINS TOO FAST:

- It is likely that the swivel is low on viscous fluid, or the viscous fluid has water in it. The best thing to do is drain all the fluid, wipe the parts clean and refill with the proper fluid. Check that the shaft seals are still good and will keep the fluid from leaking out. If it spins too fast as a new tool or after proper repair, check with StoneAge or your distributor to make sure that the tool has the correct head and nozzle combination.

SEAL LEAK:

- The seal may leak initially at low pressure, but should pop closed as pressure is increased. If operating pressure is reached and the seal is leaking continuously, the high pressure seal may need to be replaced. Refer to the maintenance below.

SEALS WEAR OUT QUICKLY:

- The tool must be disassembled and inspected. The brass seat should be checked for being installed in the right direction, and it should be replaced any time the high pressure seal is replaced. The bore of the shaft where the high pressure seal is located should be checked for grooving. If it is worn larger than .383", the shaft will need to be replaced.

NOT GETTING THE DESIRED OPERATING PRESSURE:

- The sizes of the jets may need to be changed. Verify jetting at jetting.stoneagetools.com
- For more information contact your factory authorized StoneAge® Inc. Distributor or go to www.sewernozzles.com for help.

TOOL SERVICE

The Warthog® Classic (WG) also has a high pressure seal that will last between 150 and 300 hours. The seal may leak at low pressure, but will seal at high pressures unless it has worn out. Refer to this manual for assembly instructions.

Product training and proper tools are required to service this tool. If you are uncomfortable performing the service, bring the WG to your authorized dealer.

The use of a bench vice and an arbor press is highly helpful. Take care throughout the entire procedure to keep the internals clean and free from grit, lint, and contamination. Failure to do so could result in premature failure after service.

LIST OF TOOLS:

- Bench Vice (recommended)
- Arbor Press (recommended)
- Medium size flat-head screw driver
- Pick
- Small needle nose pliers
- WG 612 Tool Kit
 - 1 HC 064 Fill Tube
 - 1 BJ 105 Installation Tool

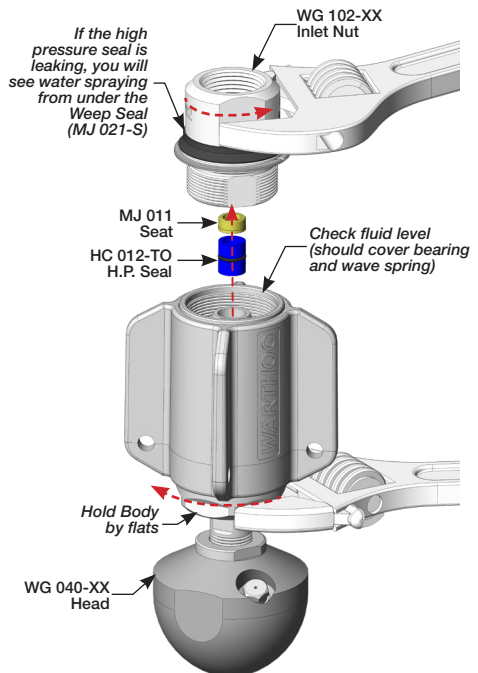
LIST OF MATERIALS:

- Clean lint free rags or blue shop towels
- Lithium Soap Grease – StoneAge PN (GP 048 Grease)
- Isopropyl Alcohol or Denatured Alcohol

VISCOUS FLUID FILL INSTRUCTIONS

TO SERVICE THE VISCOUS FLUID AND HIGH PRESSURE SEAL:

1. Unscrew the Inlet Nut (WG 102-XX) from the Body. Hold the Body by the flats near the head.
2. Check the fluid condition and level. If the fluid appears to have water contamination or is very dirty, we recommend further disassembly of the tool to clean out the old fluid. Otherwise, drain out as much of the old fluid as possible and add new viscous fluid to cover the top bearing and wave spring.
3. Remove the Seat (MJ 011) and the H.P. Seal (HC 012-TO) from the bore of the Shaft. Apply grease to a new H.P. Seal and install in the bore. Install a new seat on top of the seal, with the flat face of the Seat facing toward the Seal, as shown at right.
4. Apply anti-seize to the threads of the Inlet Nut and thread into the Body. Make sure that the seat stays centered in the bore of the Shaft. Tighten to 40 ft-lb torque.



DISASSEMBLY

1. Clamp the flats of the WG 140-XX Head in a vise as shown.
2. Clamp the flats on the Body with an Adjustable Wrench and rotate the WG Assembly Counterclockwise.

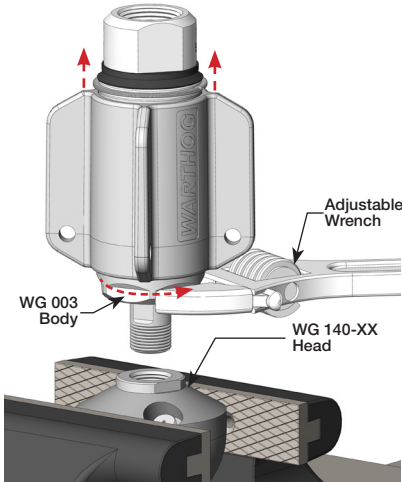


Figure 1: For Steps 1-2

3. Clamp the flats on the Body in the Vise.
4. Unscrew the Inlet Nut (WG 102-XX) from the Body (WG 003).
5. Pull off the Centralizer (WG 180).

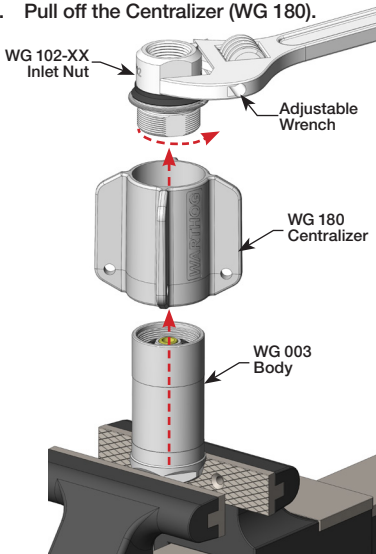


Figure 2: For Steps 3-5

6. Remove the O-Ring (WG 008) and Weep Seal (MJ 021-S) from the Inlet Nut.
7. Remove the Shaft Seal (BJ 010-D) from the Inlet Nut if it appears damaged.

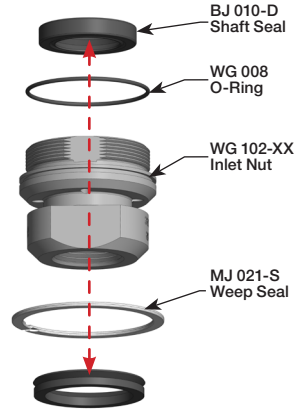


Figure 3: For Steps 6-7

TECH TIPS: Use a pick to gently remove the Brass Seat and High Pressure Seal.

8. Remove the Seat (MJ 011) and H.P. Seal (HC 012-TO) from the Shaft bore.
9. Remove the Wave Spring (WG 014) from the Body.

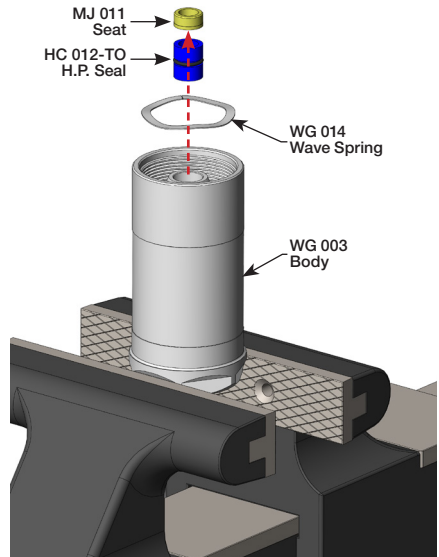


Figure 4: For Steps 8-9

10. Push the Shaft (WG 001) out of the Body.
11. Remove the Shaft Seal (BJ 010-D) from the Body if it appears damaged.
12. Carefully pry the Bearings (WG 007) off of the Shaft.
13. Make sure not to raise any burrs on the large diameter portion of the Shaft with the groove.

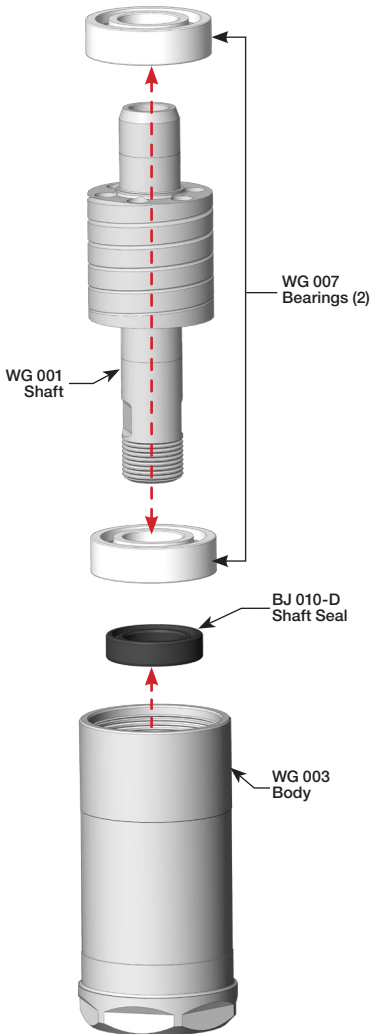


Figure 5: For Steps 10-13

NOTICE

Before reassembly of the tool wash all parts in solvent and blow dry. Inspect wear items, (High Pressure Seal Assembly, Shaft Seals, O-Rings, Bearings, and Port Plug.) See the "Maintenance Kits" section of this manual for a complete list of Service, Overhaul, and, Tool kits.

- GREASE 1 = Chevron Multifak® EP 1
- GREASE 2 = P80 Grip-IT® Lubricant
- ANTI-SEIZE = Swagelock® Blue Goop or Equal

ASSEMBLY

1. Install Shaft Seals (BJ 010-D) in the Body (WG 003) and Inlet Nut (WG 102-XX). Both seals are installed so the lip with the spring faces up when installing. Apply grease to the lips of the seals.
2. Install the O-Ring (WG 008), Weep Seal (MJ 021-S) and Retaining Ring (WGP 032) on the Inlet Nut.

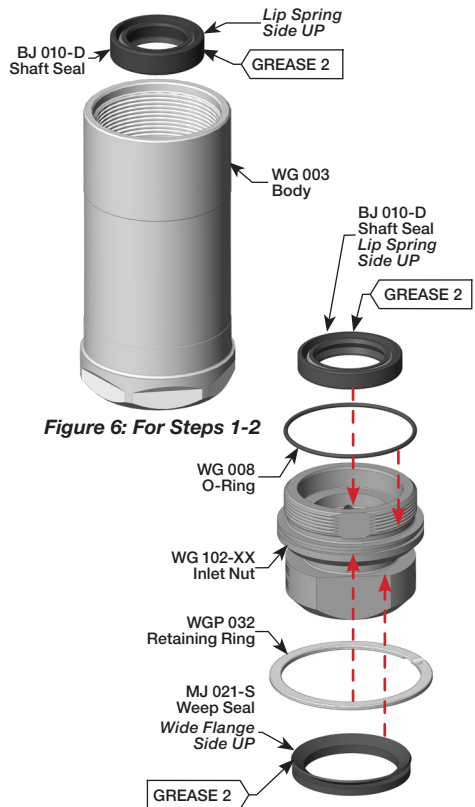


Figure 6: For Steps 1-2

Figure 7: For Steps 1-2

3. Lightly coat the Shaft with grease where the Shaft Seals and Bearings ride.
4. Press the Bearings (WG 007) onto the Shaft.

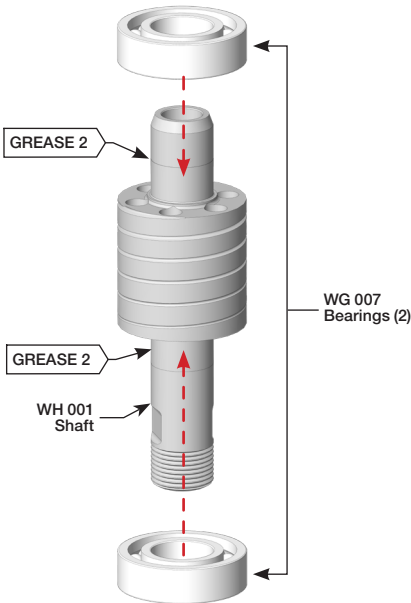


Figure 8: For Steps 3-4

5. Place the Centralizer (WG 180) over the outside of Body.

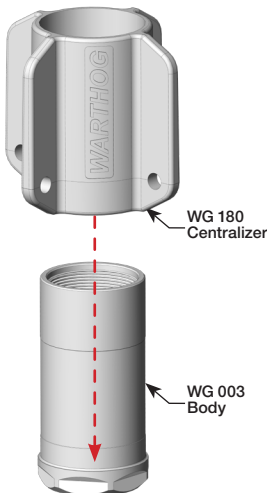


Figure 9: For Step 5

6. If you have a Fill Tube (HC 064), insert it through the Shaft Seal in the Body about 2 inches. Pour viscous fluid into the Body about 1" deep. Insert the Shaft into the Body, allowing the Shaft to push out the Fill Tube. If you do not have the fill tube, insert the Shaft into the Body and pour viscous fluid into the Body; allow the fluid to settle down through the top bearing and around the Shaft and keep adding fluid until it covers the top bearing. It will take about 10 minutes to get the tool full.

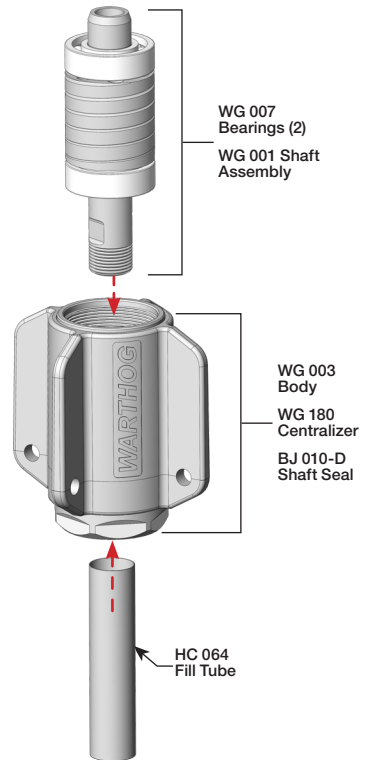


Figure 10: For Step 6

ASSEMBLY

7. Clamp the flats of the Body in a vise.
8. Place the Wave Spring (WG 014) on top of the bearing. Add more viscous fluid until the wave spring is covered.
9. Apply grease to the H.P. Seal (HC 012-TO) and insert into bore of Shaft.
10. Place the Seat (MJ 011) on top of the Seal, with the chamfered end up.

TECH TIPS: Greasing the O-Ring on the H.P. Seal prevents it from tearing in the tight bore of the Shaft.

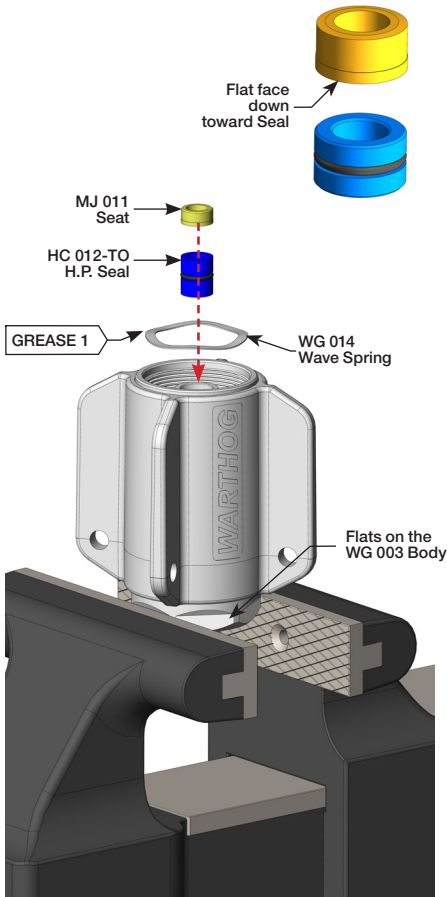


Figure 11: For Steps 7-10

11. Apply anti-seize to the threads of the Inlet Nut; thread into Body and tighten to 40 ft-lb.

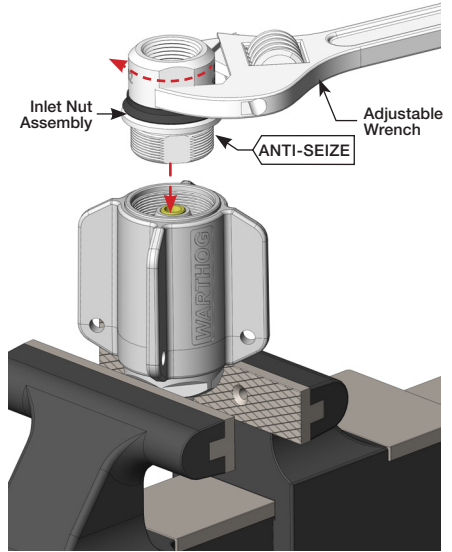


Figure 12: For Step 11

12. Clamp Head upside down in a vise.
13. Apply teflon tape to the Shaft threads and install head.

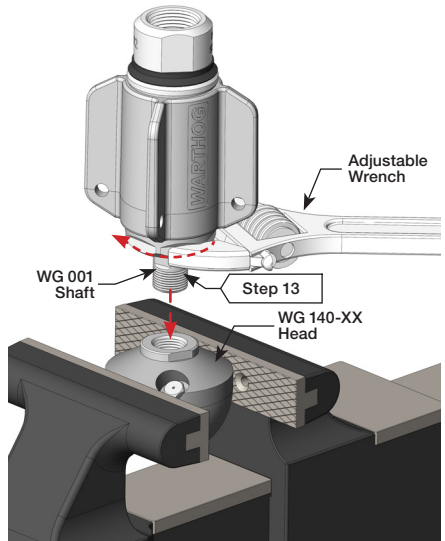
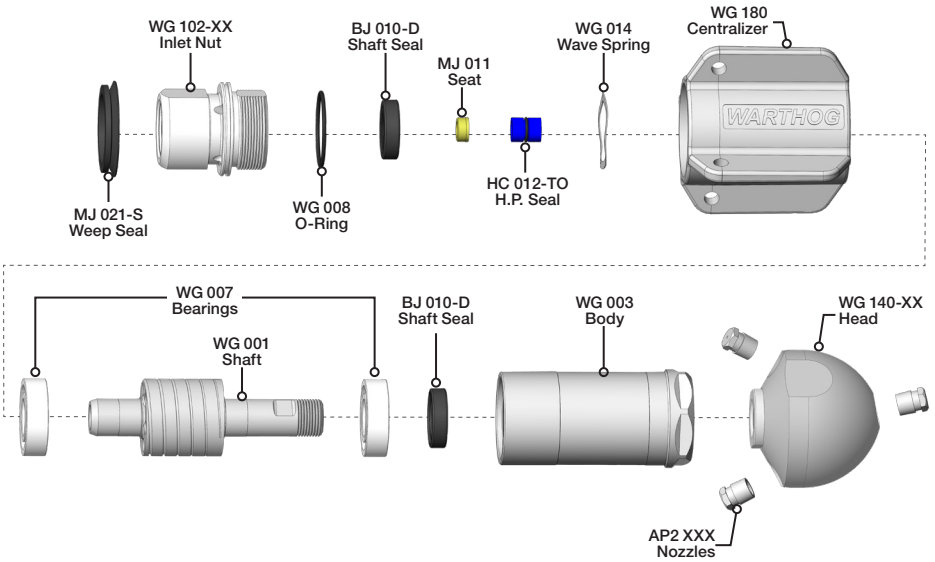


Figure 13: For Steps 12-13



KITS AND KIT CONTENTS

WG 600-ST1 SERVICE KIT	WG 610-RT1 OVERHAUL KIT
1 BJ 062-S Copper Antiseize 1.3, 2g Pouch 1 HC 012-TO H.P. Seal & O-Ring 1 MJ 011 Brass Seat	1 BJ 010-D Shaft Seal 1 BJ 062-S Copper Antiseize 1.3, 2g Pouch 1 HC 012-TO H.P. Seal & O-Ring 1 MJ 011 Brass Seat 1 MJ 021-S Weep Seal 1 PL 527 Warthog Classic (WG) User Manual 2 WG 007 Bearing, Ball 1 WG 008 O-Ring 1 WG 014 Wave Spring 1 WGP 032 Retaining Ring SS Spiral Ext. 1.56
WG 612 TOOL KIT	
1 HC 064 Fill Tube 1 BJ 105 Installation Tool	

TERMS AND CONDITIONS AND WARRANTY INFORMATION

1. Acceptance of Terms and Conditions. Receipt of these Terms and Conditions of Sale ("Terms and Conditions") shall operate as the acceptance by StoneAge, Inc. ("Seller") of the order submitted by the purchaser ("Buyer"). Such acceptance is made expressly conditional on assent by Buyer to these Terms and Conditions. Such assent shall be deemed to have been given unless written notice of objection to any of these Terms and Conditions (including inconsistencies between Buyer's purchase order and this acceptance) is given by Buyer to Seller promptly on receipt hereof.

Seller desires to provide Buyer with prompt and efficient service. However, to individually negotiate the terms of each sales contract would substantially impair Seller's ability to provide such service. Accordingly, the product(s) furnished by Seller are sold only according to the terms and conditions stated herein and with the terms and conditions stated in any effective StoneAge Dealer Agreement or StoneAge Reseller Agreement, if applicable. Notwithstanding any terms and conditions on Buyer's order, Seller's performance of any contract is expressly made conditional on Buyer's agreement to these Terms and Conditions unless otherwise specifically agreed to in writing by Seller. In the absence of such agreement, commencement of performance, shipment and/or delivery shall be for Buyer's convenience only and shall not be deemed or construed to be an acceptance of Buyer's terms and conditions.

2. Payment/Prices. Unless other arrangements have been made in writing between Seller and Buyer, payment for the product(s) shall be made upon receipt of invoice. The prices shown on the face hereof are those currently in effect. Prices invoiced shall be per pricelist in effect at the time of shipment. Prices are subject to increase for inclusion of any and all taxes which are applicable and which arise from the sale, delivery or use of the product(s), and the collection of which Seller is or may be responsible to provide to any governmental authority, unless acceptable exemption certificates are provided by Buyer in accordance with applicable law. Buyer shall pay all charges for transportation and delivery and all excise, order, occupation, use or similar taxes, duties, levies, charges or surcharges applicable to the product(s) being purchased, whether now in effect or hereafter imposed by any governmental authority, foreign or domestic.

3. Warranty. SELLER MAKES NO WARRANTIES OR REPRESENTATIONS AS TO THE PERFORMANCE OF ANY PRODUCT EXCEPT AS SET FORTH IN THE STONEAGE LIMITED WARRANTY PROVIDED WITH THE PRODUCT.

4. Delivery. Seller is not obligated to make delivery by a specified date, but will always use its best efforts to make delivery within the time requested. The proposed shipment date is an estimate. Seller will notify Buyer promptly of any material delay and will specify the revised delivery date as soon as practicable. UNDER NO CIRCUMSTANCES SHALL SELLER HAVE ANY LIABILITY WHATSOEVER FOR LOSS OF USE OR FOR ANY DIRECT OR CONSEQUENTIAL DAMAGES RESULTING FROM DELAY REGARDLESS OF THE REASON(S).

All product(s) will be shipped F.O.B. point of origin, unless specifically agreed otherwise, and Buyer shall pay all shipping costs and insurance costs from that point. Seller, in its sole discretion, will determine and arrange the means and manner of transportation of the product(s). Buyer shall bear all risk of loss commencing with the shipment or distribution of the product(s) from Seller's warehouse. Order shortages or errors must be reported within fifteen (15) business days from receipt of shipment to secure adjustment. No product(s) may be returned without securing written approval from Seller.

5. Modification. These Terms and Conditions are intended by Seller and Buyer to constitute a final, complete and exclusive expression of agreement relating to the subject matter hereof and cannot be supplemented or amended without Seller's prior written approval.

6. Omission. Seller's waiver of any breach or Seller's failure to enforce any of these Terms and Conditions at any time, shall not in any way affect, limit or waive Seller's right thereafter to enforce and compel strict compliance with every term and condition hereof.

7. Severability. If any provision of these Terms and Conditions is held to be invalid or unenforceable, such invalidity or unenforceability shall not affect the validity or enforceability of the other portions hereof.

8. Disputes. Seller and Buyer shall attempt in good faith to promptly resolve any dispute arising under these Terms and Conditions by negotiations between representatives who have authority to settle the controversy. If unsuccessful, Seller and Buyer shall further attempt in good faith to settle the dispute by nonbinding third-party mediation, with fees and expenses of such mediation apportioned equally to each side. Any dispute not so resolved by negotiation or mediation may then be submitted to a court of competent jurisdiction in accordance with the terms hereof. These procedures are the exclusive procedures for the resolution of all such disputes between the Seller and Buyer.

TERMS AND CONDITIONS AND WARRANTY INFORMATION

9. Governing Law. All sales, agreements for sale, offers to sell, proposals, acknowledgments and contracts of sale, including, but not limited to, purchase orders accepted by Seller, shall be considered a contract under the laws of the State of Colorado and the rights and duties of all persons, and the construction and effect of all provisions hereof shall be governed by and construed according to the laws of such state.

10. Jurisdiction and Venue. Seller and Buyer agree that the state or federal courts located within the City and County of Denver, Colorado shall have sole and exclusive jurisdiction over any litigation concerning any dispute arising under these Terms and Conditions not otherwise resolved pursuant to Section 9 as well as any alleged defects of any Products or damages sustained as a result of such alleged defects. Seller and Buyer further agree that should any litigation be commenced in connection with such a dispute, it shall only be commenced in such courts. Seller and Buyer agree to the exclusive jurisdiction of such courts and neither will raise any objection to the jurisdiction and venue of such courts, including as a result of inconvenience.

11. Attorney's Fees. If any litigation is commenced between Seller and Buyer, or their personal representatives, concerning any provision hereof, the party prevailing in the litigation shall be entitled, in addition to such other relief that is granted, to a reasonable sum as and for their attorneys' fees and costs in such litigation or mediation.

STONEAGE TRADEMARK LIST

View the list of StoneAge's trademarks and service marks and learn how the trademarks should be used. Use of StoneAge trademarks may be prohibited, unless expressly authorized.

<http://www.StoneAgetools.com/trademark-list/>

STONEAGE PATENT DATA

View the list of StoneAge's current U.S. patent numbers and descriptions.

PAT <http://www.sapatents.com>

STONEAGE TERMS AND WARRANTY

View StoneAge's Terms and Warranty Conditions online.

<http://www.stoneagetools.com/terms>

<http://www.stoneagetools.com/warranty>

TERMS AND CONDITIONS AND WARRANTY INFORMATION

WARRANTY:

Warranties set forth herein extend only to End-Users, meaning customers acquiring, or that have previously acquired, a product manufactured by StoneAge ("Product") for their own use and not for resale, either directly from StoneAge Inc. ("StoneAge") or from a StoneAge Authorized Dealer or Reseller ("Dealer"). No warranty of any kind or nature is made by StoneAge beyond those expressly stated herein.

1. LIMITED WARRANTY PERIOD. Subject to the limitations and conditions hereinafter set forth, StoneAge warrants its Product to be free from defects in workmanship and material for a period of one (1) year from the date of purchase by the End-User, provided that the end of the limited warranty period shall not be later than eighteen (18) months from the date of shipment of the Product to the Dealer or the End-User by StoneAge ("Limited Warranty Period"). All replacement parts which are furnished under this Limited Warranty and properly installed shall be warranted to the same extent as the original Product under this Limited Warranty if, and only if, the original parts were found to be defective within the original Limited Warranty Period covering the original Product. Replacement parts are warranted for the remainder of the original Limited Warranty Period. This Limited Warranty does not cover any component part of any Product not manufactured by StoneAge. Any such component part is subject exclusively to the component manufacturer's warranty terms and conditions.

2. LIMITED WARRANTY COVERAGE. StoneAge's sole obligation under this Limited Warranty shall be, at StoneAge's option and upon StoneAge's inspection, to repair, replace or issue a credit for any Product which is determined by StoneAge to be defective in material or workmanship. StoneAge reserves the right to examine the alleged defective Product to determine whether this Limited Warranty is applicable, and final determination of limited warranty coverage lies solely with StoneAge. No statement or recommendation made by a StoneAge representative, Dealer or agent to End-User shall constitute a warranty by StoneAge or a waiver or modification to any of the provisions hereof or create any liability for StoneAge.

3. WARRANTY SERVICE PROVIDERS. Service and repair of the Product is to be performed only by StoneAge authorized service representatives, including Dealers who are authorized repair centers, with StoneAge approved parts. Information about StoneAge authorized service representatives can be obtained through the StoneAge website at www.stoneagetools.com/service. Unauthorized service, repair or modification of the Product or use of parts not approved by StoneAge will void this Limited Warranty. StoneAge reserves the right to change or improve the material and design of the Product at any time without notice to End-User, and StoneAge is not obligated to make the same improvements during warranty service to any Product previously manufactured.

4. WARRANTY EXCLUSIONS. This Limited Warranty does not cover, and StoneAge shall not be responsible for the following, or damage caused by the following: (1) any Product that has been altered or modified in any way not approved by StoneAge in advance in writing; (2) any Product that has been operated under more severe conditions or beyond the rated capacity specified for that Product; (3) depreciation or damage caused by normal wear and tear, failure to follow operation or installation instructions, misuse, negligence or lack of proper protection during storage; (4) exposure to fire, moisture, water intrusion, electrical stress, insects, explosions, extraordinary weather and/or environmental conditions including, but not limited to lightning, natural disasters, storms, windstorms, hail, earthquakes, acts of God or any other force majeure event; (5) damage to any Product caused by any attempt to repair, replace, or service the Product by persons other than StoneAge authorized service representatives; (6) costs of normal maintenance parts and services; (7) damage sustained during unloading, shipment or transit of the Product; or (8) failure to perform the recommended periodic maintenance procedures listed in the Operator's Manual accompanying the Product.

5. REQUIRED WARRANTY PROCEDURES. To be eligible for warranty service, the End-User must: (1) report the Product defect to the entity where the Product was purchased (i.e. StoneAge or the Dealer) within the Limited Warranty Period specified in this Limited Warranty; (2) submit the original invoice to establish ownership and date of purchase; and (3) make the Product available to a StoneAge authorized service representative for inspection to determine eligibility for coverage under this Limited Warranty. This Limited Warranty shall not extend to any person or entity who fails to provide proof of original purchase from StoneAge or a Dealer. No Product may be returned for credit or adjustment without prior written permission from StoneAge.

6. DISCLAIMER OF IMPLIED WARRANTIES AND OTHER REMEDIES. EXCEPT AS EXPRESSLY STATED HEREIN (AND TO THE FULLEST EXTENT ALLOWED UNDER APPLICABLE LAW), STONEAGE HEREBY DISCLAIMS ALL OTHER WARRANTIES, EXPRESS OR IMPLIED, INCLUDING WITHOUT LIMITATION ALL IMPLIED WARRANTIES OF MERCHANTABILITY OR FITNESS FOR A PARTICULAR PURPOSE, AND ANY AND ALL WARRANTIES, REPRESENTATIONS OR PROMISES AS TO THE QUALITY, PERFORMANCE OR FREEDOM FROM DEFECT OF THE PRODUCT COVERED BY THIS LIMITED WARRANTY. STONEAGE FURTHER DISCLAIMS ALL IMPLIED INDEMNITIES.

TERMS AND CONDITIONS AND WARRANTY INFORMATION

7. LIMITATION OF LIABILITY. End-User specifically acknowledges that the Product may be operated at high speeds and/or pressures, and that as such it may be inherently dangerous if not used correctly. End-User shall familiarize itself with all operation materials provided by StoneAge and shall at all times use and require its agents, employees and contractors to use all necessary and appropriate safety devices, guards and proper safe operating procedures. In no event shall StoneAge be responsible for any injuries to persons or property caused directly or indirectly by the operation of the Product if End-User or any agent, employee, or contractor of End-User: (1) fails to use all necessary and appropriate safety devices, guards and proper safe operating procedures; (2) fails to maintain in good working order such safety devices and guards; (3) alters or modifies the Product in any way not approved by StoneAge in advance in writing; (4) allows the Product to be operated under more severe conditions or beyond the rated capacity specified for the Product; or (5) otherwise negligently operates the Product. End-User shall indemnify and hold StoneAge harmless from any and all liability or obligation incurred by or against StoneAge, including costs and attorneys' fees, to or by any person so injured.

TO THE FULL EXTENT ALLOWED BY APPLICABLE LAW, STONEAGE SHALL NOT BE LIABLE FOR ANY INDIRECT, SPECIAL, INCIDENTAL, CONSEQUENTIAL, OR PUNITIVE DAMAGES (INCLUDING WITHOUT LIMITATION, LOSS OF PROFITS, LOSS OF GOODWILL, DIMINUTION OF VALUE, WORK STOPPAGE, INTERRUPTION OF BUSINESS, RENTAL OF SUBSTITUTE PRODUCT, OR OTHER COMMERCIAL LOSS EVEN TO THE EXTENT SUCH DAMAGES WOULD CONSTITUTE DIRECT DAMAGES), WITH RESPECT TO THE COVERED STONEAGE PRODUCT, OR OTHERWISE IN CONNECTION WITH THIS LIMITED WARRANTY, REGARDLESS OF WHETHER STONEAGE HAS BEEN ADVISED OF THE POSSIBILITY OF SUCH DAMAGES.

IT IS UNDERSTOOD THAT STONEAGE'S LIABILITY, WHETHER IN CONTRACT, IN TORT, UNDER ANY WARRANTY, IN NEGLIGENCE, OR OTHERWISE SHALL NOT EXCEED THE AMOUNT OF THE PURCHASE PRICE PAID BY THE END-USER FOR THE PRODUCT. STONEAGE'S MAXIMUM LIABILITY SHALL NOT EXCEED, AND END-USER'S REMEDY IS LIMITED TO EITHER (1) REPAIR OR REPLACEMENT OF THE DEFECTIVE WORKMANSHIP OR MATERIAL OR, AT STONEAGE'S OPTION, (2) REFUND OF THE PURCHASE PRICE, OR (3) ISSUANCE OF A CREDIT FOR THE PURCHASE PRICE, AND SUCH REMEDIES SHALL BE END-USER'S ENTIRE AND EXCLUSIVE REMEDY.

YOU, THE END-USER, UNDERSTAND AND EXPRESSLY AGREE THAT THE FOREGOING LIMITATIONS ON LIABILITY ARE PART OF THE CONSIDERATION IN THE PRICE OF THE STONEAGE PRODUCT YOU PURCHASED.

Some jurisdictions do not allow the limitation or exclusion of liability for certain damages, so the above limitations and exclusions may not apply to you. This Limited Warranty gives you specific legal rights, and you may also have other rights which vary from jurisdiction to jurisdiction. If any provisions of this Limited Warranty is held to be invalid or unenforceable, such invalidity or unenforceability shall not affect the validity or enforceability of the other portions hereof.



1-866-795-1586 • www.STONEAGETOOLS.com

© 2023 StoneAge, Inc. All Rights Reserved