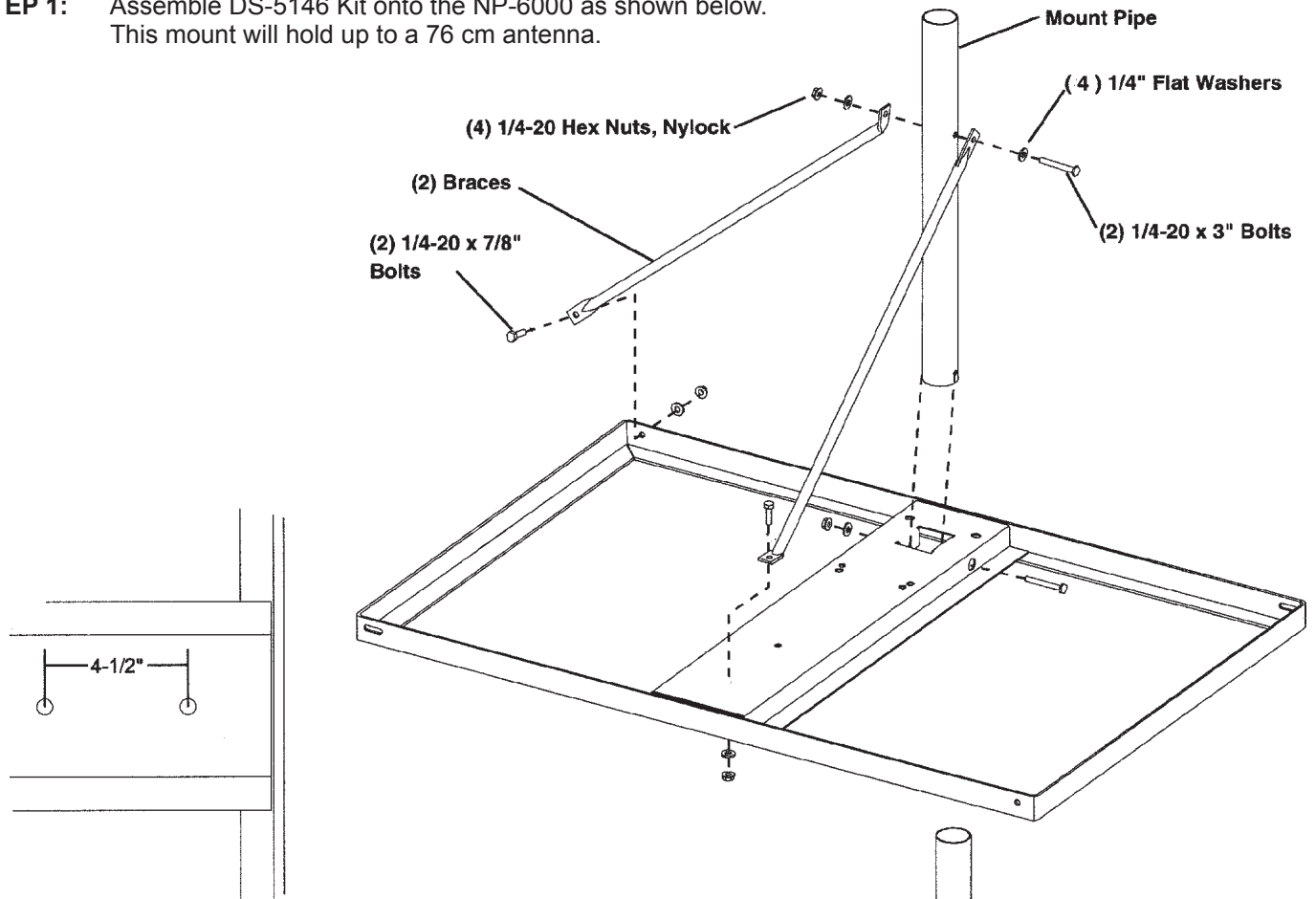


WINEGARD®

Non-Penetrating Roof Mount Model DS-5146 Assembly Instructions Made in U.S.A.

STEP 1: Assemble DS-5146 Kit onto the NP-6000 as shown below.
This mount will hold up to a 76 cm antenna.



STEP 2: A layer of 6 (six) concrete blocks may be arranged in the frame as shown. Additional layers of concrete blocks may be added as needed.

WINEGARD MOUNT DISCLAIMER

To insure maximum safety, Winegard recommends no installation be attempted without a professional engineer's structural analysis. Local zoning and/or building codes and insurance companies may require architect or structural engineer approval prior to installation. It is the purchaser's responsibility to verify that the above steps are taken.

