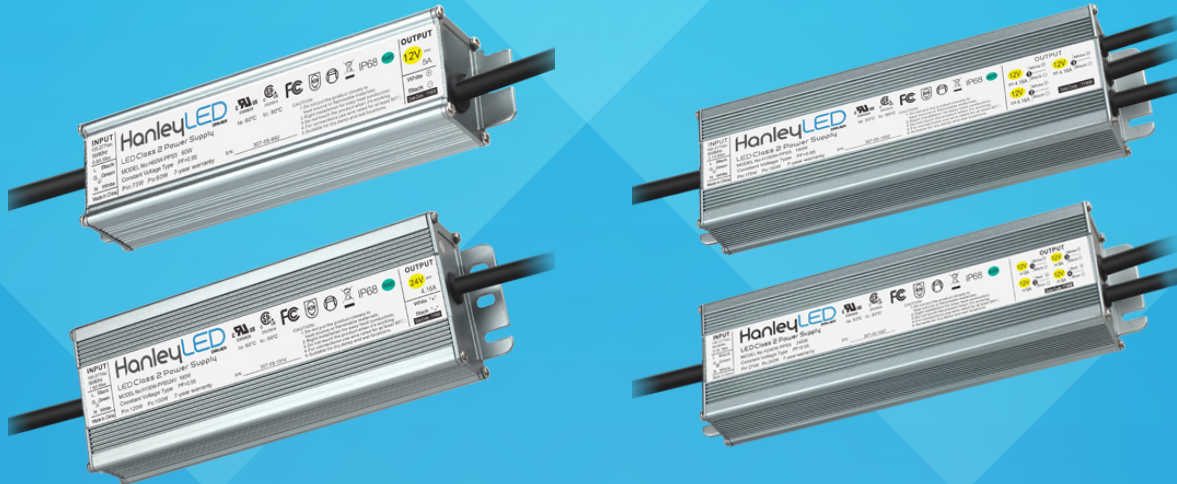
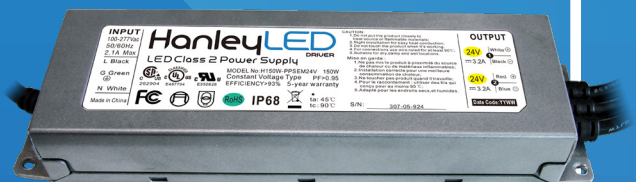


HanleyLED™

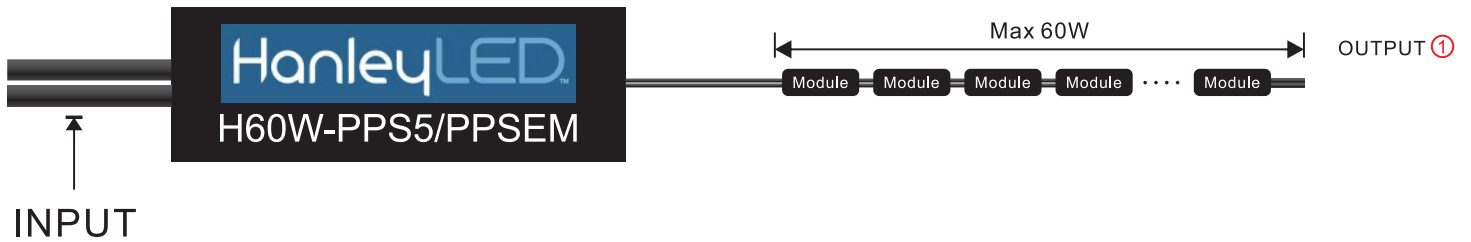


Proper Class 2 Wiring Guides PPS5/PPSEM



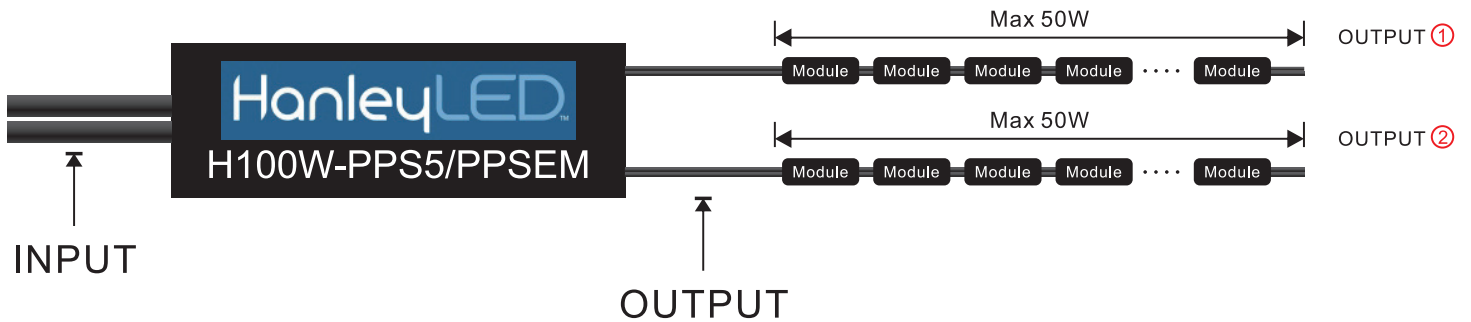
H60W-PPS5/PPSEM

12V/24V

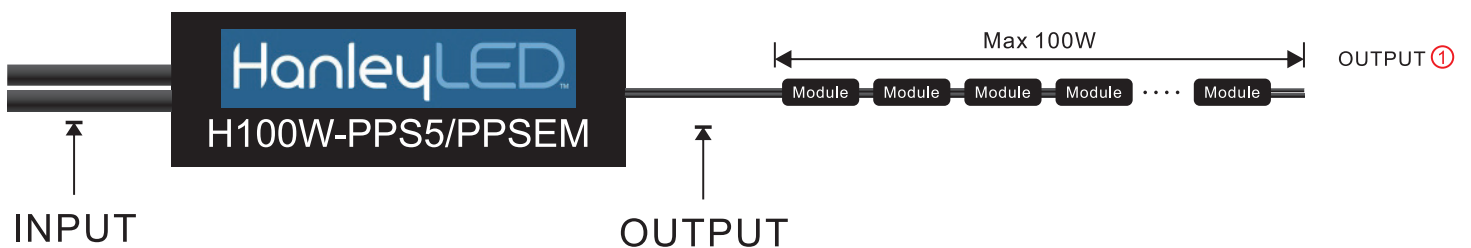


H100W-PPS5/PPSEM

12V

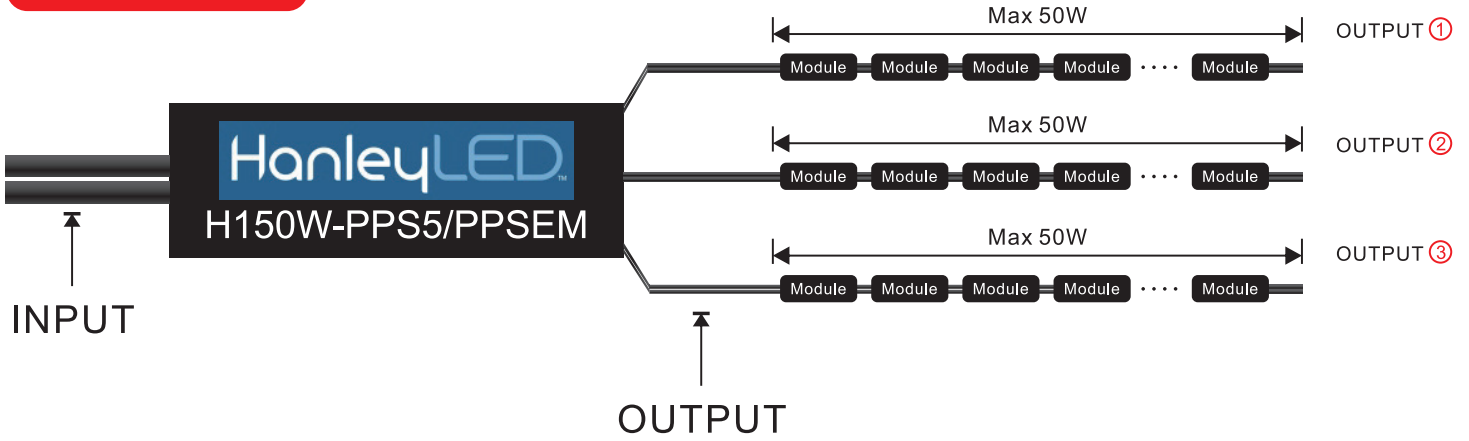


24V

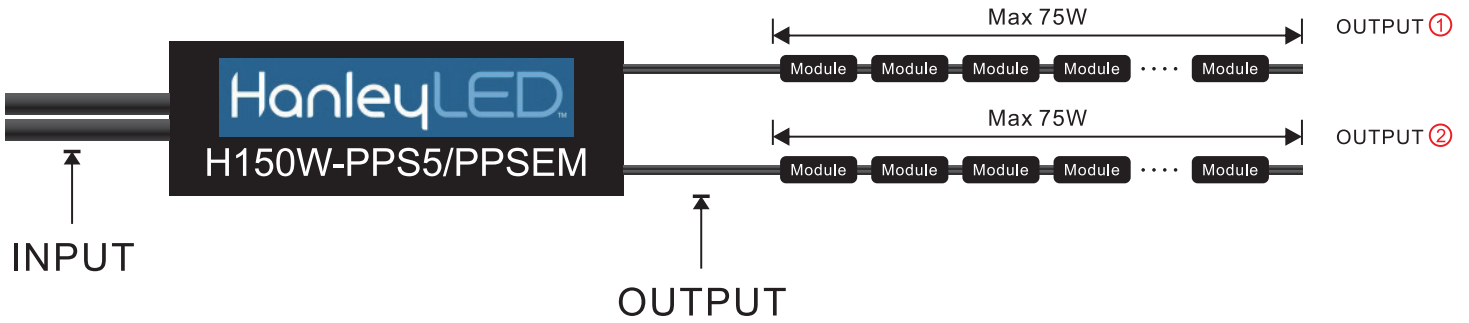


H150W-PPS5/PPSEM

12V

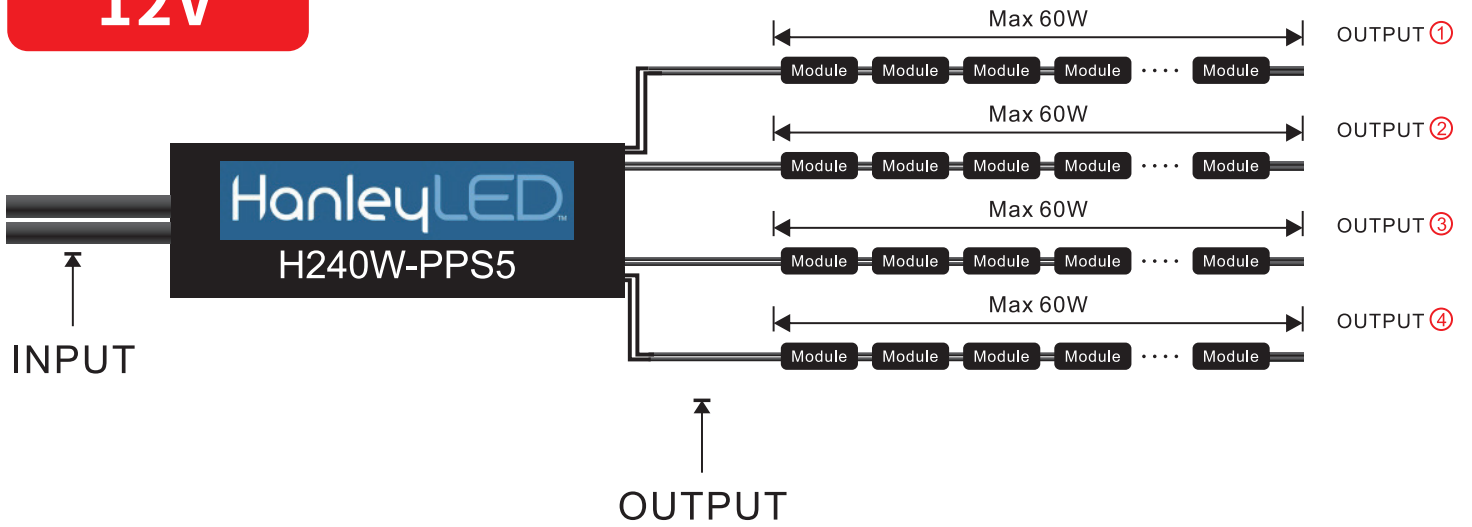


24V



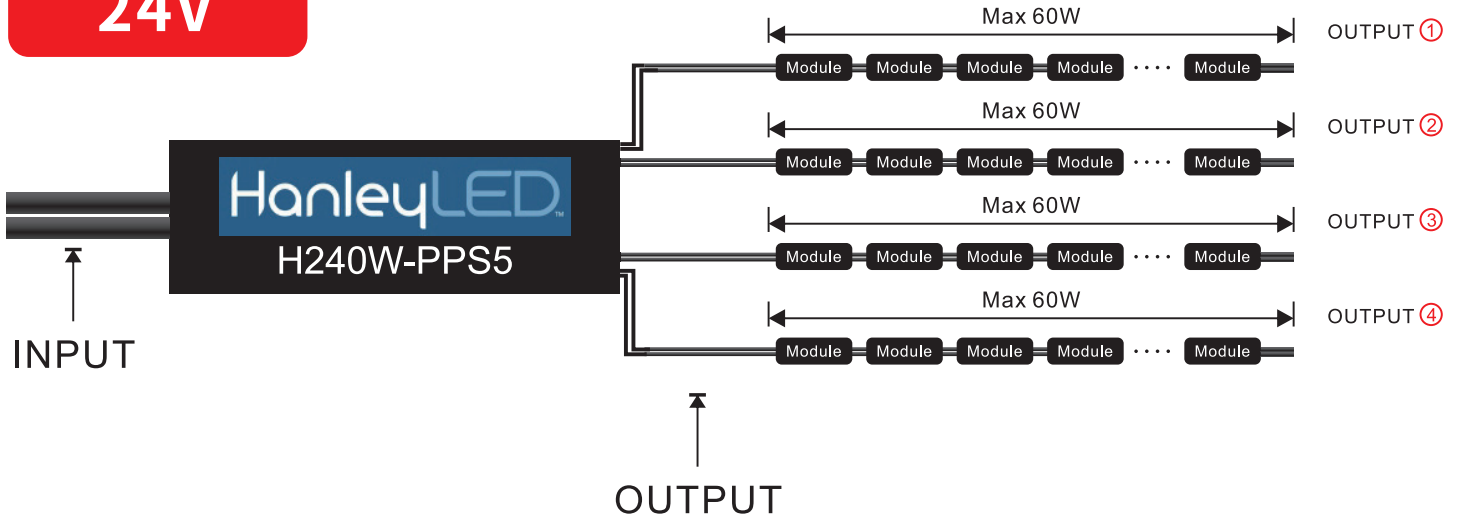
H240W-PPS5

12V



H240W-PPS524V

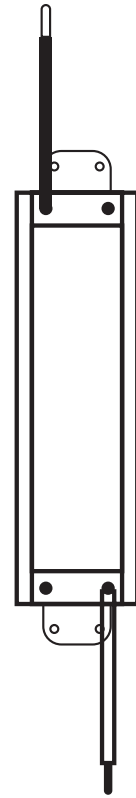
24V



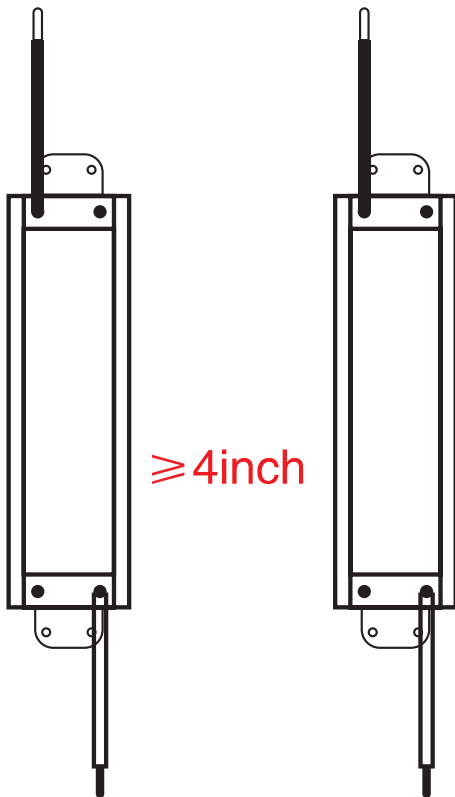
Spacing Between Power Supplies



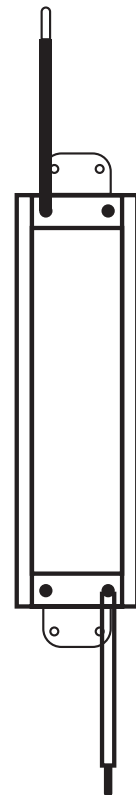
≥ 4inch



≥ 1inch



≥ 4inch



UL 48 Standard requires spacing between LED power supplies shall be at least 1 inch from end to end and 4 inches from side to side. This is to ensure adequate heat dissipation. Greater spacing may be required when heat ventilation in the sign or power supply enclosure is not adequate.