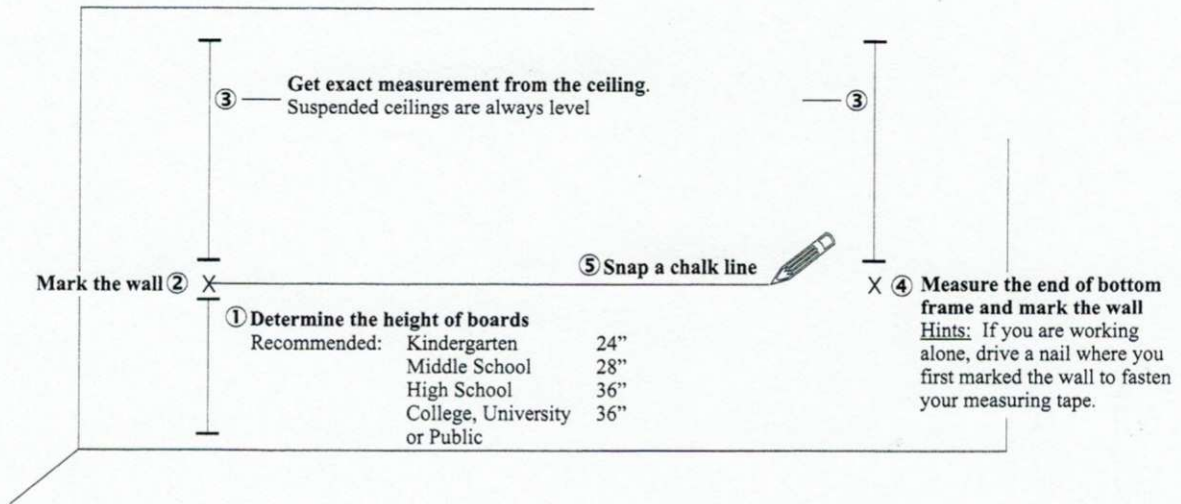


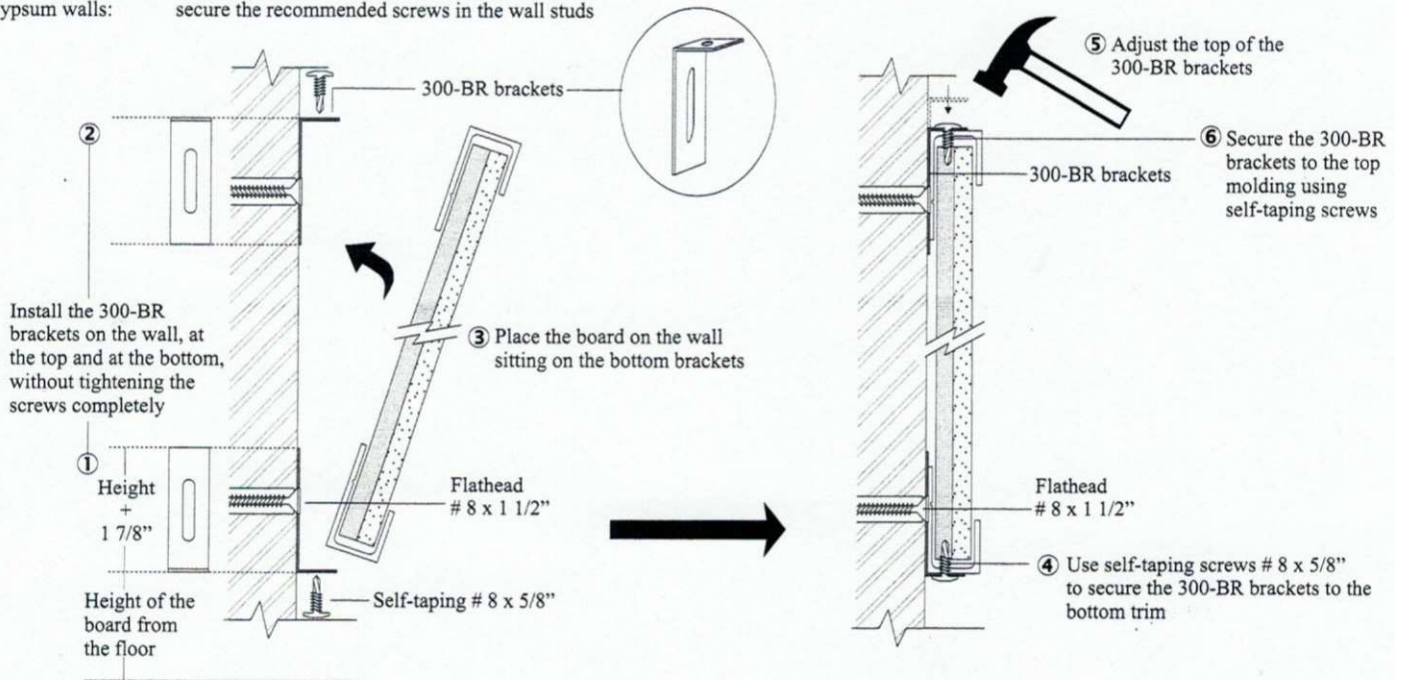
INSTALLATION INSTRUCTIONS

A) BEGIN BY MARKING THE EXACT POSITION OF BOARD ON WALL



B) FACTORY ASSEMBLED BOARD

Concrete block walls: use the recommended screws and raw plugs
Gypsum walls: secure the recommended screws in the wall studs



How many brackets to use?

