

## ARGENTINE CHARCOAL GRILL

### Main features:



**Height adjustable grates**  
 Regulates cooking temperature.



**Fire bricks**  
 Help distribute heat uniformly and extend the life of the grill.



**Firebox "brasero"**  
 Lights up charcoal quicker.



**Clamp grill**  
 A different grilling surface to help you cook pretty much anything.

### Includes:



**Interchangeable griddle.**



**Height adjustable secondary grate.**



**SST shovel & coal rake.**



**S shape meat hooks.**



**Small fixed grill.**

\*available as an additional accessory



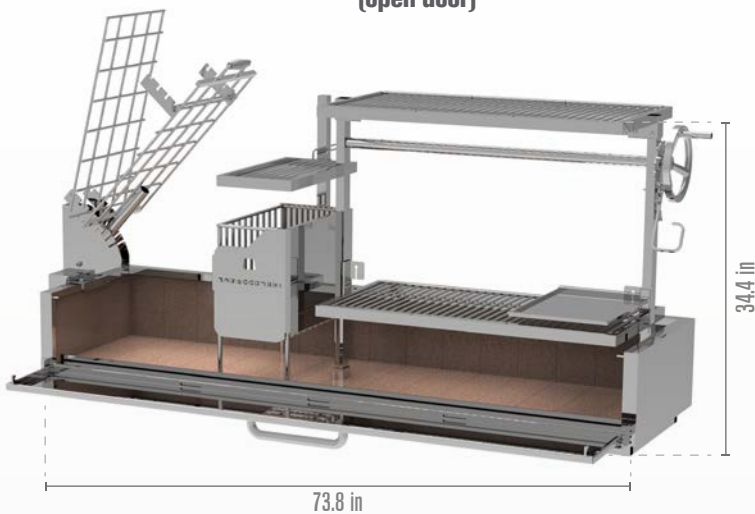
**ROOF TOP GRILL AVAILABLE AS AN ADDITIONAL ACCESSORY**

### Specifications:

Main grilling area	33.5" x 16.5"	Net weight lb	450	S shape meat hooks material	Stainless steel 304
Optional fixed small grill	16.5" x 16.5" x 6.5"	Optional Roof Grill	33.5" x 16.5"	Maximum grate elevation	20 inches
Clamp grill dimensions	13.3" x 23.2"	Dimensions inches	34.4Hx73.8Wx23.8D	Minimum grate elevation	2.5 inch
Total grilling area	825-865 SQ IN	Secondary grate material	Stainless steel 304	Front access door	Yes
Main body / Grates material	Stainless steel 304	Griddle material	Stainless steel 304	Limited warranty	5 years

### Measurements:

Front view (open door)



Front view (closed door)

