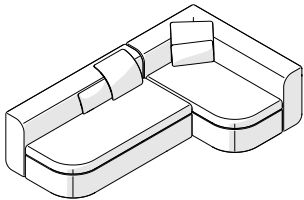


ASSEMBLY INSTRUCTIONS

SIRIUS MODULAR SOFA BY ANTHONY GUERREE

These instructions detail how to join Sirius Sofa modules.



PARTS

Sofa modules to match your order

1x Velcro strip per connection point

YOU WILL NEED

The help of a friend

NOTES

NOTE 1: Be certain that all assembly is carried out on a flat and stable surface. This will ensure a good final result. Reverse the steps to disassemble the piece.

NOTE 2: Your furniture arrives packed in numerous layers that protect it during transport. It is important that you remove the packaging carefully to avoid damaging your furniture. Refer to our information sheet "Unpacking Your Furniture" for further details.

NOTE 3: Great care is required when assembling our products as they can mark very easily if banged or dropped. Use blankets to soften the assembly surface - hard surfaces such as wood or stone flooring may damage the furniture if in direct contact.

NOTE 4: We advise that assembly and disassembly of De La Espada furniture is undertaken by a minimum of 2 people.

NOTE 5: While you work, be sure all connections are flush with no gaps.

O

1

A

N

T

H

O

N

Y

G

U

E

R

R

E

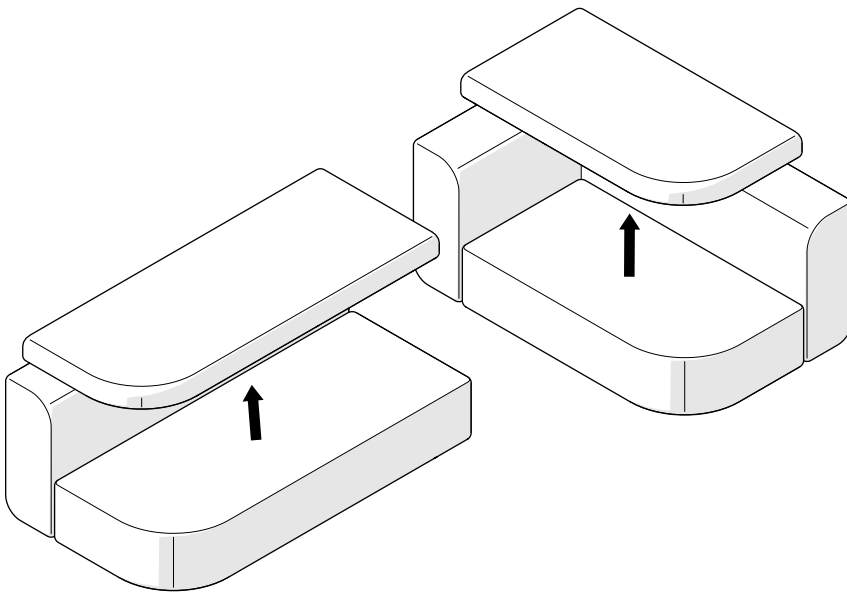
E

ASSEMBLY INSTRUCTIONS CONTINUED
SIRIUS MODULAR SOFA

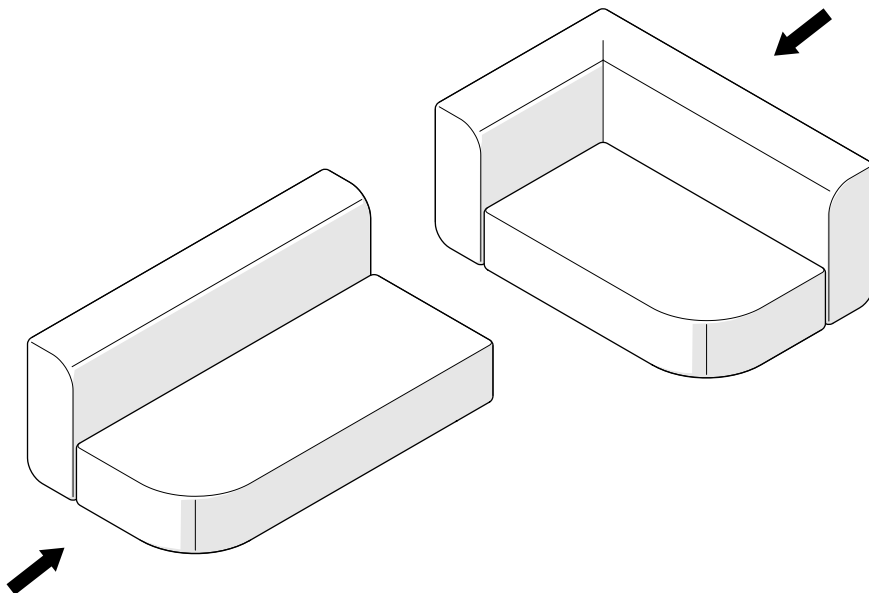
INSTRUCTIONS

1) CONNECT THE SOFA MODULES

a) Unpack the sofa modules, and set them out so they are in the correct orientation according to your order. Remove the seat cushions and place them to one side.



b) Push the modules together so they meet in the correct configuration.

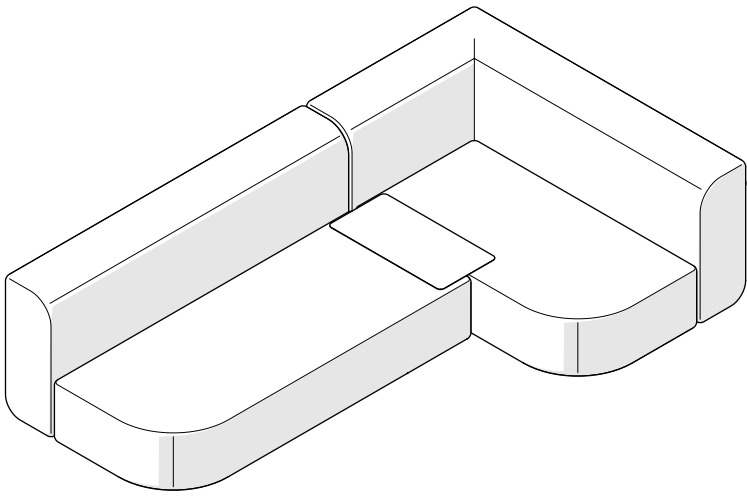
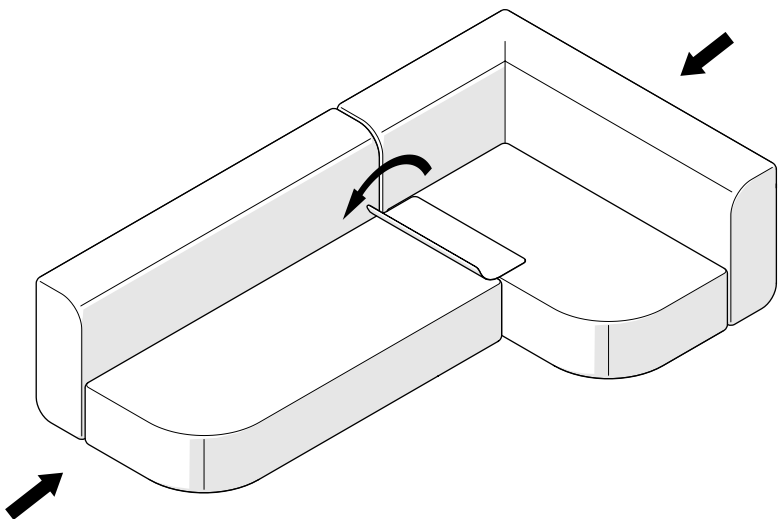


0
2
A
N
T
H
O
N
Y
G
U
E
R
R
E
E

ASSEMBLY INSTRUCTIONS CONTINUED
SIRIUS MODULAR SOFA

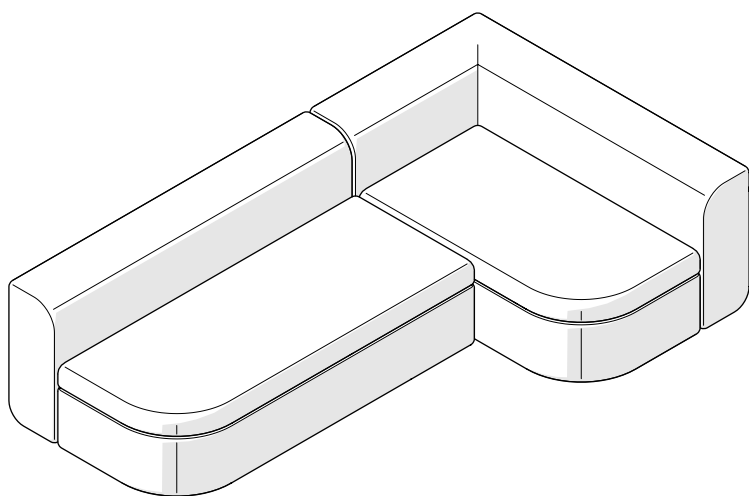
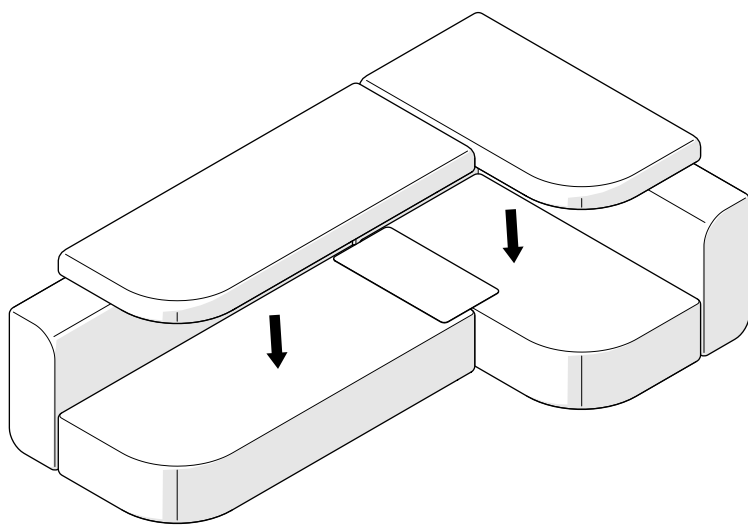
c) At each point where two modules meet, attach a Velcro strip, equally divided across the two modules. Ensure the Velcro is in the right orientation (connecting male and female), and firmly push the modules together while you attach the strip to ensure the best connection.

0
3
A
N
T
H
O
N
Y
G
U
E
R
R
E
E



ASSEMBLY INSTRUCTIONS CONTINUED
SIRIUS MODULAR SOFA

d) Place the seat cushions back into position on the modules.

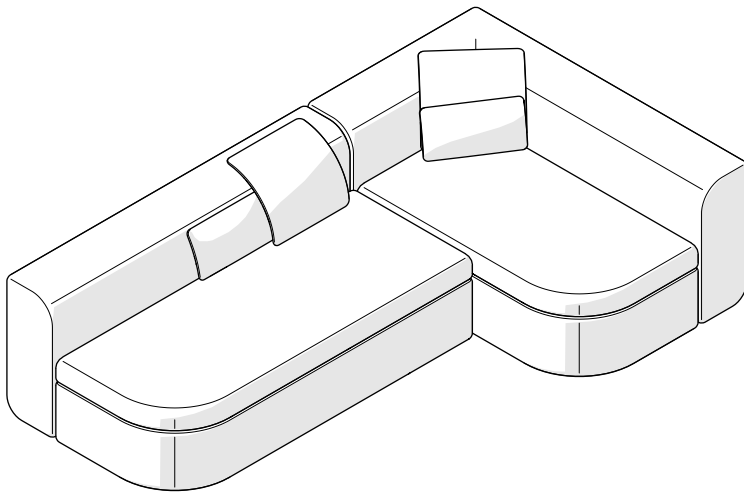


0
4
A
N
T
H
O
N
Y
G
U
E
R
R
E
E

ASSEMBLY INSTRUCTIONS CONTINUED

SIRIUS MODULAR SOFA

e) Place the scatter cushions onto the sofa. The sofa is now ready for use.



0
5
A
N
T
H
O
N
Y
G
U
E
R
R
E
E