



## Double Cone Sconce

The Double Cone Sconce features two tapered cones, in either black or white, with small perforations at both ends with a brass backplate and spacer.

\$650

DIMENSIONS 4W 6D 17H

SHADES POWDERCOATED METAL

POWDERCOAT FINISHES  GLOSS WHITE  MATTE BLACK

ARM AND SPACER LACQUERED BRASS

BRASS FINISHES  SATIN  ANTIQUE  BLACKENED

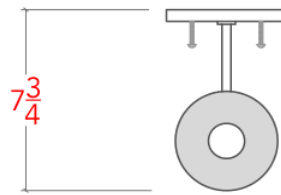
LAMPING 2 MEDIUM BASE BULBS  
MAX 40W

Made in LA

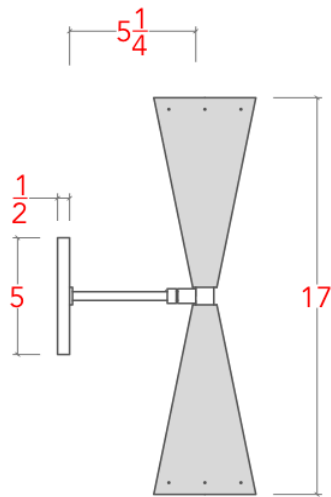


BULB TYPE-

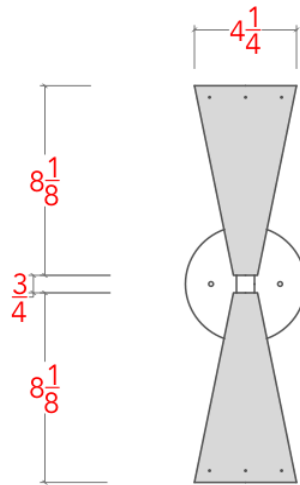
SATCO (S3815)  
25W (A15)  
FROST



PLAN



SECTION



ELEVATION

### Double Cone Sconce

Made  
in  
LA