

**Dessau Wall****700DES12, 700DES18, 700DES24** 1.1**WALL****GENERAL PRODUCT INFORMATION:**

These fixtures are intended to be installed utilizing NEC compliant junction boxes.



**Use approximate 2x4 single gang junction box or provided goof plate to completely cover the junction box.**

This product is suitable for damp locations.

This product can be dimmed with most ELV or TRIAC dimmers.

This instruction shows a typical installation.

**CAUTION - RISK OF FIRE**

This product must be installed in accordance with the applicable installation code by a person familiar with the construction and operation of the product and the hazards involved.

Use minimum 90°C supply conductors.



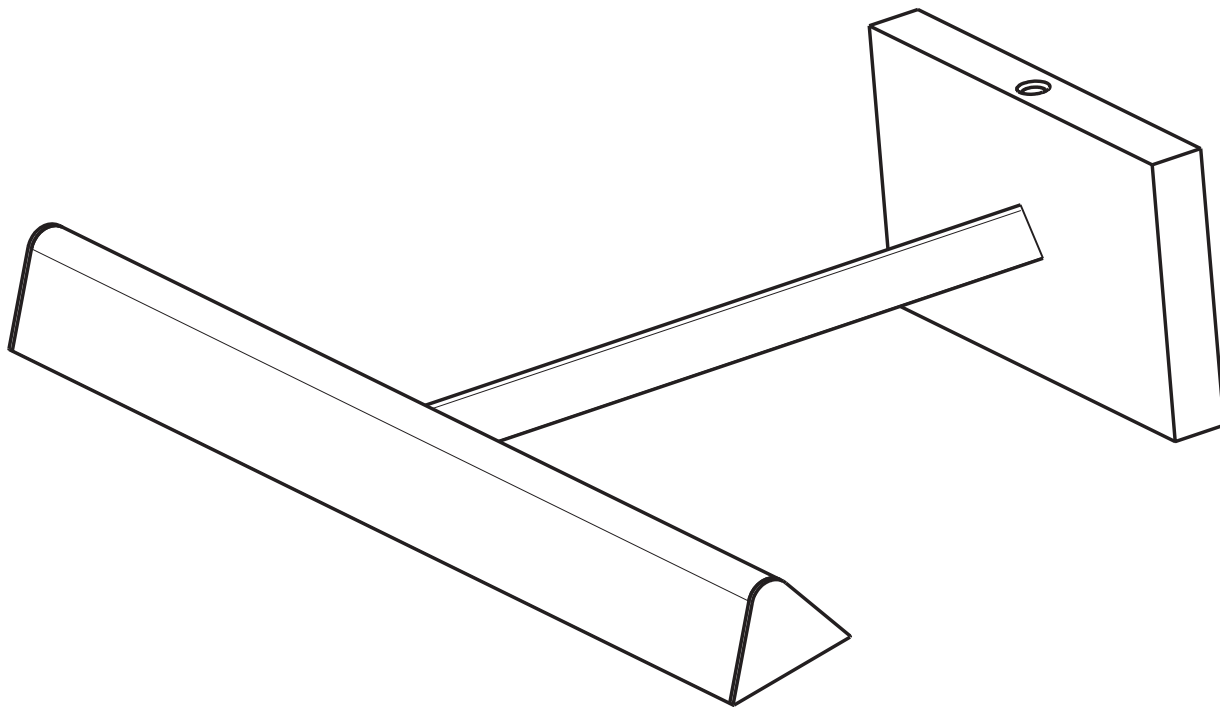
7400 Linder Ave, Skokie, IL 60077

847.410.4400

**[www.techlighting.com](http://www.techlighting.com)**

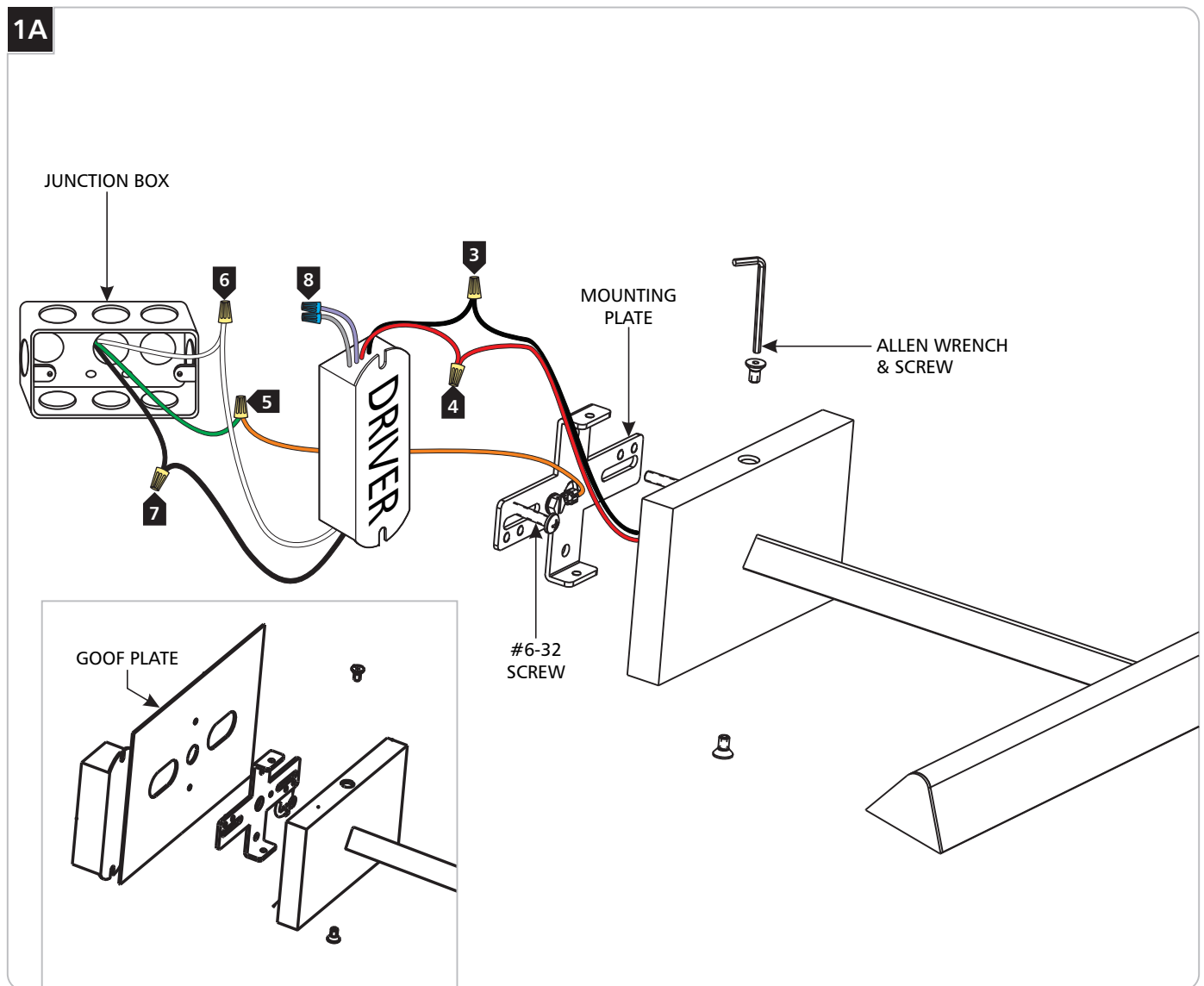
© 2020 Tech Lighting, L.L.C. All rights reserved.

Visual Comfort Group

**SAVE THESE INSTRUCTIONS!**

## Install the Fixture

1A



- 1 With the provided Allen wrench, remove the Allen screws on the fixture base.
- 2 Remove the mounting plate from the fixture base
- 3 Connect the black/blue driver wire to the black/blue fixture wire with a wire nut.
- 4 Connect the red driver wire to the red fixture wire with a wire nut.
- 5 Connect the fixture to a suitable ground in accordance with local electrical codes.
- 6 Connect the white driver wire to the neutral power line with a wire nut.
- 7 Connect the black driver wire to the hot power line with a wire nut.
- 8 **For 277V Only:** Connect the purple and gray wires to a compatible dimmer. If not using 0-10V dimming, cap off the purple and gray wires.
- 9 Properly place the driver, all wires, and wire nut connections into the junction box, and install the mounting plate to the junction box with the two #6-32 screws provided. **NOTE: Must use approximate 2x4 junction box or goof plate to completely cover the junction box.**
- 10 Mount the fixture base onto the mounting plate, and secure it in place by reinstalling the Allen screws using the provided Allen wrench.