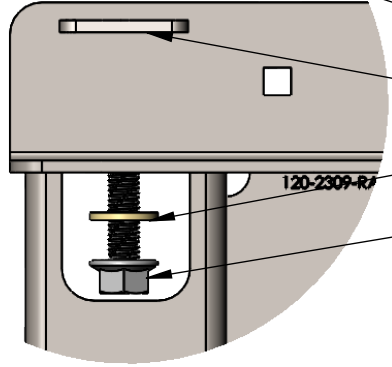


2

1

DRIVER & PASSENGER SIDE ROCK SLIDER



- 1/2" FLANGE NUT (x2)
- SQUARE NUT PLATE (x2)
- 1/2" FLAT WASHER (x4)
- 1/2"x1-1/2" FLANGE BOLT (x4)

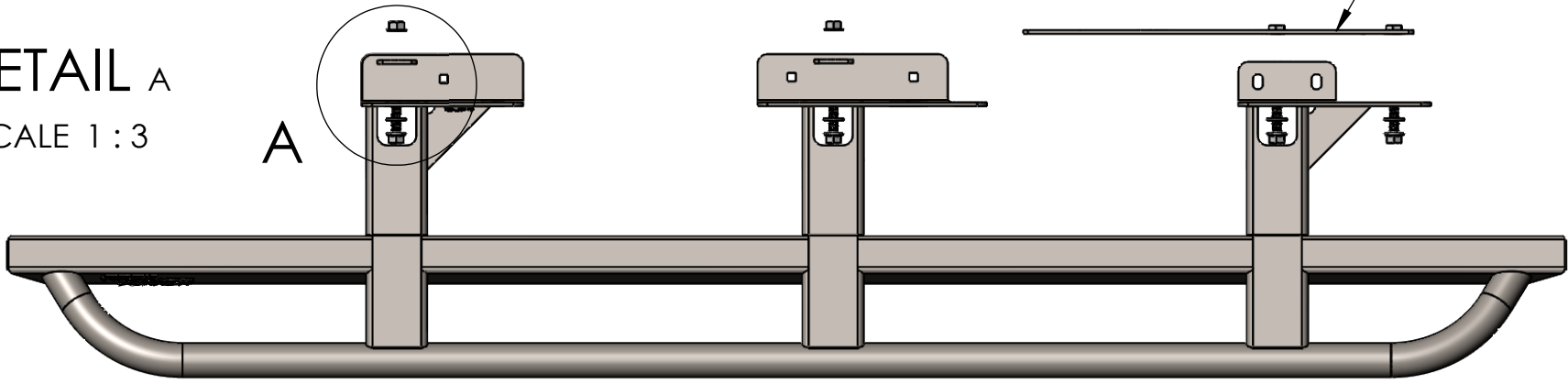
PASSENGER SIDE NUT STICK



DETAIL A

SCALE 1 : 3

A



B

B

A

A

NOTE: HARDWARE QUANTITIES ARE LISTED PER EACH SIDE.

FRAME MODELS VARY, USE ALL APPLICABLE HOLES



PROPRIETARY AND CONFIDENTIAL
 THE INFORMATION CONTAINED IN THIS DRAWING IS THE SOLE PROPERTY OF C4 FABRICATION, LLC. ANY REPRODUCTION IN PART OR AS A WHOLE WITHOUT THE WRITTEN PERMISSION OF C4 FABRICATION, LLC IS PROHIBITED.

MATERIAL

	NAME	DATE
DRAWN	EJK	11/21/23
CHECKED		
ENG APPR.		
MFG APPR.		
Q.A.		
COMMENTS:		

C4 FABRICATION

TITLE:
2016-2023 TACOMA ROCK RUNNER ROCK SLIDERS

SIZE A	DWG. NO.	REV A
------------------	----------	-----------------

2

1

2

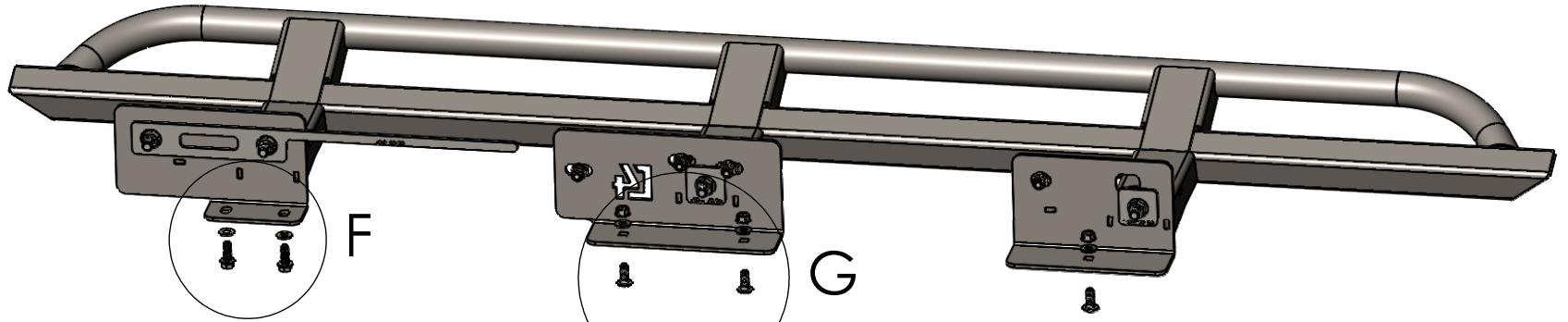
1

DRIVER & PASSENGER SIDE ROCK SLIDER

HARDWARE INTO BOTTOM OF FRAME RAIL IS OPTIONAL AND REQUIRES DRILLING

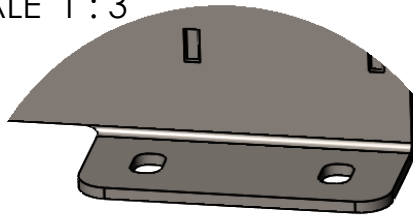
B

B

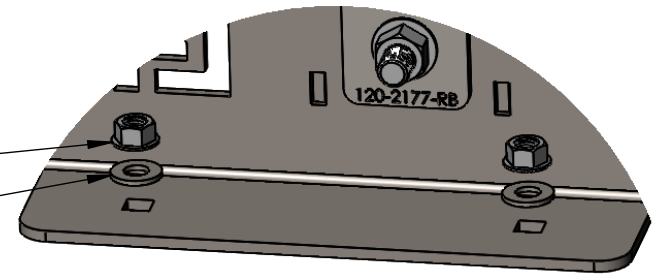


DETAIL F

SCALE 1 : 3



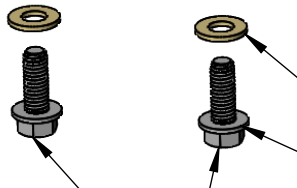
- 3/8" FLANGE NUT (x3)
- 3/8" FLAT WASHER (x3)
- 3/8"x1 CARRIAGE HEAD BOLT (x3)



DETAIL G

SCALE 1 : 3

- 3/8" GR8 FLAT WASHER (x2)
- 3/8" THREAD CUTTING BOLT (x2)




DRILL 5/16" HOLE FOR
THREAD CUTTING BOLTS

NOTE: HARDWARE QUANTITIES ARE LISTED
PER EACH SIDE.

A

A

 PROPRIETARY AND CONFIDENTIAL THE INFORMATION CONTAINED IN THIS DRAWING IS THE SOLE PROPERTY OF C4 FABRICATION, LLC. ANY REPRODUCTION IN PART OR AS A WHOLE WITHOUT THE WRITTEN PERMISSION OF C4 FABRICATION, LLC IS PROHIBITED.	NAME	DATE	C4 FABRICATION TITLE: 2016-2023 TACOMA ROCK RUNNER ROCK SLIDERS	
	DRAWN	EJK		11/21/23
	CHECKED			
	ENG APPR.			
	MFG APPR.			
MATERIAL	COMMENTS:		SIZE A DWG. NO. REV A DO NOT SCALE DRAWING SHEET 2 OF 4	

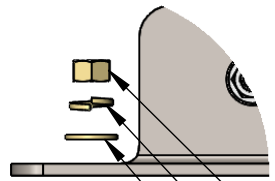
2

1

2

1

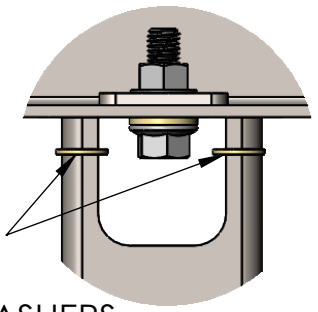
DRIVER SIDE ROCK SLIDER



- 3/8" GR8 NUT (x2)
- 3/8" GR8 LOCK WASHER (x2)
- 3/8" GR8 FLAT WASHER (x4)
- 3/8"x1" GR8 BOLT (x2)

DETAIL K

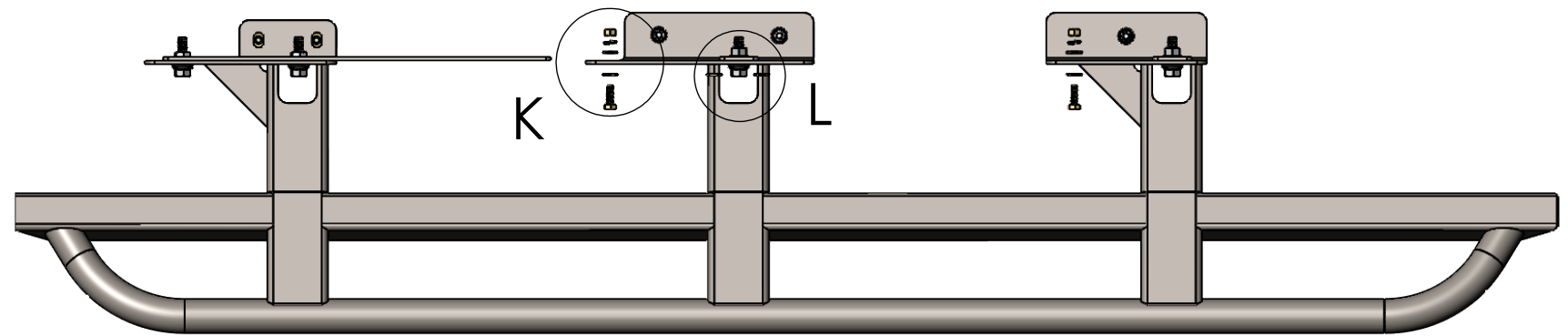
SCALE 1 : 3



3/8" GR8 FLAT WASHER (x2)
 USE FACORY M6 NUTS AND
 SUPPLIED 3/8" GR8 FLAT WASHERS
 TO ATTACH TO STUDS ON FRAME

DETAIL L

SCALE 1 : 3



K

L

B

B

A

A

NOTE: HARDWARE QUANTITIES ARE LISTED PER EACH SIDE.

FRAME MODELS VARY, USE ALL APPLICABLE HOLES



PROPRIETARY AND CONFIDENTIAL
 THE INFORMATION CONTAINED IN THIS DRAWING IS THE SOLE PROPERTY OF C4 FABRICATION, LLC. ANY REPRODUCTION IN PART OR AS A WHOLE WITHOUT THE WRITTEN PERMISSION OF C4 FABRICATION, LLC IS PROHIBITED.

MATERIAL

	NAME	DATE
DRAWN	EJK	11/21/23
CHECKED		
ENG APPR.		
MFG APPR.		
Q.A.		
COMMENTS:		

C4 FABRICATION

TITLE:
**2016-2023 TACOMA
 ROCK RUNNER ROCK
 SLIDERS**

SIZE A	DWG. NO.	REV A
------------------	----------	-----------------

DO NOT SCALE DRAWING

SHEET 3 OF 4

2

1

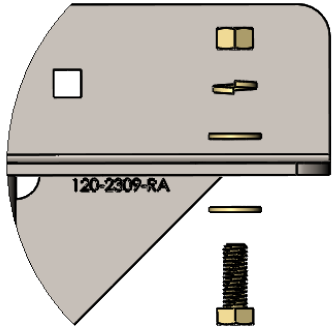
2

1

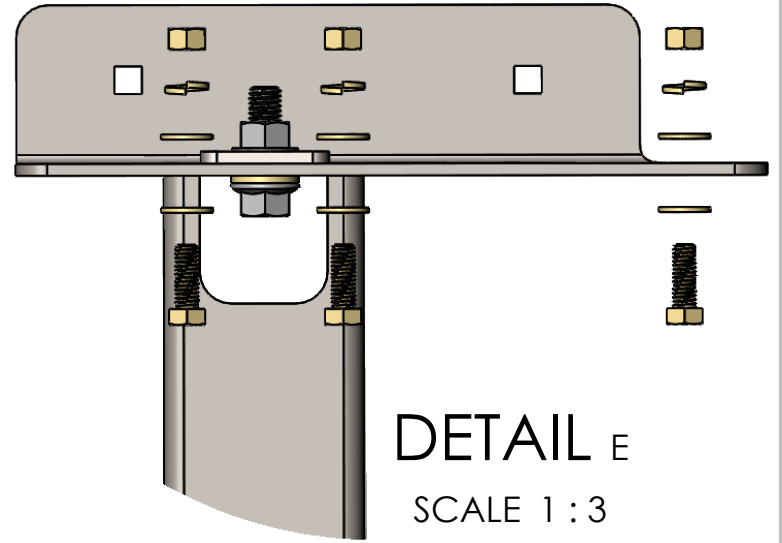
PASSENGER SIDE ROCK SLIDER

B

B

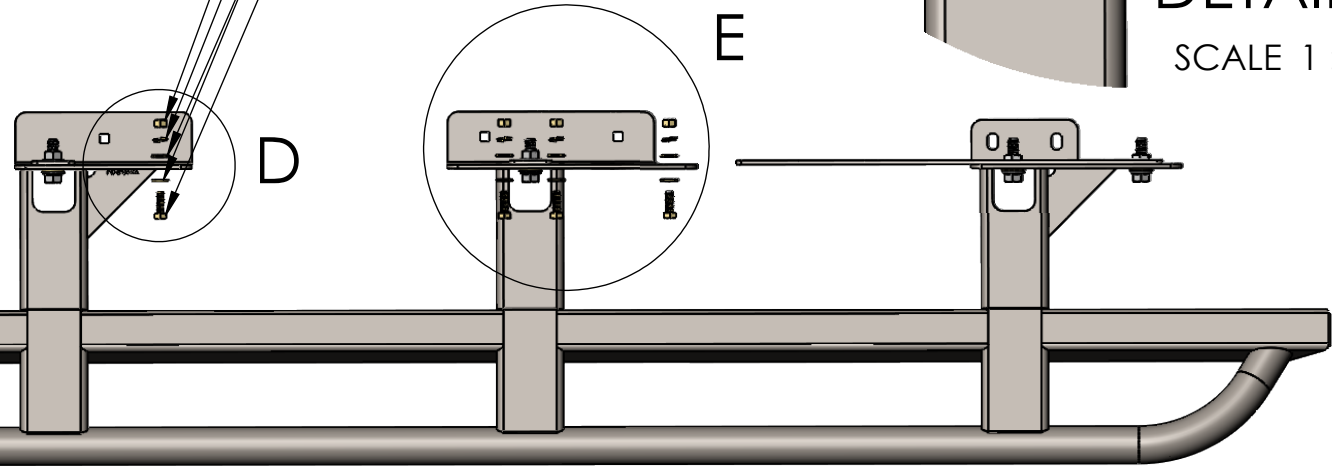


DETAIL D
SCALE 1 : 3



DETAIL E
SCALE 1 : 3

- 3/8" GR8 NUT (x4)
- 3/8" GR8 LOCK WASHER (x4)
- 3/8" GR8 FLAT WASHER (x8)
- 3/8" x 1" GR8 BOLT (x4)



A

A

NOTE: HARDWARE QUANTITIES ARE LISTED PER EACH SIDE.

FRAME MODELS VARY, USE ALL APPLICABLE HOLES



PROPRIETARY AND CONFIDENTIAL
THE INFORMATION CONTAINED IN THIS DRAWING IS THE SOLE PROPERTY OF C4 FABRICATION, LLC. ANY REPRODUCTION IN PART OR AS A WHOLE WITHOUT THE WRITTEN PERMISSION OF C4 FABRICATION, LLC IS PROHIBITED.

MATERIAL

	NAME	DATE
DRAWN	EJK	11/21/23
CHECKED		
ENG APPR.		
MFG APPR.		
Q.A.		
COMMENTS:		

C4 FABRICATION

TITLE:

2016-2023 TACOMA
ROCK RUNNER ROCK
SLIDERS

SIZE	DWG. NO.	REV
A		A

DO NOT SCALE DRAWING

SHEET 4 OF 4

2

1