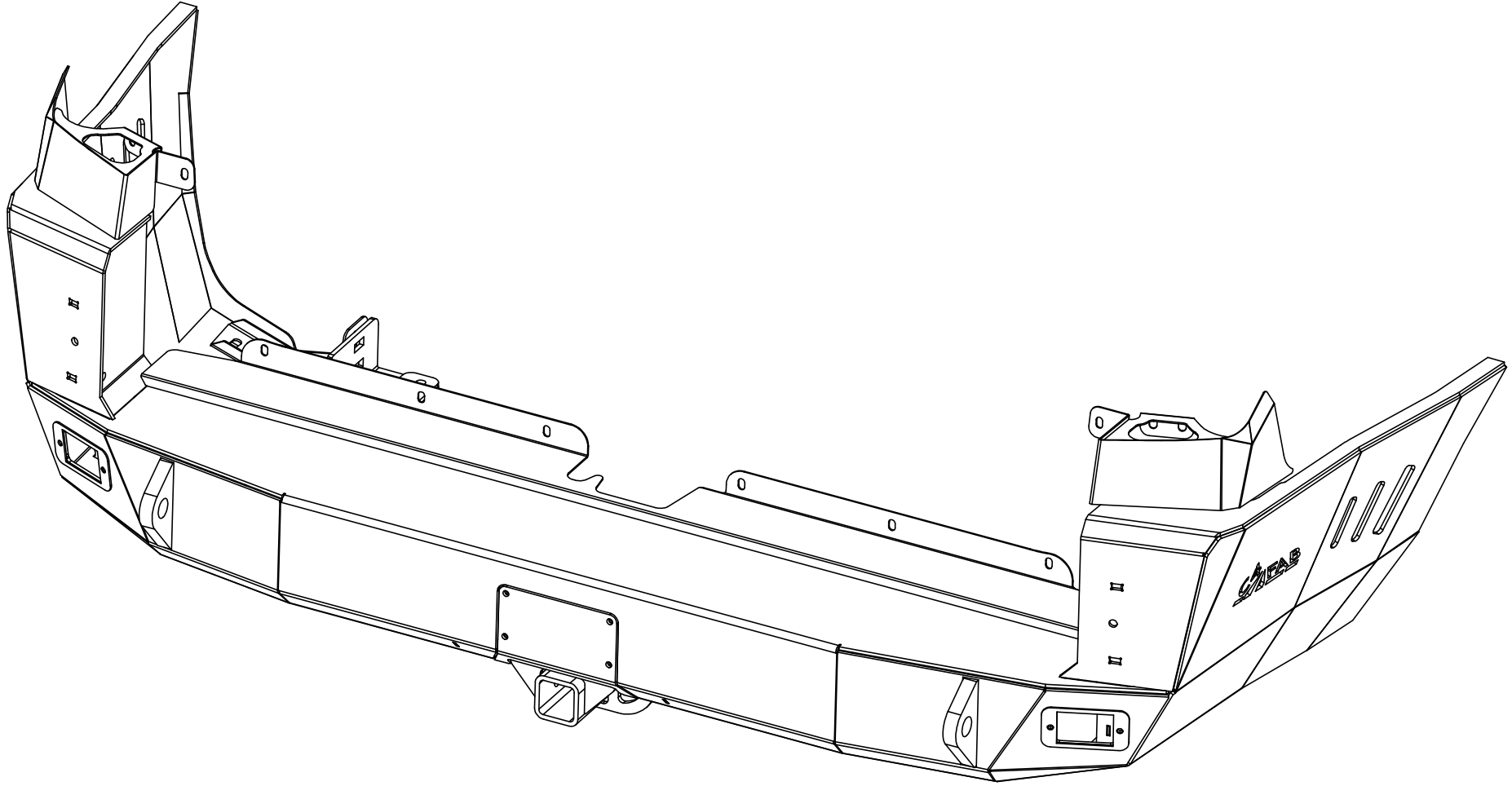


2

1

B

B



A

A



**PROPRIETARY AND CONFIDENTIAL**  
 THE INFORMATION CONTAINED IN THIS DRAWING IS THE SOLE PROPERTY OF C4 FABRICATION, LLC. ANY REPRODUCTION IN PART OR AS A WHOLE WITHOUT THE WRITTEN PERMISSION OF C4 FABRICATION, LLC IS PROHIBITED.

MATERIAL

	NAME	DATE
DRAWN	BEB	10/2/18
CHECKED		
ENG APPR.		
MFG APPR.		
Q.A.		
COMMENTS:		

# C4 FABRICATION

TITLE:  
**5TH GEN 4RUNNER  
 INSTALLATION**

SIZE <b>A</b>	DWG. NO.	REV <b>A</b>
DO NOT SCALE DRAWING	WEIGHT:	SHEET 1 OF 27

2

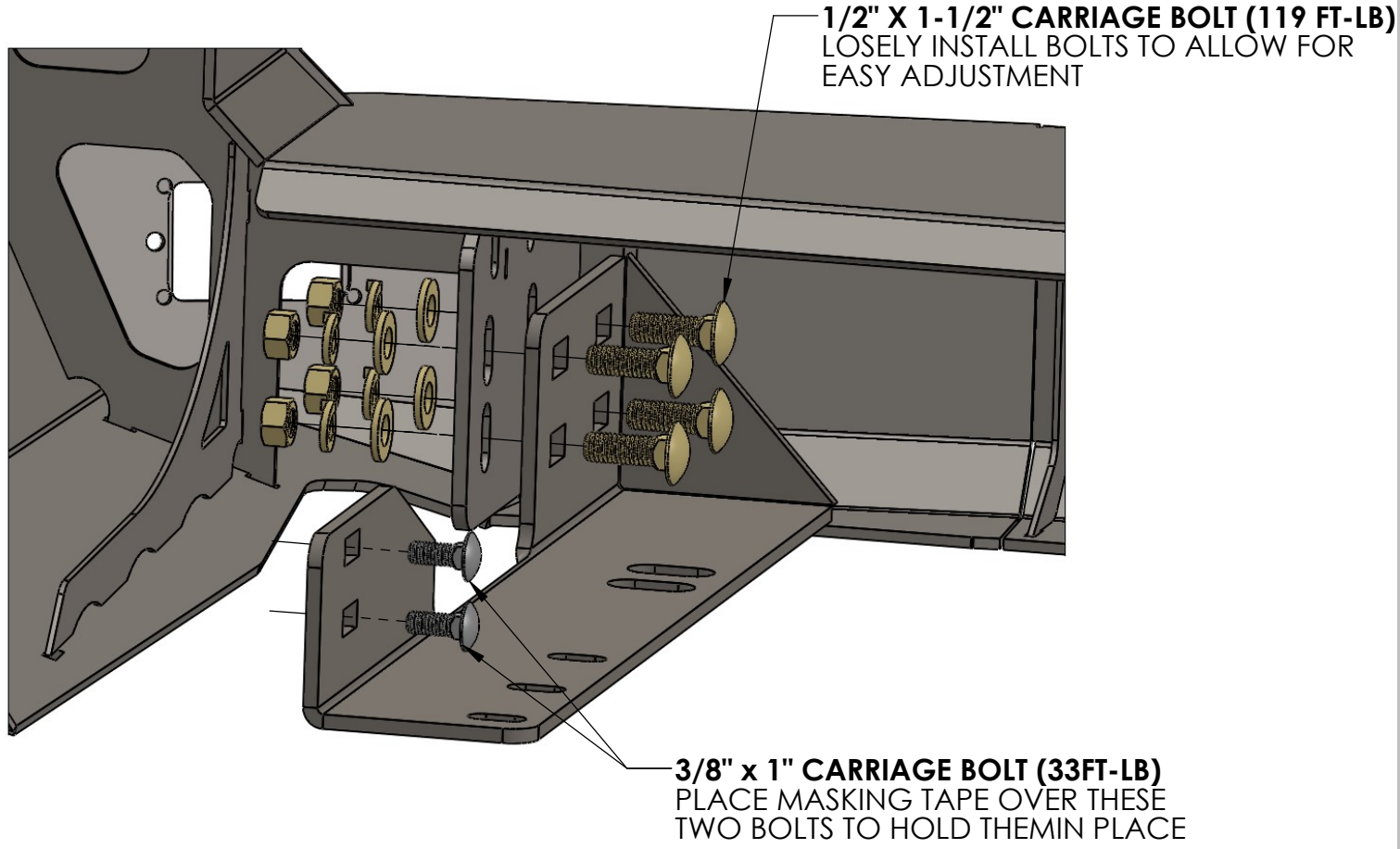
1

2

1


B

B



A

A

 <p><b>PROPRIETARY AND CONFIDENTIAL</b> THE INFORMATION CONTAINED IN THIS DRAWING IS THE SOLE PROPERTY OF C4 FABRICATION, LLC. ANY REPRODUCTION IN PART OR AS A WHOLE WITHOUT THE WRITTEN PERMISSION OF C4 FABRICATION, LLC IS PROHIBITED.</p>	NAME	DATE	<b>C4 FABRICATION</b> TITLE: <b>FRAME PLATES</b>	
	DRAWN	BEB		10/2/18
	CHECKED			
	ENG APPR.			
	MFG APPR.			
Q.A.			SIZE <b>A</b> DWG. NO.    REV <b>A</b>	
COMMENTS:			DO NOT SCALE DRAWING    WEIGHT:    SHEET 2 OF 27	
MATERIAL				

2

1

2

1

B

B



LOOSELY  
INSTALL UPPER  
FRAME PLATES

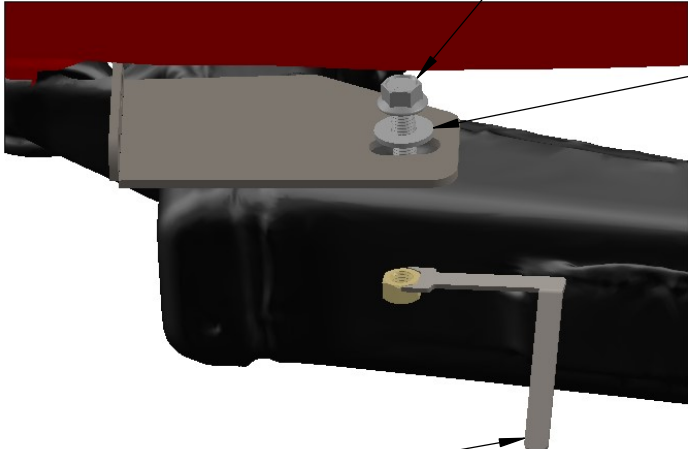
LOOSELY  
INSTALL UPPER  
FRAME PLATES

1/2" X 1" FLANGE BOLT (78FT-LB)


1/2" FLAT WASHER

A

A

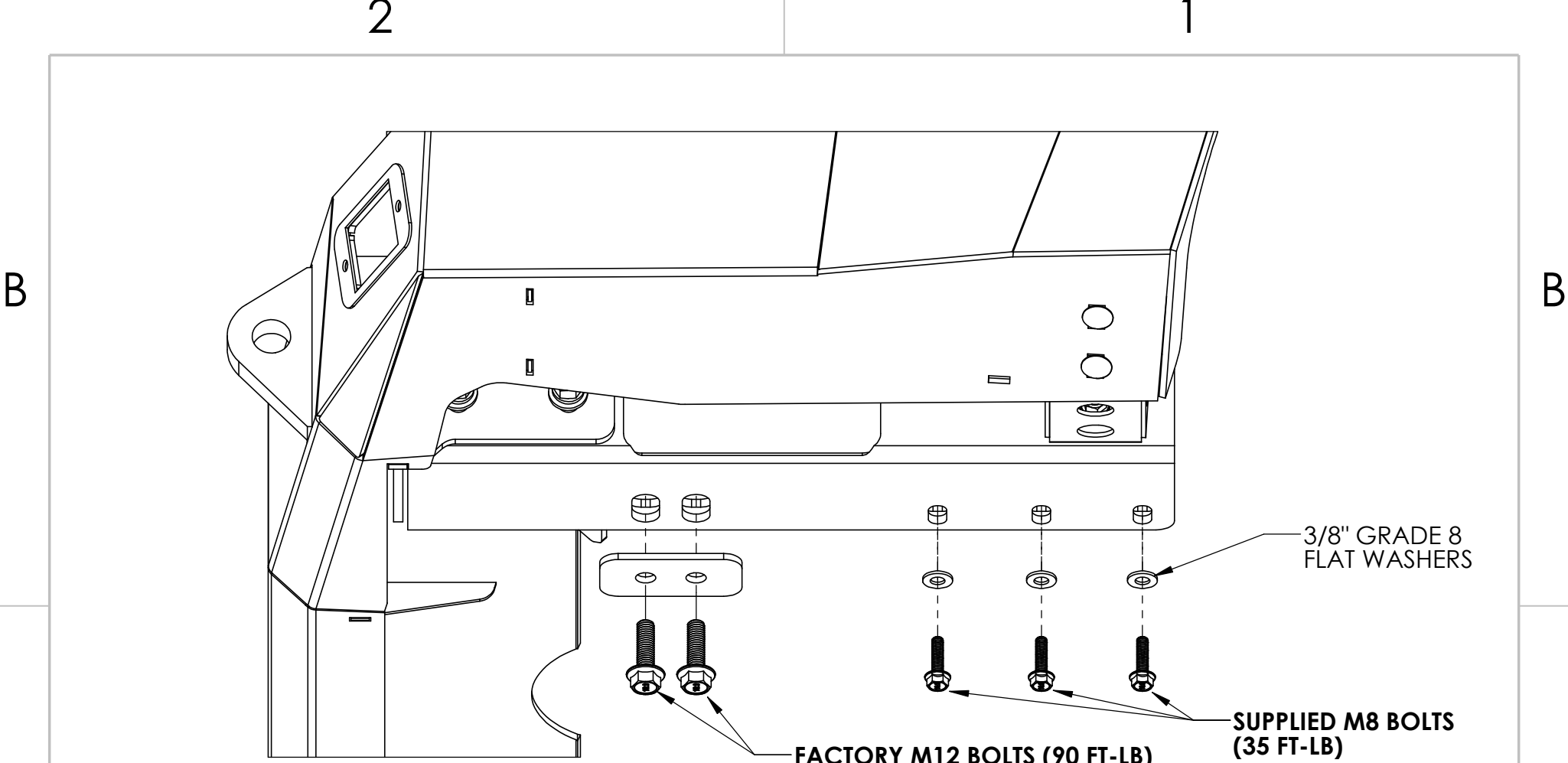


NUT STICK

 <p><b>PROPRIETARY AND CONFIDENTIAL</b> THE INFORMATION CONTAINED IN THIS DRAWING IS THE SOLE PROPERTY OF C4 FABRICATION, LLC. ANY REPRODUCTION IN PART OR AS A WHOLE WITHOUT THE WRITTEN PERMISSION OF C4 FABRICATION, LLC IS PROHIBITED.</p>	DRAWN	NAME	DATE	<p><b>C4 FABRICATION</b></p> <p>TITLE: <b>UPPER FRAME PLATES</b></p>	
	CHECKED	BEB	10/2/18		
	ENG APPR.				
	MFG APPR.				
	Q.A.				
MATERIAL	COMMENTS:		<p>SIZE <b>A</b></p> <p>DO NOT SCALE DRAWING</p>	<p>DWG. NO.</p> <p>WEIGHT:</p>	<p>REV <b>A</b></p> <p>SHEET 3 OF 27</p>


2

1



LOOSELY INSTALL BOLTS TO ALLOW FOR EASY ADJUSTMENT

A A

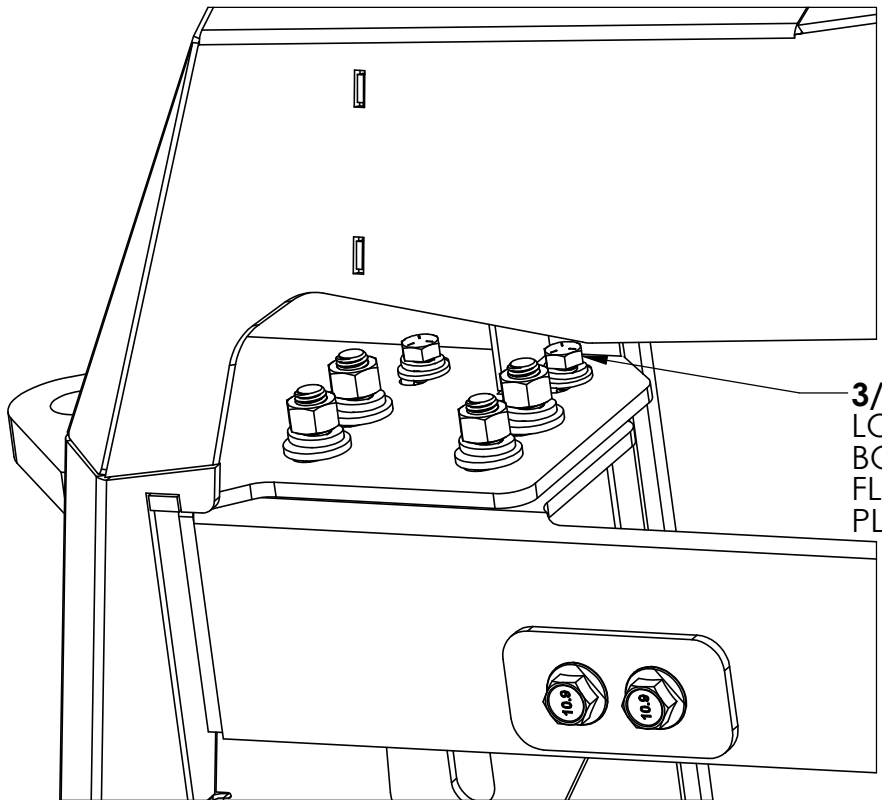
 <p><b>PROPRIETARY AND CONFIDENTIAL</b> THE INFORMATION CONTAINED IN THIS DRAWING IS THE SOLE PROPERTY OF C4 FABRICATION, LLC. ANY REPRODUCTION IN PART OR AS A WHOLE WITHOUT THE WRITTEN PERMISSION OF C4 FABRICATION, LLC IS PROHIBITED.</p>	NAME	DATE	<b>C4 FABRICATION</b> TITLE: <b>LOWER FRAME          PLATE BOLTS</b>		
	DRAWN	BEB		10/2/18	
	CHECKED				
	ENG APPR.				
	MFG APPR.				
Q.A.			SIZE	DWG. NO.	REV
COMMENTS:			<b>A</b>		<b>A</b>
MATERIAL	DO NOT SCALE DRAWING		WEIGHT:	SHEET 4 OF 27	

2

1

B

B



**3/8" X 1" GRADE 8 BOLTS (47 FT-LB)**  
 LOOSELY INSTALL 3/8" GRADE 8  
 BOLTS WITH LOCK WASHERS AND  
 FLAT WASHERS INTO UPPER FRAME  
 PLATE

A

A



**PROPRIETARY AND CONFIDENTIAL**  
 THE INFORMATION CONTAINED IN THIS  
 DRAWING IS THE SOLE PROPERTY OF  
 C4 FABRICATION, LLC. ANY  
 REPRODUCTION IN PART OR AS A  
 WHOLE WITHOUT THE WRITTEN  
 PERMISSION OF C4 FABRICATION,  
 LLC IS PROHIBITED.

MATERIAL

	NAME	DATE
DRAWN	BEB	10/2/18
CHECKED		
ENG APPR.		
MFG APPR.		
Q.A.		
COMMENTS:		

**C4 FABRICATION**

TITLE:

SIZE <b>A</b>	DWG. NO.	REV <b>A</b>
DO NOT SCALE DRAWING	WEIGHT:	SHEET 5 OF 27

2

1

2

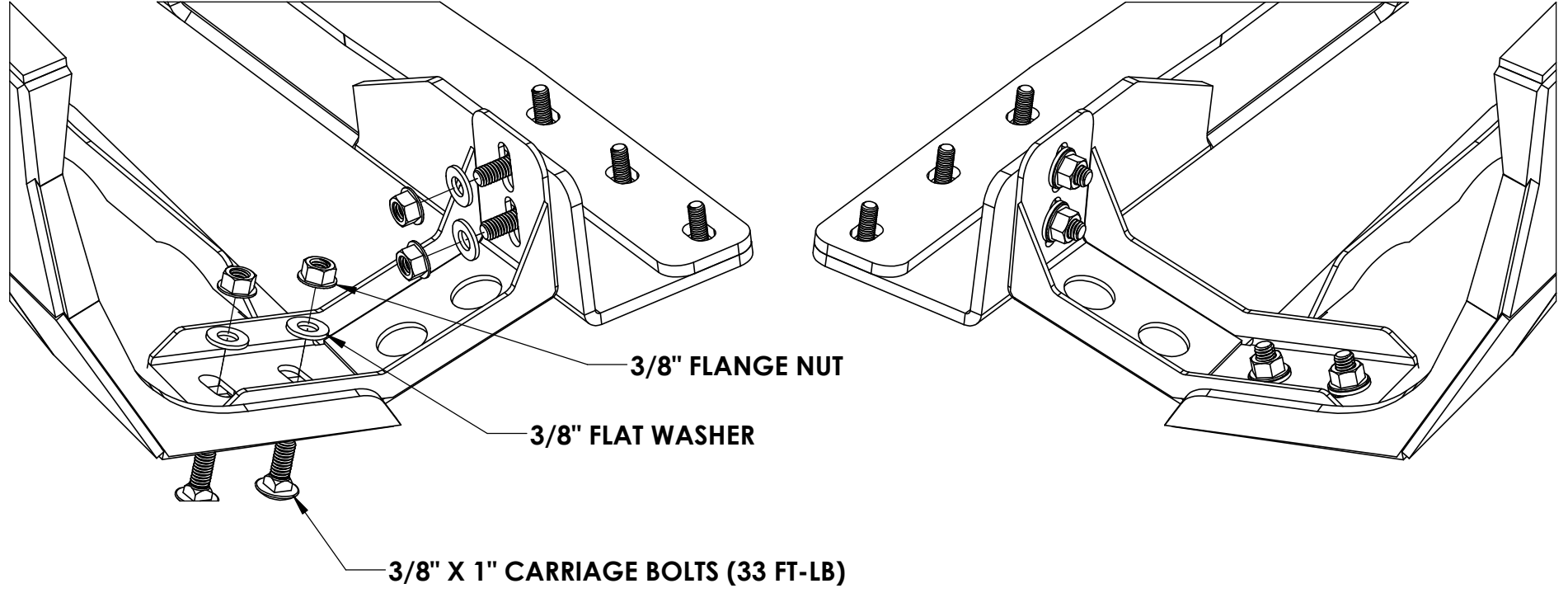
1

PASSENGER SIDE

DRIVER SIDE

B

B



3/8" FLANGE NUT

3/8" FLAT WASHER

3/8" X 1" CARRIAGE BOLTS (33 FT-LB)

A

A



**PROPRIETARY AND CONFIDENTIAL**  
 THE INFORMATION CONTAINED IN THIS DRAWING IS THE SOLE PROPERTY OF C4 FABRICATION, LLC. ANY REPRODUCTION IN PART OR AS A WHOLE WITHOUT THE WRITTEN PERMISSION OF C4 FABRICATION, LLC IS PROHIBITED.

MATERIAL

	NAME	DATE
DRAWN	BEB	10/2/18
CHECKED		
ENG APPR.		
MFG APPR.		
Q.A.		
COMMENTS:		

C4 FABRICATION

TITLE:

SIDE SUPPORT BRACKETS

SIZE	DWG. NO.	REV
<b>A</b>		<b>A</b>
DO NOT SCALE DRAWING	WEIGHT:	SHEET 6 OF 27

2

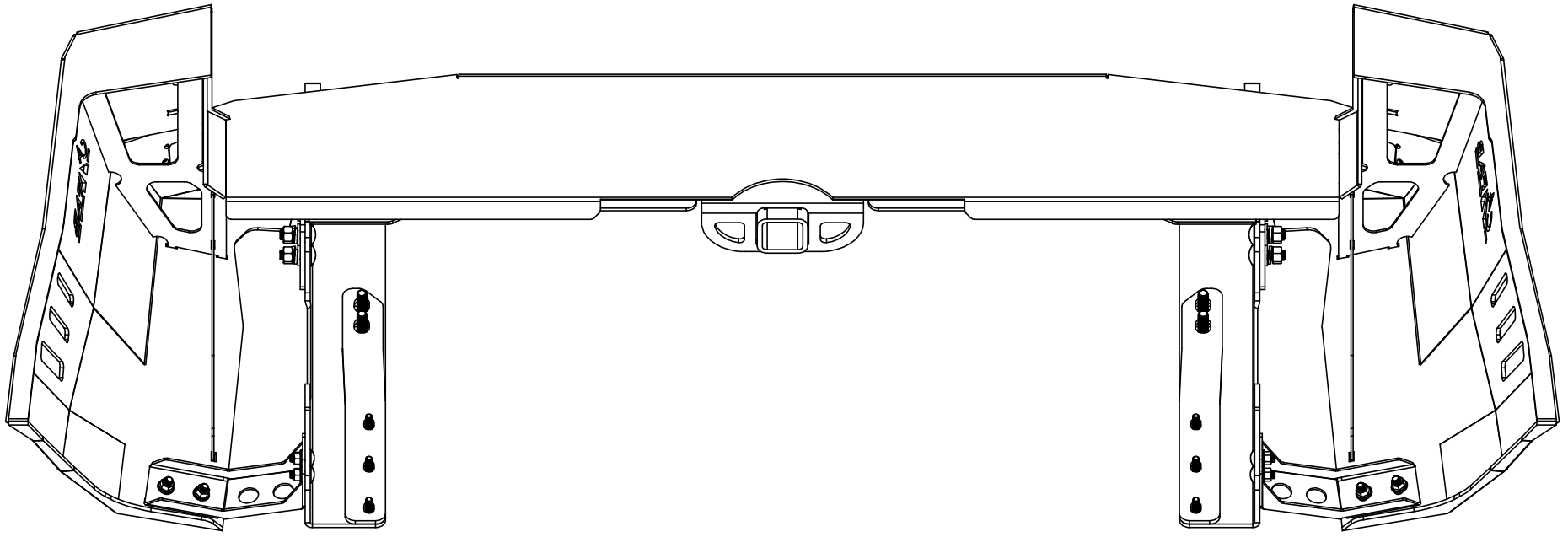
1

2

1

B

B



A

A



**PROPRIETARY AND CONFIDENTIAL**  
 THE INFORMATION CONTAINED IN THIS DRAWING IS THE SOLE PROPERTY OF C4 FABRICATION, LLC. ANY REPRODUCTION IN PART OR AS A WHOLE WITHOUT THE WRITTEN PERMISSION OF C4 FABRICATION, LLC IS PROHIBITED.

MATERIAL

	NAME	DATE
DRAWN	BEB	10/2/18
CHECKED		
ENG APPR.		
MFG APPR.		
Q.A.		

COMMENTS:

# C4 FABRICATION

TITLE:

SIZE <b>A</b>	DWG. NO.	REV <b>A</b>
DO NOT SCALE DRAWING	WEIGHT:	SHEET 7 OF 27

2

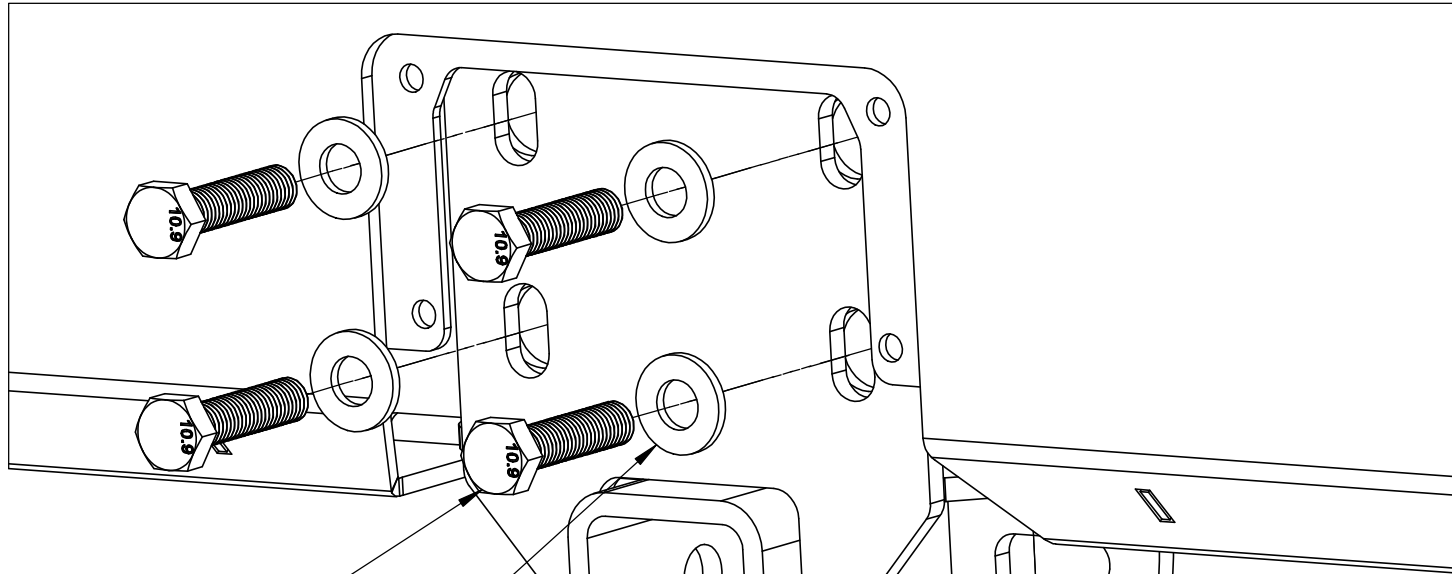
1

2

1

B

B



SUPPLIED M12 BOLTS (90 FT-LB)

1/2" GRADE 8 WASHERS

FACTORY M12 BOLTS (90 FT-LB)

A

A

**NOTE: SNUG BOLTS BEFORE TORQUING**



**PROPRIETARY AND CONFIDENTIAL**  
 THE INFORMATION CONTAINED IN THIS DRAWING IS THE SOLE PROPERTY OF C4 FABRICATION, LLC. ANY REPRODUCTION IN PART OR AS A WHOLE WITHOUT THE WRITTEN PERMISSION OF C4 FABRICATION, LLC IS PROHIBITED.

MATERIAL

	NAME	DATE
DRAWN	BEB	10/2/18
CHECKED		
ENG APPR.		
MFG APPR.		
Q.A.		
COMMENTS:		

**C4 FABRICATION**

TITLE:

SIZE <b>A</b>	DWG. NO.	REV <b>A</b>
DO NOT SCALE DRAWING	WEIGHT:	SHEET 8 OF 27

2

1

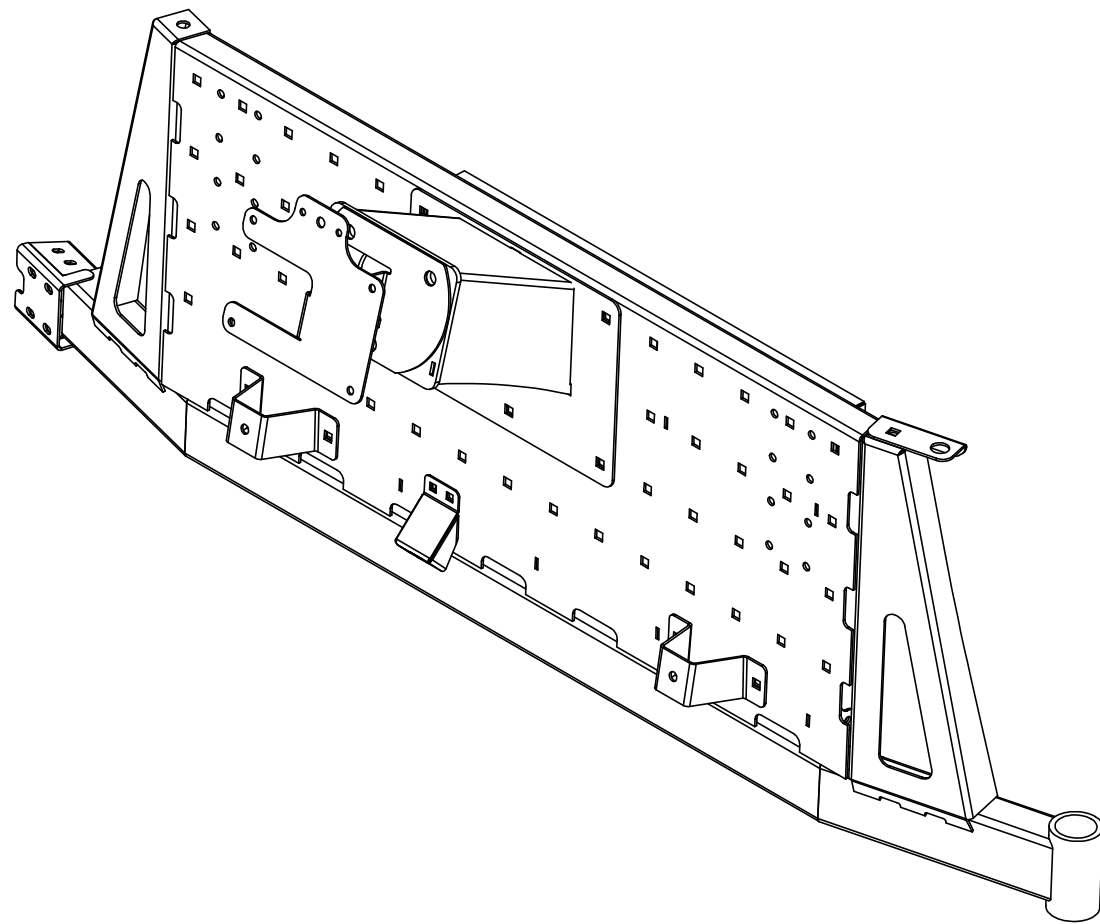


2

1

B

B



A

A



**PROPRIETARY AND CONFIDENTIAL**  
 THE INFORMATION CONTAINED IN THIS DRAWING IS THE SOLE PROPERTY OF C4 FABRICATION, LLC. ANY REPRODUCTION IN PART OR AS A WHOLE WITHOUT THE WRITTEN PERMISSION OF C4 FABRICATION, LLC IS PROHIBITED.

MATERIAL

	NAME	DATE
DRAWN	BEB	10/2/18
CHECKED		
ENG APPR.		
MFG APPR.		
Q.A.		
COMMENTS:		

**C4 FABRICATION**  
 TITLE:  
**SINGLE SWING ARM**

SIZE <b>A</b>	DWG. NO.	REV <b>A</b>
DO NOT SCALE DRAWING	WEIGHT:	SHEET 9 OF 27

2

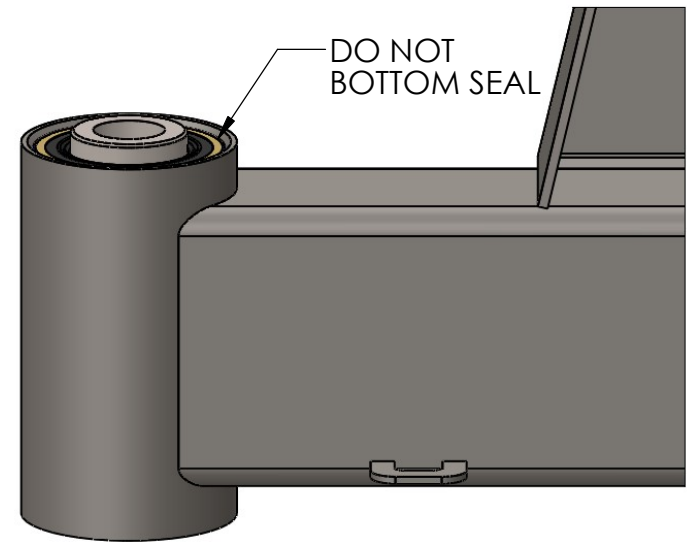
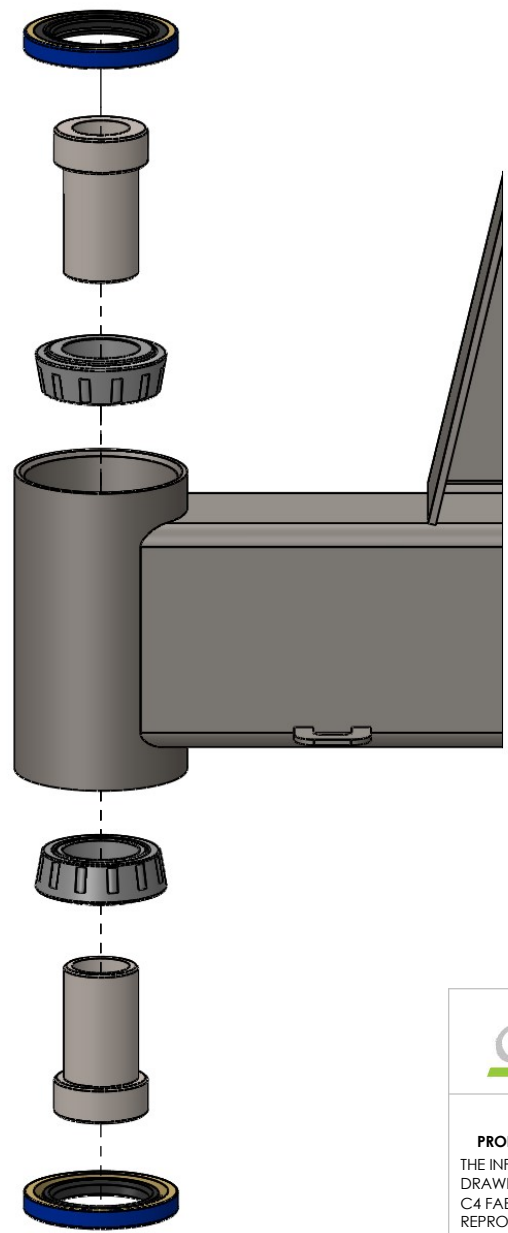
1

2

1


B

B



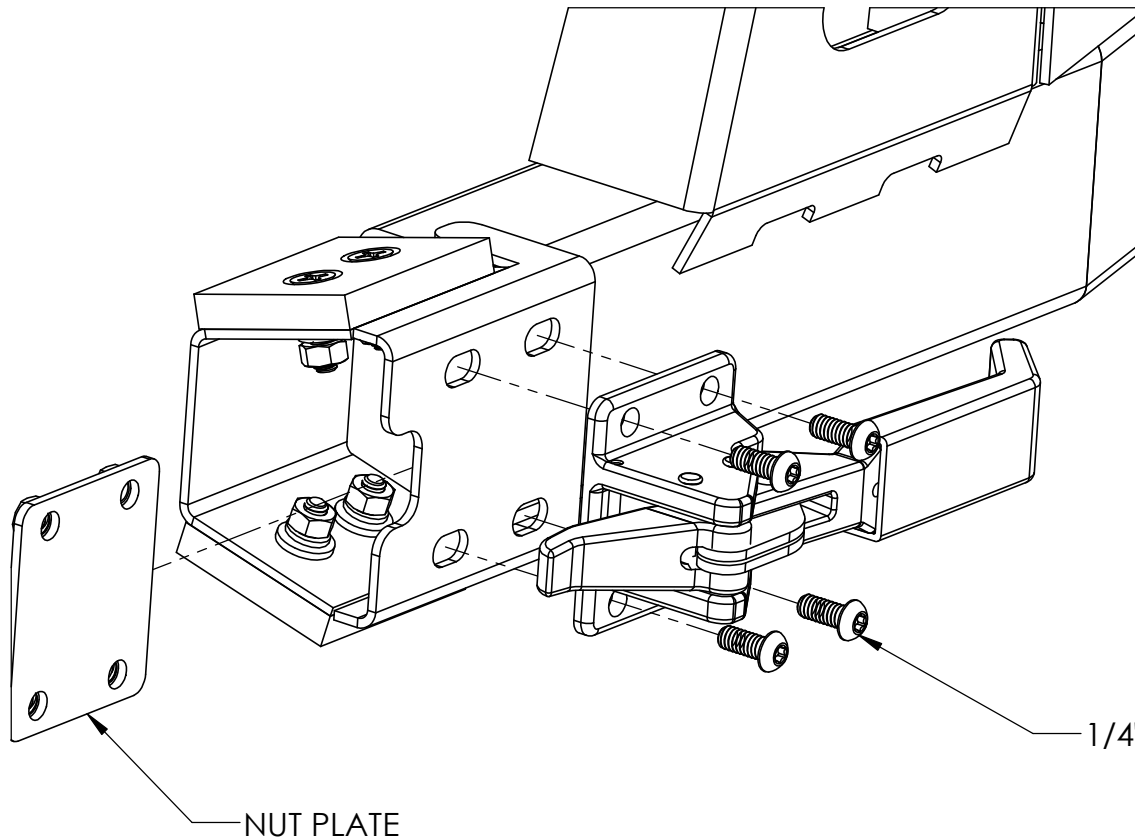
A

A

 <p><b>PROPRIETARY AND CONFIDENTIAL</b> THE INFORMATION CONTAINED IN THIS DRAWING IS THE SOLE PROPERTY OF C4 FABRICATION, LLC. ANY REPRODUCTION IN PART OR AS A WHOLE WITHOUT THE WRITTEN PERMISSION OF C4 FABRICATION, LLC IS PROHIBITED.</p>		NAME	DATE	<p><b>C4 FABRICATION</b></p> <p>TITLE: <b>PIVOT ASSEMBLY</b></p>
	DRAWN	BEB	10/2/18	
	CHECKED			
	ENG APPR.			
	MFG APPR.			
	Q.A.			<p>SIZE <b>A</b></p>
	COMMENTS:			<p>DWG. NO.</p>
MATERIAL				<p>REV <b>A</b></p>
				<p>DO NOT SCALE DRAWING</p>
				<p>WEIGHT:</p>
				<p>SHEET 10 OF 27</p>

2

1



1/4" X 5/8" BUTTON HEAD BOLTS

NUT PLATE



**PROPRIETARY AND CONFIDENTIAL**  
 THE INFORMATION CONTAINED IN THIS DRAWING IS THE SOLE PROPERTY OF C4 FABRICATION, LLC. ANY REPRODUCTION IN PART OR AS A WHOLE WITHOUT THE WRITTEN PERMISSION OF C4 FABRICATION, LLC IS PROHIBITED.

MATERIAL

	NAME	DATE
DRAWN	BEB	10/2/18
CHECKED		
ENG APPR.		
MFG APPR.		
Q.A.		
COMMENTS:		

**C4 FABRICATION**  
 TITLE:  
**COMPRESSION LATCH**

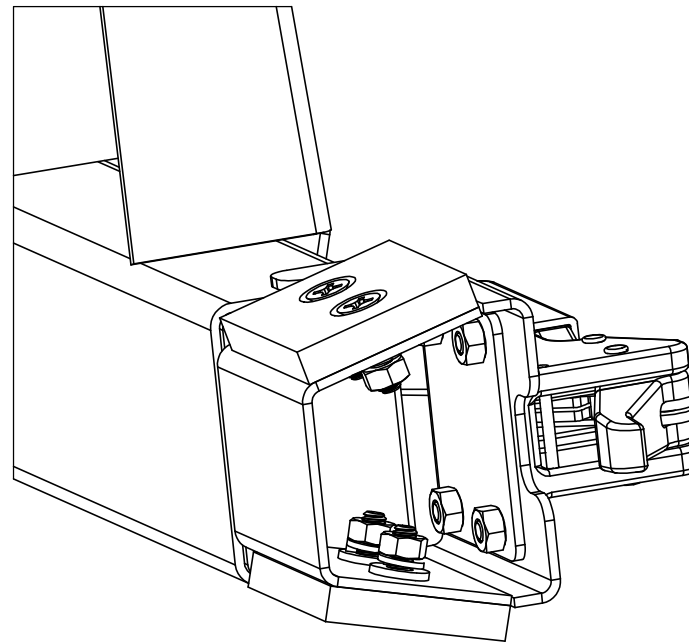
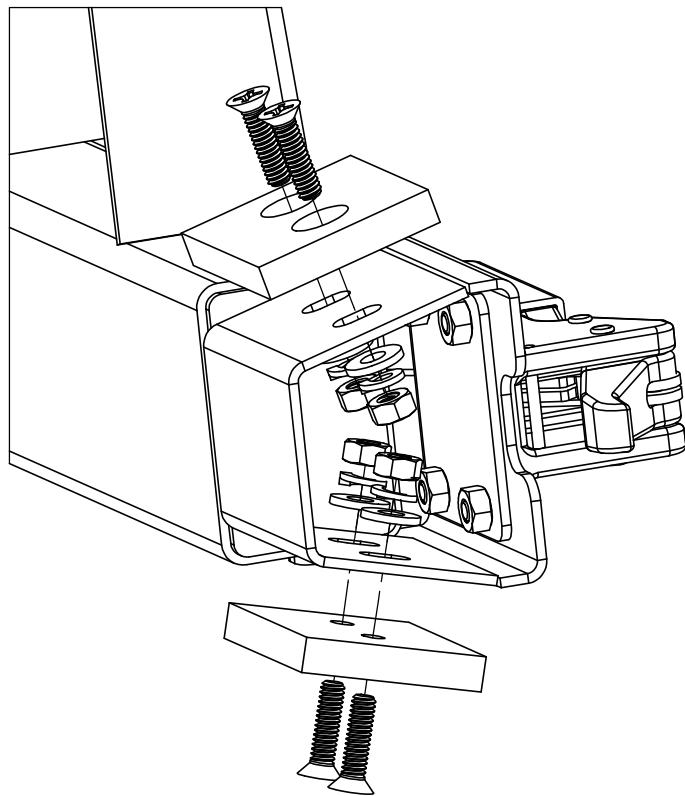
SIZE <b>A</b>	DWG. NO.	REV <b>A</b>
DO NOT SCALE DRAWING	WEIGHT:	SHEET 11 OF 27

2

1

B

B



A

A



**PROPRIETARY AND CONFIDENTIAL**  
 THE INFORMATION CONTAINED IN THIS DRAWING IS THE SOLE PROPERTY OF C4 FABRICATION, LLC. ANY REPRODUCTION IN PART OR AS A WHOLE WITHOUT THE WRITTEN PERMISSION OF C4 FABRICATION, LLC IS PROHIBITED.

MATERIAL

	NAME	DATE
DRAWN	BEB	10/2/18
CHECKED		
ENG APPR.		
MFG APPR.		
Q.A.		
COMMENTS:		

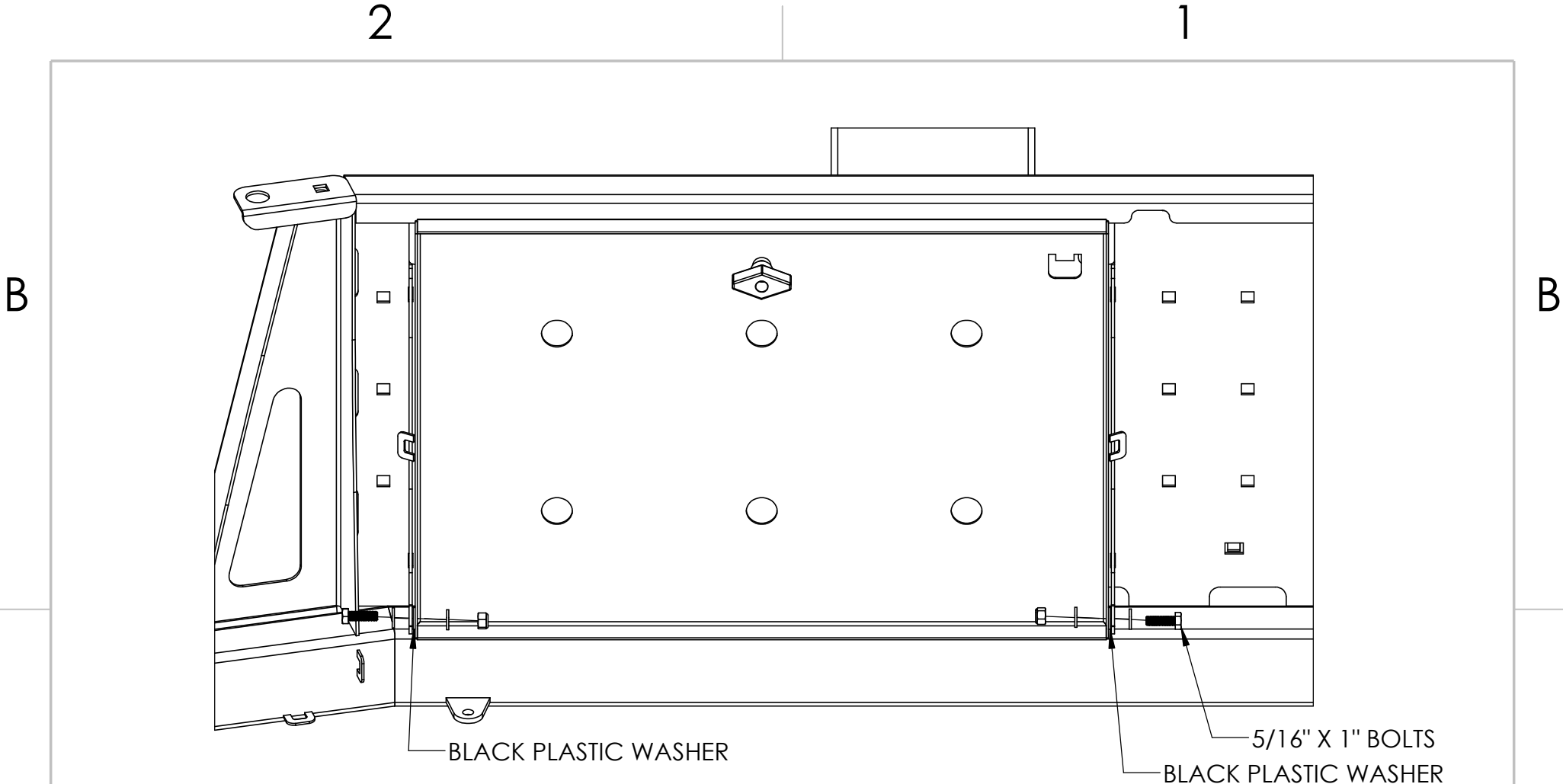
**C4 FABRICATION**  
 TITLE:  
**LATCH SLIDES**

SIZE <b>A</b>	DWG. NO.	REV <b>A</b>
------------------	----------	-----------------

DO NOT SCALE DRAWING      WEIGHT:      SHEET 12 OF 27

2

1




B

B

A

A

 <p><b>PROPRIETARY AND CONFIDENTIAL</b> THE INFORMATION CONTAINED IN THIS DRAWING IS THE SOLE PROPERTY OF C4 FABRICATION, LLC. ANY REPRODUCTION IN PART OR AS A WHOLE WITHOUT THE WRITTEN PERMISSION OF C4 FABRICATION, LLC IS PROHIBITED.</p>	NAME	DATE	<p><b>C4 FABRICATION</b></p> <p>TITLE: <b>CAMP TABLE HINGE BOLTS</b></p>	
	DRAWN	BEB		10/2/18
	CHECKED			
	ENG APPR.			
	MFG APPR.			
Q.A.				
COMMENTS:				
MATERIAL	SIZE	DWG. NO.	REV	
	<b>A</b>		<b>A</b>	
	DO NOT SCALE DRAWING	WEIGHT:	SHEET 13 OF 27	

2

1

2

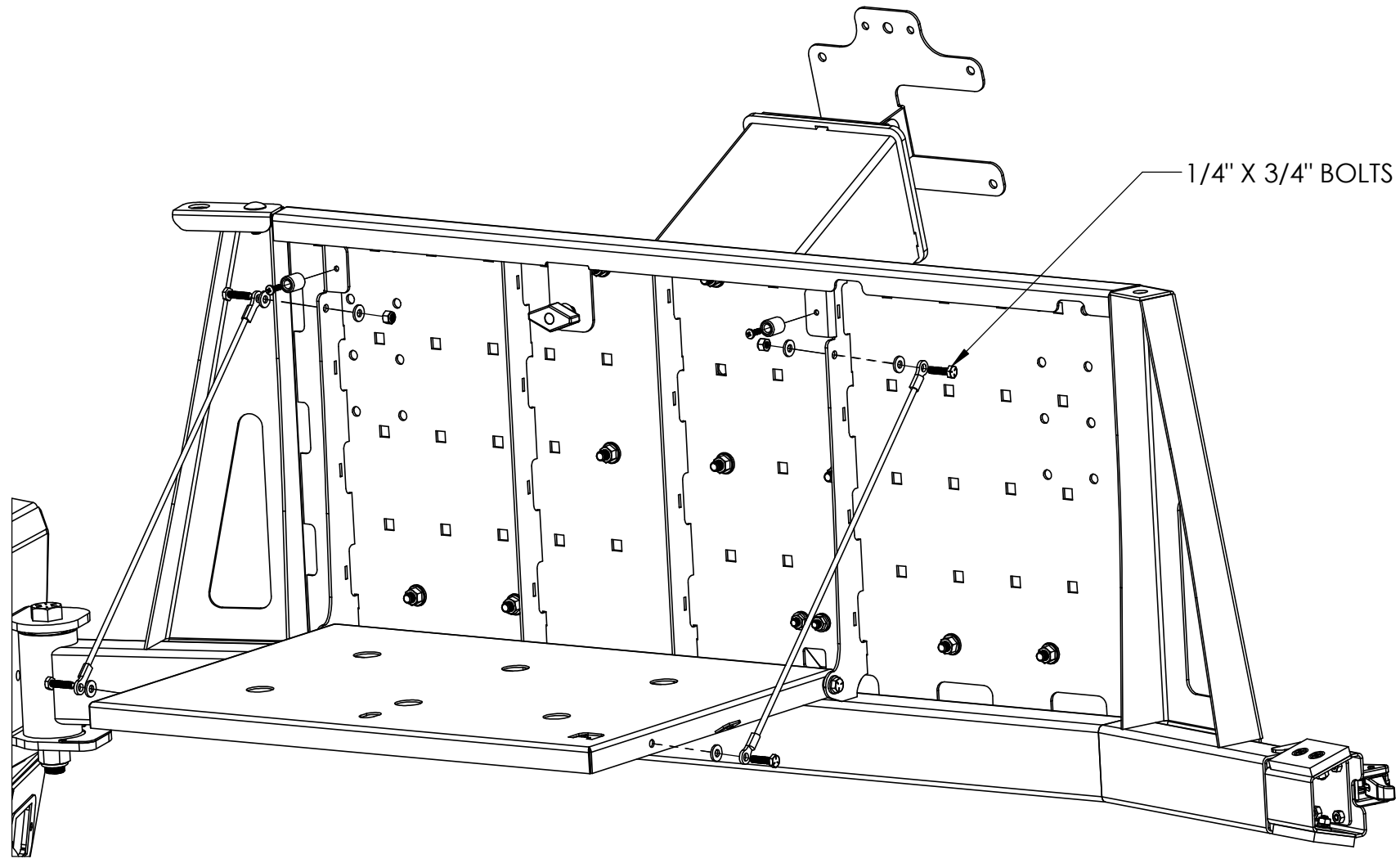
1

2

1

B

B



1/4" X 3/4" BOLTS

A

A



**PROPRIETARY AND CONFIDENTIAL**  
 THE INFORMATION CONTAINED IN THIS DRAWING IS THE SOLE PROPERTY OF C4 FABRICATION, LLC. ANY REPRODUCTION IN PART OR AS A WHOLE WITHOUT THE WRITTEN PERMISSION OF C4 FABRICATION, LLC IS PROHIBITED.

MATERIAL

	NAME	DATE
DRAWN	BEB	10/2/18
CHECKED		
ENG APPR.		
MFG APPR.		
Q.A.		
COMMENTS:		

C4 FABRICATION

TITLE:

CAMP TABLE CABLES

SIZE	DWG. NO.	REV
<b>A</b>		<b>A</b>
DO NOT SCALE DRAWING	WEIGHT:	SHEET 14 OF 27

2

1

2

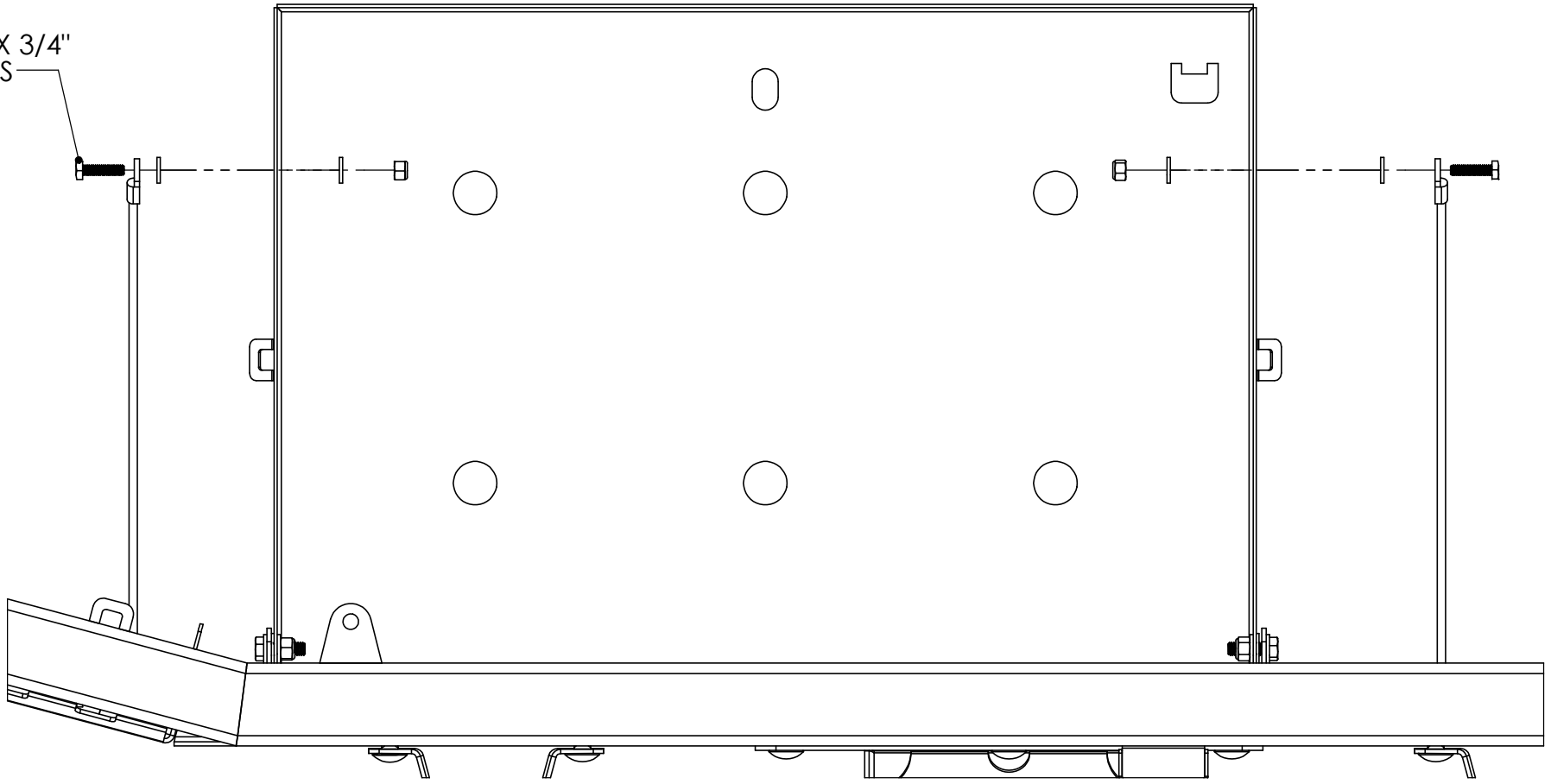
1

BOTTOM VIEW

1/4" X 3/4"  
BOLTS

B

B



A

A



**PROPRIETARY AND CONFIDENTIAL**  
 THE INFORMATION CONTAINED IN THIS DRAWING IS THE SOLE PROPERTY OF C4 FABRICATION, LLC. ANY REPRODUCTION IN PART OR AS A WHOLE WITHOUT THE WRITTEN PERMISSION OF C4 FABRICATION, LLC IS PROHIBITED.

MATERIAL

	NAME	DATE
DRAWN	BEB	10/2/18
CHECKED		
ENG APPR.		
MFG APPR.		
Q.A.		

COMMENTS:

C4 FABRICATION

TITLE:

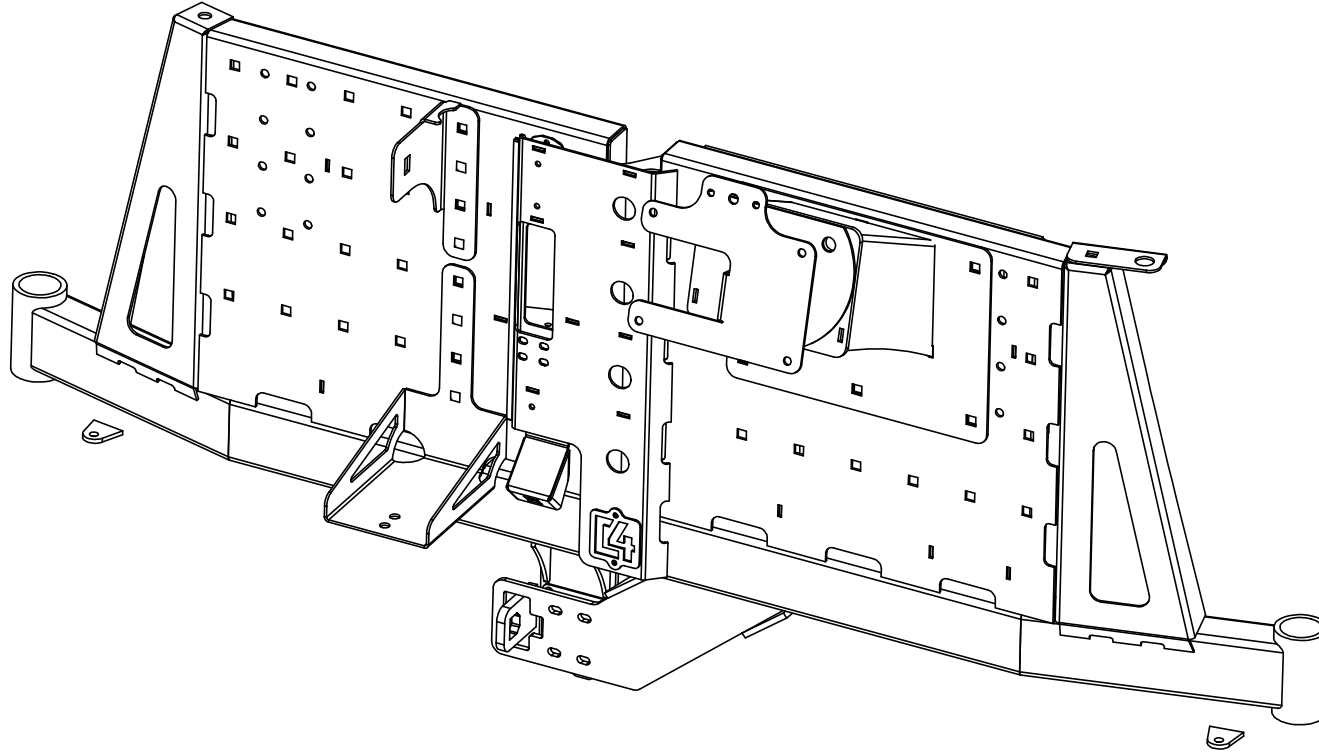
CAMP TABLE  
CABLES

SIZE <b>A</b>	DWG. NO.	REV <b>A</b>
------------------	----------	-----------------

DO NOT SCALE DRAWING      WEIGHT:      SHEET 15 OF 27

2

1



**PROPRIETARY AND CONFIDENTIAL**  
 THE INFORMATION CONTAINED IN THIS DRAWING IS THE SOLE PROPERTY OF C4 FABRICATION, LLC. ANY REPRODUCTION IN PART OR AS A WHOLE WITHOUT THE WRITTEN PERMISSION OF C4 FABRICATION, LLC IS PROHIBITED.

MATERIAL

	NAME	DATE
DRAWN	BEB	10/2/18
CHECKED		
ENG APPR.		
MFG APPR.		
Q.A.		
COMMENTS:		

**C4 FABRICATION**

TITLE:

**DUAL/HALF SWING  
 INSTALLATION**

SIZE	DWG. NO.	REV
<b>A</b>		<b>A</b>
DO NOT SCALE DRAWING	WEIGHT:	SHEET 16 OF 27

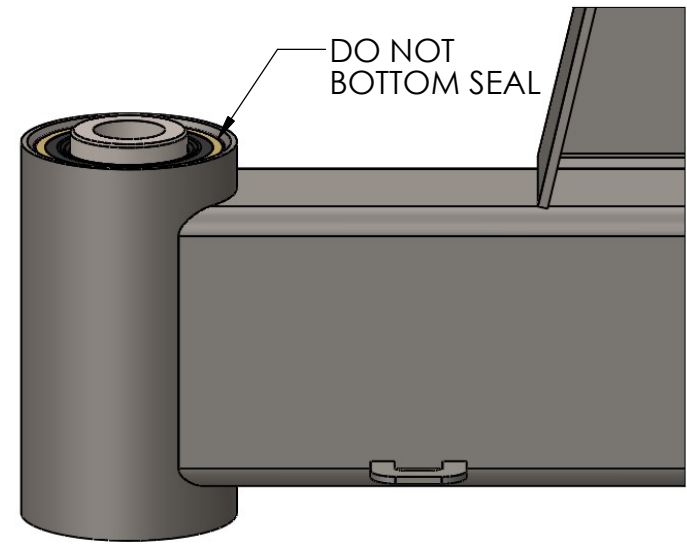
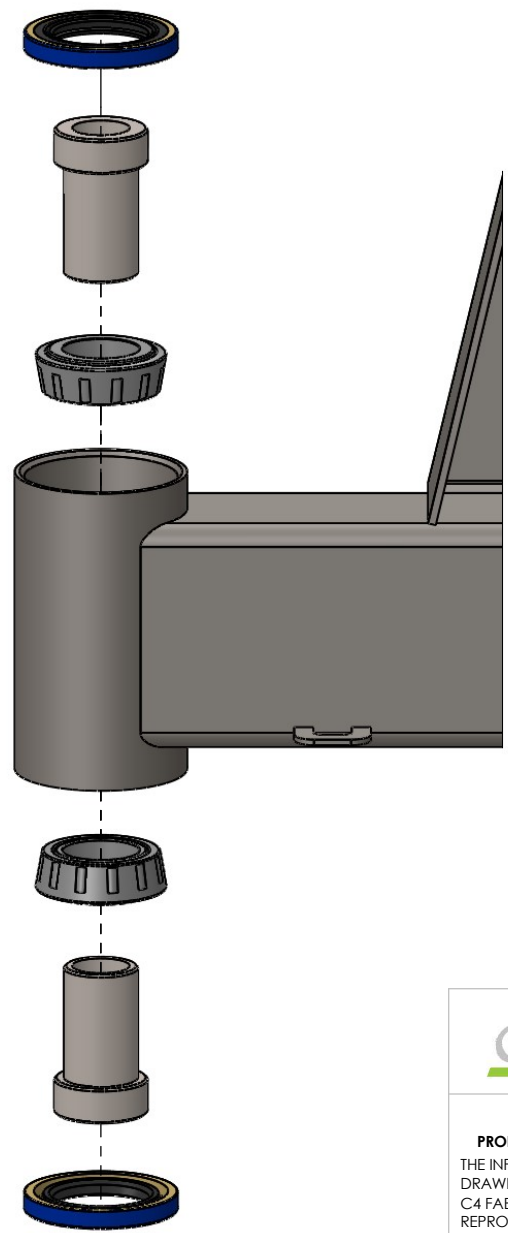


2

1

B

B



A

A



**PROPRIETARY AND CONFIDENTIAL**  
 THE INFORMATION CONTAINED IN THIS DRAWING IS THE SOLE PROPERTY OF C4 FABRICATION, LLC. ANY REPRODUCTION IN PART OR AS A WHOLE WITHOUT THE WRITTEN PERMISSION OF C4 FABRICATION, LLC IS PROHIBITED.

MATERIAL

	NAME	DATE
DRAWN	BEB	10/2/18
CHECKED		
ENG APPR.		
MFG APPR.		
Q.A.		

COMMENTS:

**C4 FABRICATION**  
 TITLE:  
**PIVOT ASSEMBLY**

SIZE <b>A</b>	DWG. NO.	REV <b>A</b>
DO NOT SCALE DRAWING	WEIGHT:	SHEET 17 OF 27

2

1

2

1

B

B

RED, THREADED BUMPERS

1/4" X 3/4" BUTTON HEAD BOLTS

A

A



PROPRIETARY AND CONFIDENTIAL  
THE INFORMATION CONTAINED IN THIS DRAWING IS THE SOLE PROPERTY OF C4 FABRICATION, LLC. ANY REPRODUCTION IN PART OR AS A WHOLE WITHOUT THE WRITTEN PERMISSION OF C4 FABRICATION, LLC IS PROHIBITED.

MATERIAL

	NAME	DATE
DRAWN	BEB	10/2/18
CHECKED		
ENG APPR.		
MFG APPR.		
Q.A.		
COMMENTS:		

TITLE:  
**C4 FABRICATION  
LOWER LATCH**

SIZE <b>A</b>	DWG. NO.	REV <b>A</b>
DO NOT SCALE DRAWING	WEIGHT:	SHEET 18 OF 27

2

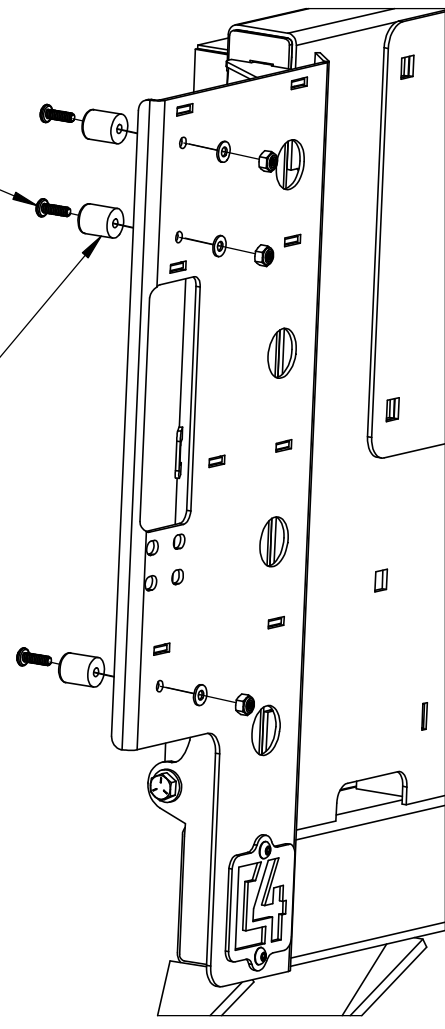
1

2

1

10-24 X 3/4" SCREWS

BLACK RUBBER BUMPERS



B

B

A

A



**PROPRIETARY AND CONFIDENTIAL**  
 THE INFORMATION CONTAINED IN THIS DRAWING IS THE SOLE PROPERTY OF C4 FABRICATION, LLC. ANY REPRODUCTION IN PART OR AS A WHOLE WITHOUT THE WRITTEN PERMISSION OF C4 FABRICATION, LLC IS PROHIBITED.

MATERIAL

	NAME	DATE
DRAWN	BEB	10/2/18
CHECKED		
ENG APPR.		
MFG APPR.		
Q.A.		
COMMENTS:		

C4 FABRICATION

TITLE:  
UPPER BUMPERS

SIZE <b>A</b>	DWG. NO.	REV <b>A</b>
------------------	----------	-----------------

DO NOT SCALE DRAWING	WEIGHT:	SHEET 19 OF 27
----------------------	---------	----------------

2

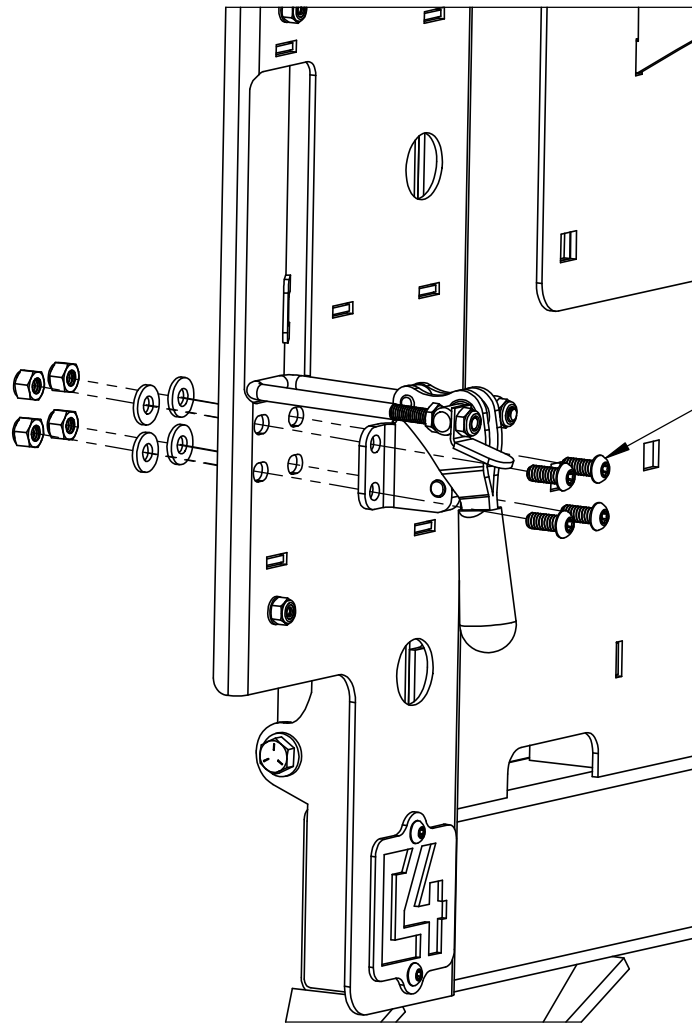
1

2

1

B

B



1/4" X 5/8" BUTTON HEAD BOLTS

A

A



**PROPRIETARY AND CONFIDENTIAL**  
 THE INFORMATION CONTAINED IN THIS DRAWING IS THE SOLE PROPERTY OF C4 FABRICATION, LLC. ANY REPRODUCTION IN PART OR AS A WHOLE WITHOUT THE WRITTEN PERMISSION OF C4 FABRICATION, LLC IS PROHIBITED.

MATERIAL

	NAME	DATE
DRAWN	BEB	10/2/18
CHECKED		
ENG APPR.		
MFG APPR.		
Q.A.		

COMMENTS:

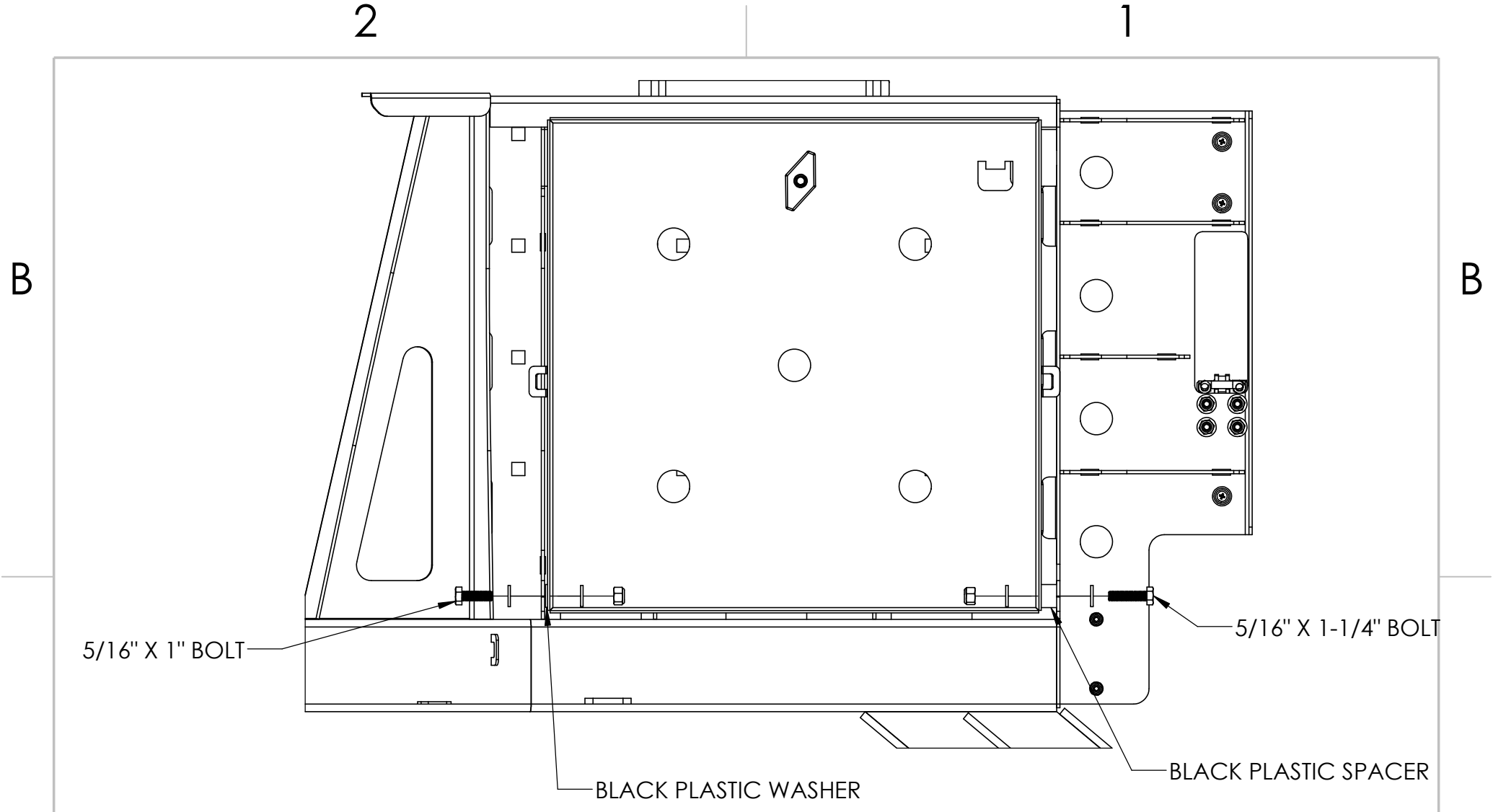
C4 FABRICATION

TITLE:  
**UPPER LATCH**

SIZE <b>A</b>	DWG. NO.	REV <b>A</b>
DO NOT SCALE DRAWING	WEIGHT:	SHEET 20 OF 27

2

1



**PROPRIETARY AND CONFIDENTIAL**  
 THE INFORMATION CONTAINED IN THIS DRAWING IS THE SOLE PROPERTY OF C4 FABRICATION, LLC. ANY REPRODUCTION IN PART OR AS A WHOLE WITHOUT THE WRITTEN PERMISSION OF C4 FABRICATION, LLC IS PROHIBITED.

MATERIAL

	NAME	DATE
DRAWN	BEB	10/2/18
CHECKED		
ENG APPR.		
MFG APPR.		
Q.A.		
COMMENTS:		

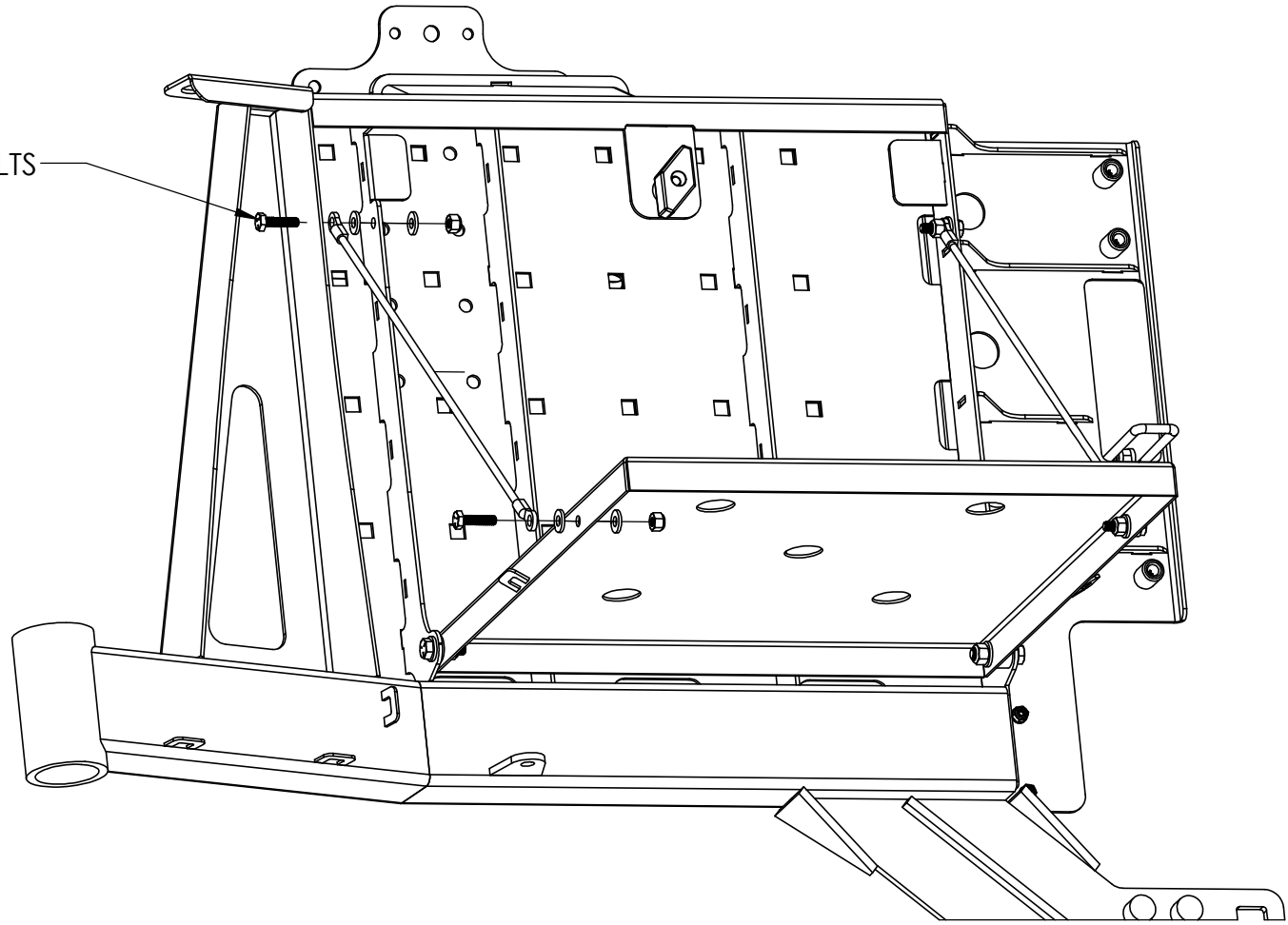
**C4 FABRICATION**

TITLE:  
**CAMP TABLE  
 HINGE BOLTS**

SIZE <b>A</b>	DWG. NO.	REV <b>A</b>
DO NOT SCALE DRAWING	WEIGHT:	SHEET 21 OF 27

2

1



1/4" X 3/4" BOLTS

B

B

A

A



**PROPRIETARY AND CONFIDENTIAL**  
 THE INFORMATION CONTAINED IN THIS DRAWING IS THE SOLE PROPERTY OF C4 FABRICATION, LLC. ANY REPRODUCTION IN PART OR AS A WHOLE WITHOUT THE WRITTEN PERMISSION OF C4 FABRICATION, LLC IS PROHIBITED.

MATERIAL

	NAME	DATE
DRAWN	BEB	10/2/18
CHECKED		
ENG APPR.		
MFG APPR.		
Q.A.		
COMMENTS:		

C4 FABRICATION

TITLE:

CAMP TABLE CABLES

SIZE <b>A</b>	DWG. NO.	REV <b>A</b>
DO NOT SCALE DRAWING	WEIGHT:	SHEET 22 OF 27

2

1

2

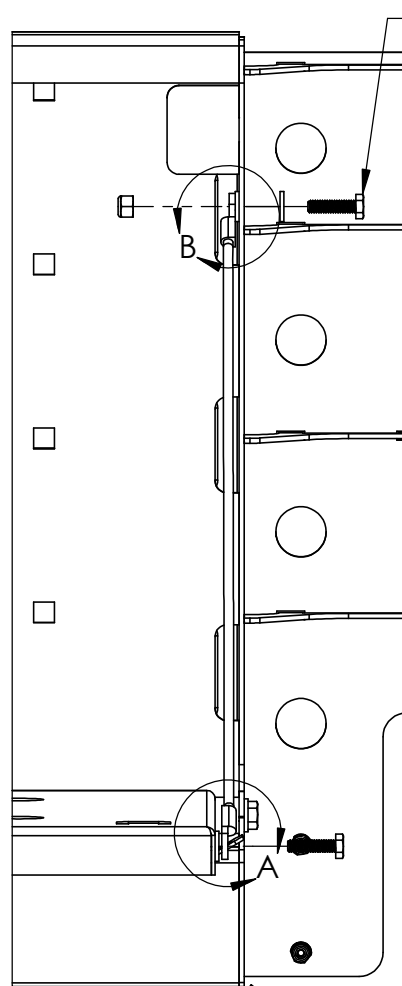
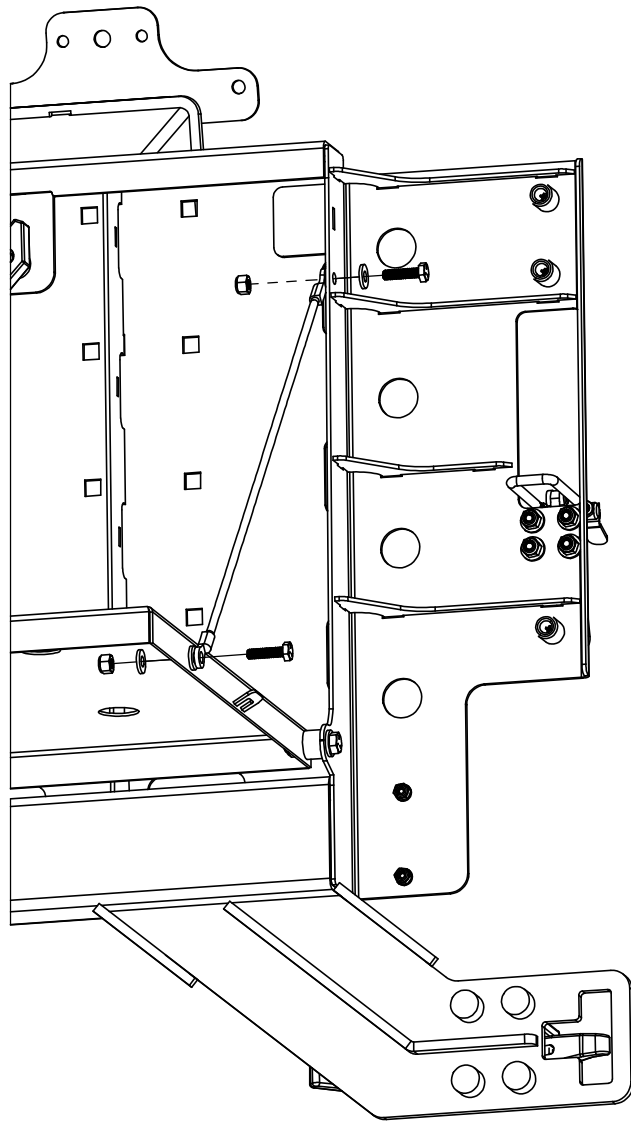
1

B

B

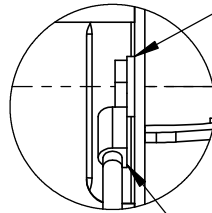
A

A



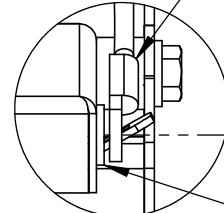
1/4" X 3/4" BOLTS

PLACE WASHER BETWEEN CABLE AND END PLATE



DETAIL B  
SCALE 1 : 2

TWIST CABLE 180 DEGREES



DETAIL A  
SCALE 1 : 2

PLACE WASHER BETWEEN CABLE AND CAMP TABLE



**PROPRIETARY AND CONFIDENTIAL**  
 THE INFORMATION CONTAINED IN THIS DRAWING IS THE SOLE PROPERTY OF C4 FABRICATION, LLC. ANY REPRODUCTION IN PART OR AS A WHOLE WITHOUT THE WRITTEN PERMISSION OF C4 FABRICATION, LLC IS PROHIBITED.

MATERIAL

	NAME	DATE
DRAWN	BEB	10/2/18
CHECKED		
ENG APPR.		
MFG APPR.		
Q.A.		

COMMENTS:

C4 FABRICATION

TITLE:

CAMP TABLE CABLES

SIZE <b>A</b>	DWG. NO.	REV <b>A</b>
------------------	----------	-----------------

2

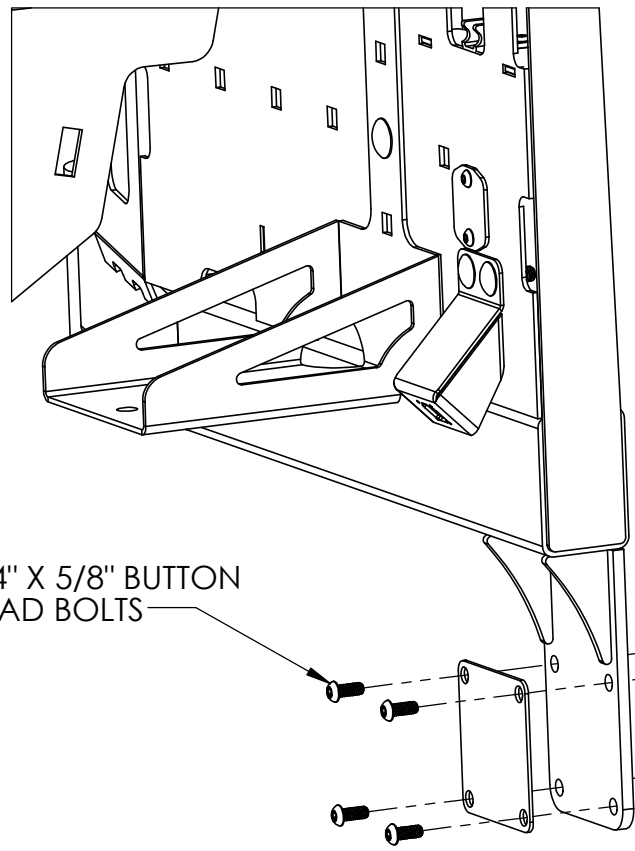
1

2

1

B

B




1/4" X 5/8" BUTTON  
HEAD BOLTS

RED, THREADED  
BUMPERS

A

A

 <p><b>PROPRIETARY AND CONFIDENTIAL</b> THE INFORMATION CONTAINED IN THIS DRAWING IS THE SOLE PROPERTY OF C4 FABRICATION, LLC. ANY REPRODUCTION IN PART OR AS A WHOLE WITHOUT THE WRITTEN PERMISSION OF C4 FABRICATION, LLC IS PROHIBITED.</p>	NAME	DATE	<b>C4 FABRICATION</b> TITLE: <b>ALUMINUM PAD AND BUMPERS</b>	
	DRAWN	BEB		10/2/18
	CHECKED			
	ENG APPR.			
	MFG APPR.			
Q.A.			SIZE <b>A</b> DWG. NO.    REV <b>A</b>	
COMMENTS:			DO NOT SCALE DRAWING    WEIGHT:    SHEET 24 OF 27	
MATERIAL				

2

1

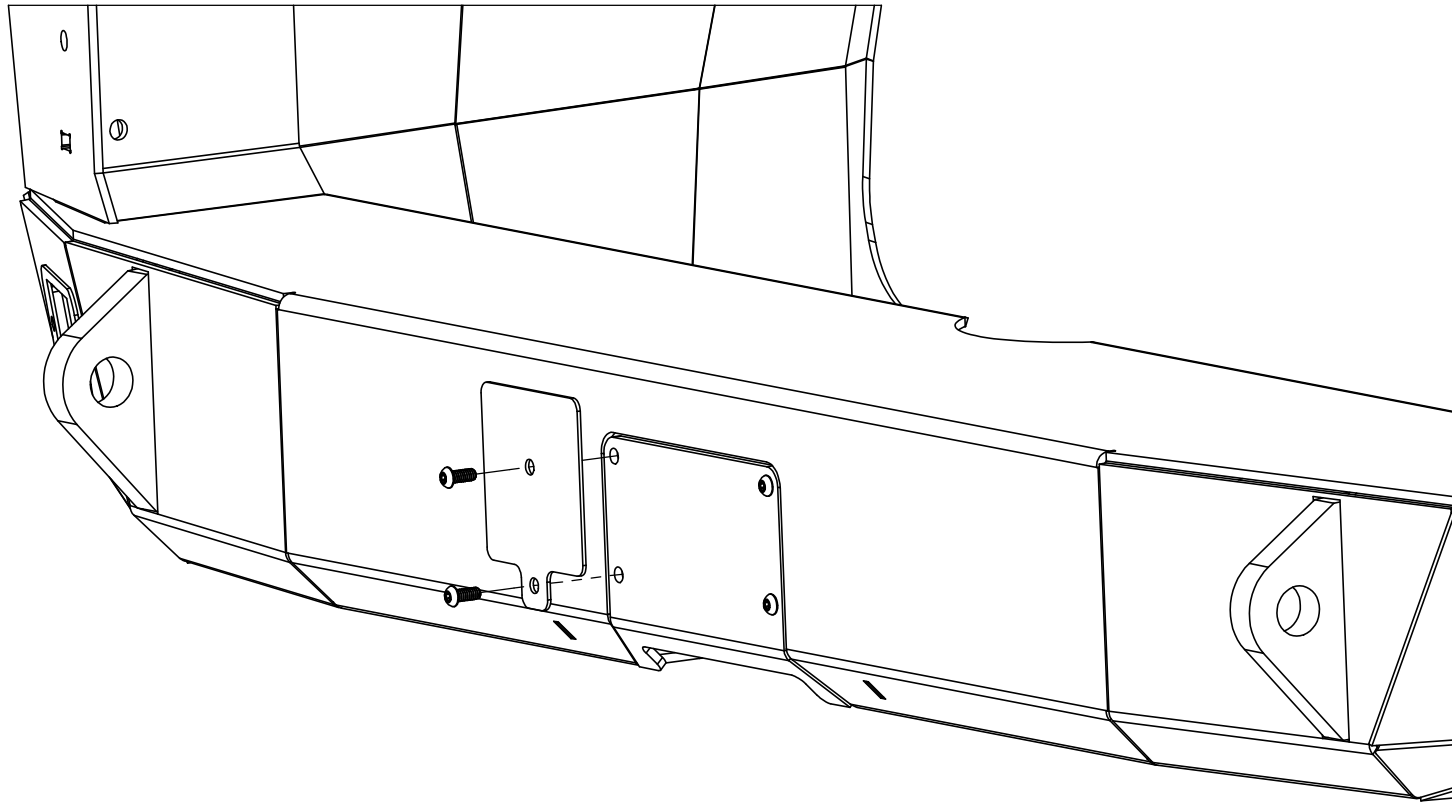


2

1

B

B



A

A



**PROPRIETARY AND CONFIDENTIAL**  
 THE INFORMATION CONTAINED IN THIS DRAWING IS THE SOLE PROPERTY OF C4 FABRICATION, LLC. ANY REPRODUCTION IN PART OR AS A WHOLE WITHOUT THE WRITTEN PERMISSION OF C4 FABRICATION, LLC IS PROHIBITED.

MATERIAL

	NAME	DATE
DRAWN	BEB	10/2/18
CHECKED		
ENG APPR.		
MFG APPR.		
Q.A.		
COMMENTS:		

**C4 FABRICATION**

TITLE:

**ALUMINUM BUMPER PAD**

SIZE <b>A</b>	DWG. NO.	REV <b>A</b>
------------------	----------	-----------------

DO NOT SCALE DRAWING

WEIGHT:

SHEET 25 OF 27

2

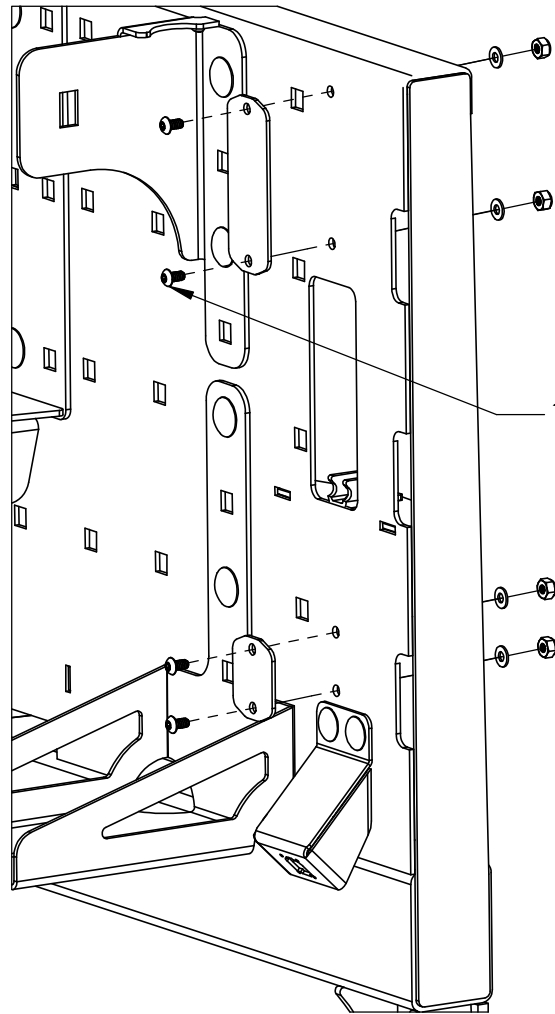
1

2

1

B

B



10-24 X 1/2" BUTTON HEAD BOLTS

A

A



**PROPRIETARY AND CONFIDENTIAL**  
 THE INFORMATION CONTAINED IN THIS DRAWING IS THE SOLE PROPERTY OF C4 FABRICATION, LLC. ANY REPRODUCTION IN PART OR AS A WHOLE WITHOUT THE WRITTEN PERMISSION OF C4 FABRICATION, LLC IS PROHIBITED.

MATERIAL

	NAME	DATE
DRAWN	BEB	10/2/18
CHECKED		
ENG APPR.		
MFG APPR.		
Q.A.		

COMMENTS:

C4 FABRICATION

TITLE:

UPPER BUMPER PADS

SIZE <b>A</b>	DWG. NO.	REV <b>A</b>
------------------	----------	-----------------

DO NOT SCALE DRAWING

WEIGHT:

SHEET 26 OF 27

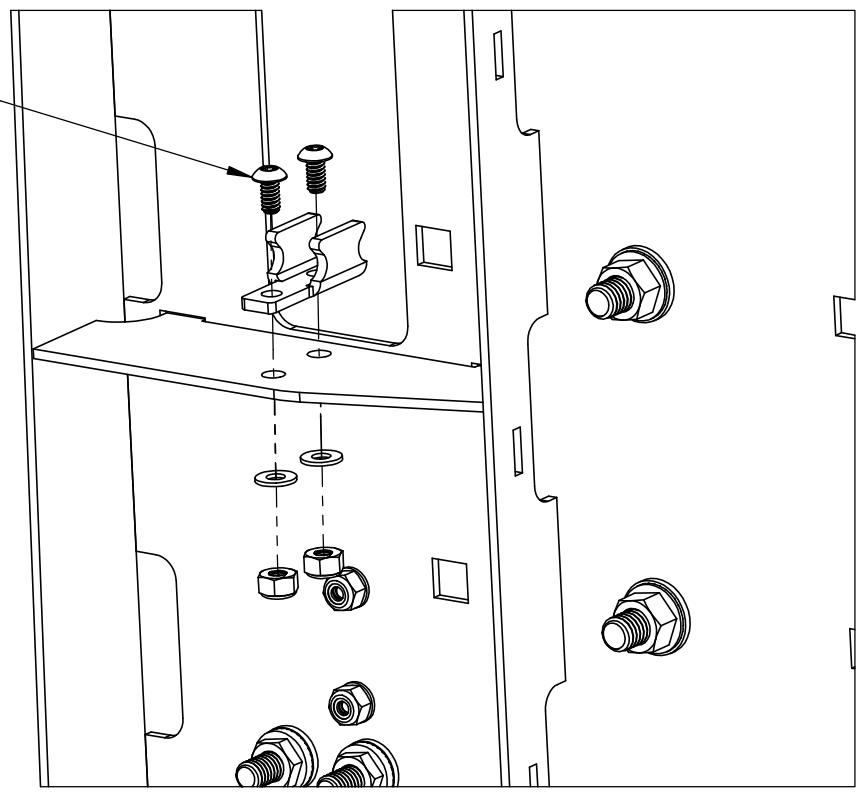
2

1

2

1

10-24 X 1/2" BOLTS



B

B

A

A



**PROPRIETARY AND CONFIDENTIAL**  
 THE INFORMATION CONTAINED IN THIS DRAWING IS THE SOLE PROPERTY OF C4 FABRICATION, LLC. ANY REPRODUCTION IN PART OR AS A WHOLE WITHOUT THE WRITTEN PERMISSION OF C4 FABRICATION, LLC IS PROHIBITED.

MATERIAL

	NAME	DATE
DRAWN	BEB	10/2/18
CHECKED		
ENG APPR.		
MFG APPR.		
Q.A.		

COMMENTS:

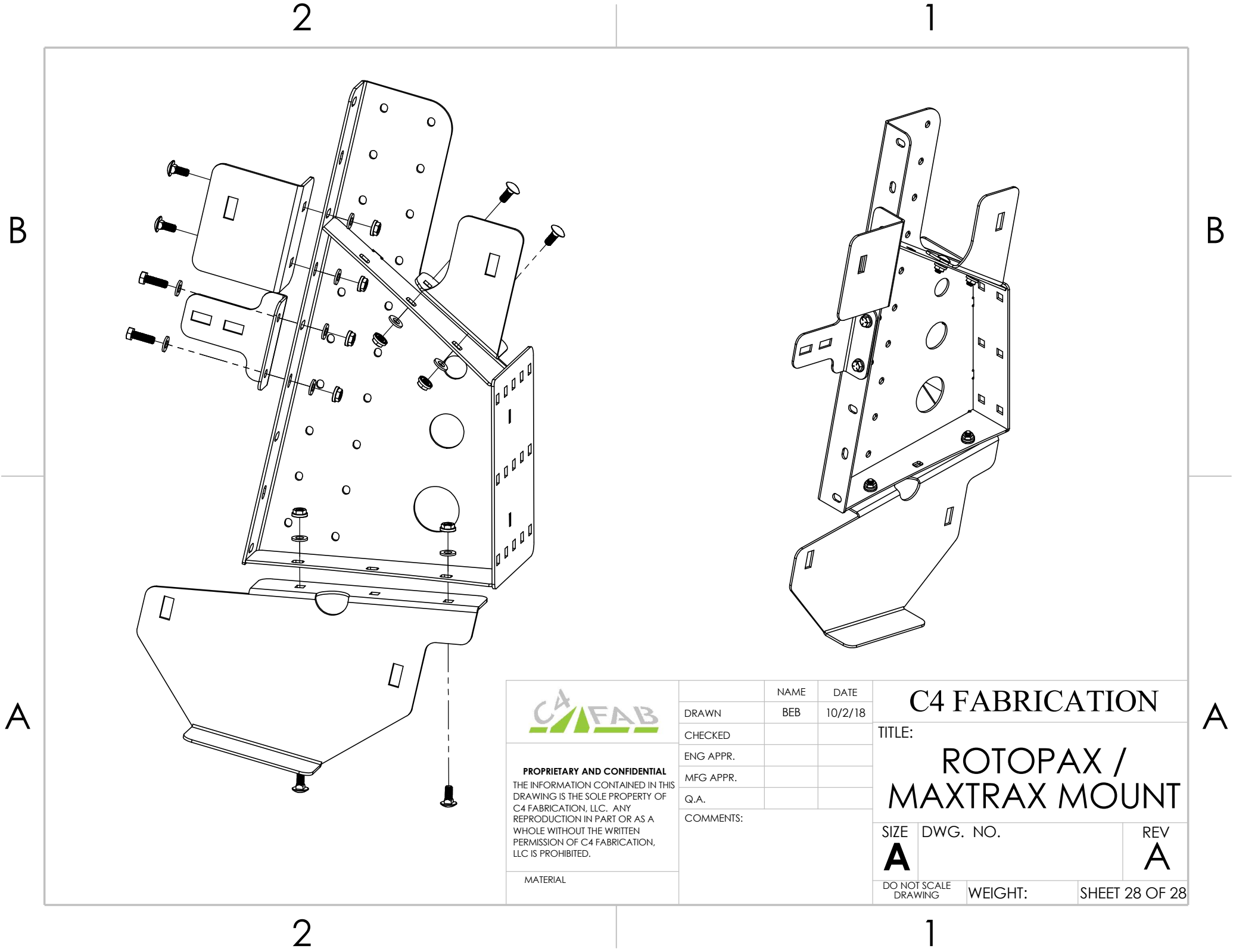
C4 FABRICATION

TITLE:  
**UPPER CATCH**

SIZE <b>A</b>	DWG. NO.	REV <b>A</b>
DO NOT SCALE DRAWING	WEIGHT:	SHEET 27 OF 27

2

1



**PROPRIETARY AND CONFIDENTIAL**  
 THE INFORMATION CONTAINED IN THIS DRAWING IS THE SOLE PROPERTY OF C4 FABRICATION, LLC. ANY REPRODUCTION IN PART OR AS A WHOLE WITHOUT THE WRITTEN PERMISSION OF C4 FABRICATION, LLC IS PROHIBITED.

MATERIAL

	NAME	DATE
DRAWN	BEB	10/2/18
CHECKED		
ENG APPR.		
MFG APPR.		
Q.A.		
COMMENTS:		

**C4 FABRICATION**

TITLE:

**ROTOPAX /  
 MAXTRAX MOUNT**

SIZE	DWG. NO.	REV
<b>A</b>		<b>A</b>

DO NOT SCALE  
 DRAWING

WEIGHT:

SHEET 28 OF 28