

8



SECTION EIGHT

[8-1 SMALL COMPRESSION LATCH](#)

[8-2 LARGE COMPRESSION LATCH](#)

SMALL COMPRESSION LATCH

FEATURES:

- Flush fitting
- Supplied with gasket
- Compression action
- Push button operation
- Many key codes available

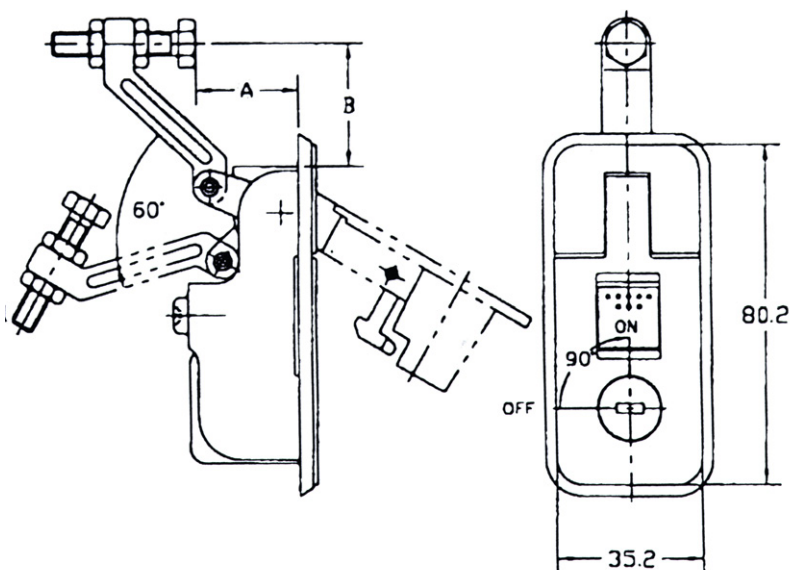
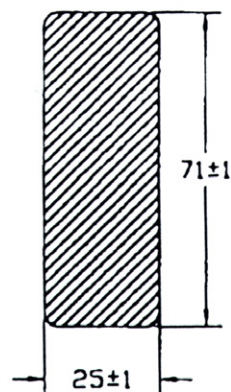
DIMENSIONS:

Height = 80.20mm
Width = 35.20mm

MATERIAL & FINISH:

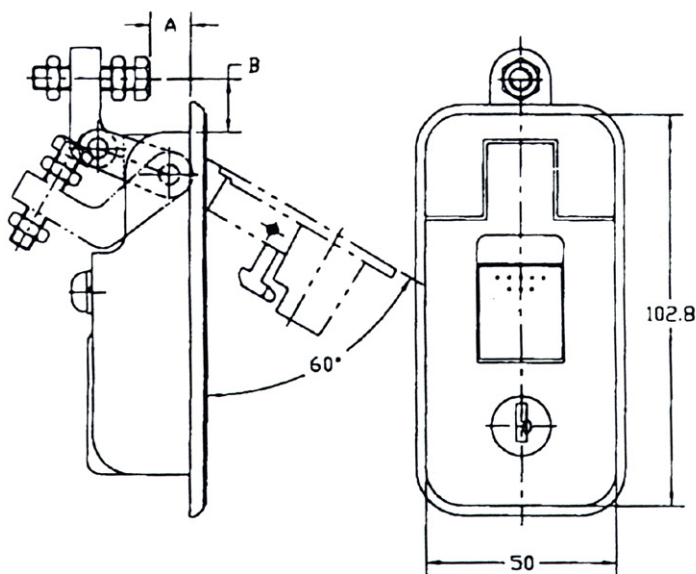
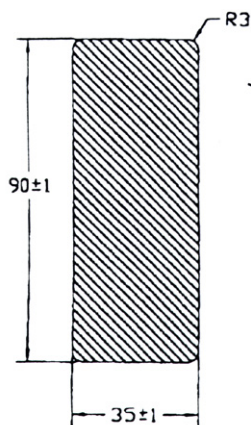
Handle Zinc, chrome plated or black powder coated
Bracket Mild steel, zinc plated
Cam Zinc

CUT OUT



COLOUR	"A" DIMENSION (mm)	"B" DIMENSION (mm)	PART NUMBER
Chrome plated	15-30	28.5	10208-CH###
Black powder coated	15-30	28.5	10208-CH###-BLK
Brushed	15-30	28.5	10208-CH###-BRU

CUT OUT



LARGE COMPRESSION LATCH

FEATURES:

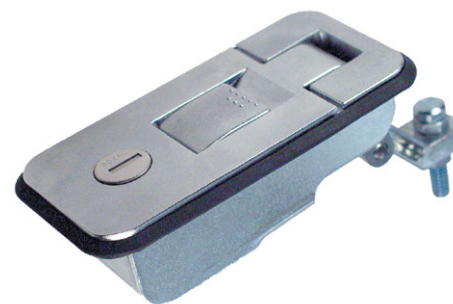
- Flush fitting
- Supplied with gasket
- Compression action
- Push button operation
- Many key codes available

DIMENSIONS:

Height = 102.80mm
Width = 50.00mm

MATERIAL & FINISH:

Handle Zinc, chrome plated or black powder coated
Bracket Mild steel, zinc plated
Cam Zinc



COLOUR	"A" DIMENSION (mm)	"B" DIMENSION (mm)	PART NUMBER
Chrome plated	20-35	28.5	10207-CH###
Black powder coated	1-15	13.5	10207A-CH###-BLK
Black powder coated	20-32	28.5	10207-CH###-BLK
Black powder coated	30-43	15	10207-CH###-BLK-2