

7



SECTION SEVEN

[7-1 FOLDING T HANDLE](#)

[7-2 CENTRAL LOCKING FOLDING T HANDLE](#)

[7-3 HEAVY DUTY FOLDING T HANDLE](#)

[7-4 PADDLE HANDLE](#)

[7-5 DUST CAP](#)

[7-6 CAMS FOR FOLDING T HANDLE](#)

[7-7 ADJUSTABLE ROLLER CAM](#)

MIDNIGHT SERIES FOLDING T HANDLE

FEATURES:

- New modern design
- Heavy duty construction
- Suitable for 1 or 3 point locking
- New plastic spring clicker
- High security automotive barrel
- Suit padlock up to 8mm

DIMENSIONS:

Height = 140mm
Width = 140mm

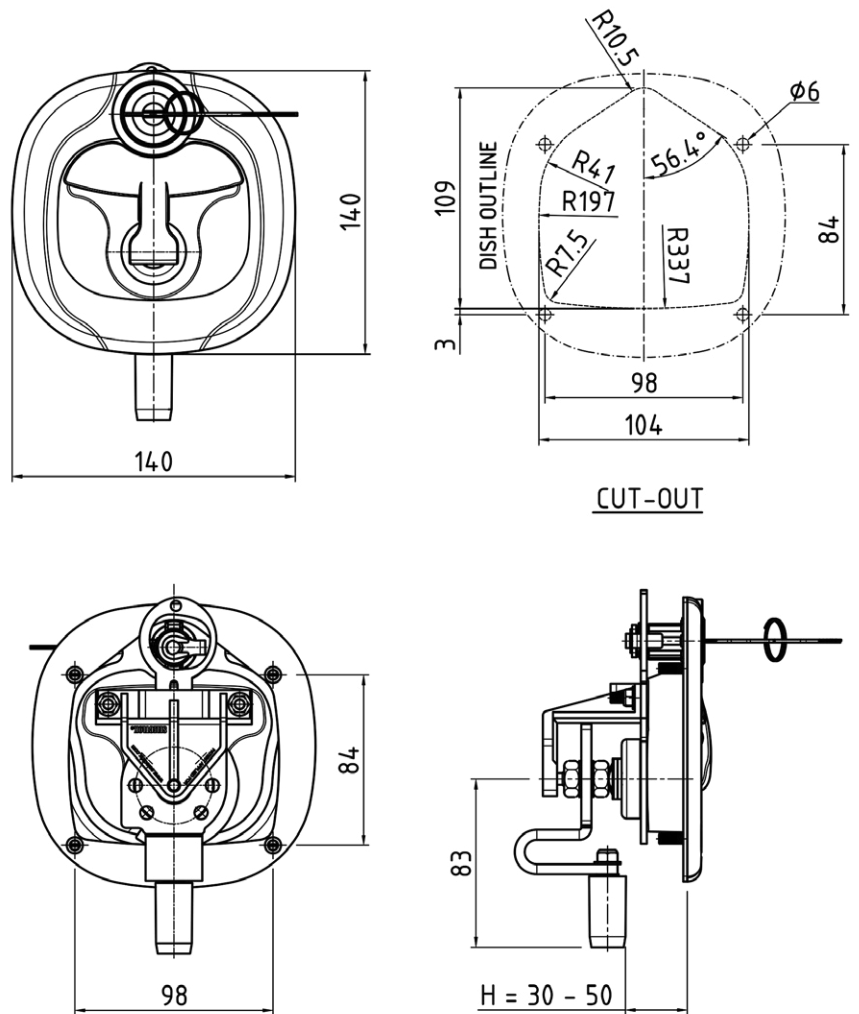
MATERIAL & FINISH:

Bracket Zinc die, zinc plated
Cam & Shaft Mild steel, zinc plated

ACCESSORIES:

Roller Kit 10502-RRK
-includes all parts listed below

PART NUMBER	QTY	PAGE
• RG007	2	3-11
• RG008	2	3-8
• 10502-PIN	2	-
• ROD1200E	2	3-10



HANDLE	DISH	KEY NUMBER	PART NUMBER
Black satin, EDP coated	Black satin, EDP coated	SK#	10503-SK#-ZBB-R
Chrome plated	Black satin, EDP coated	SK#	10503-SK#-ZBC-R
Chrome plated	Chrome plated	SK#	10503-SK#-ZCC-R

Patent/design registration applied for

MIDNIGHT SERIES

CENTRAL LOCKING FOLDING T HANDLE

FEATURES:

- New modern design
- Heavy duty construction
- Suitable for 1 or 3 point locking
- New plastic spring clicker
- High security automotive barrel
- Suit padlock up to 8mm

DIMENSIONS:

Height = 140mm
Width = 140mm

MATERIAL & FINISH:

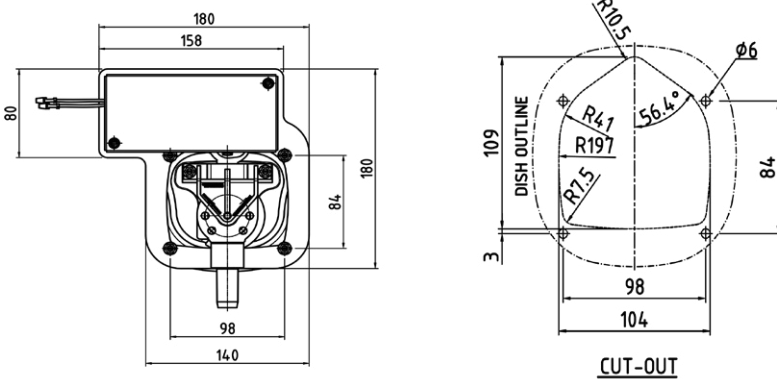
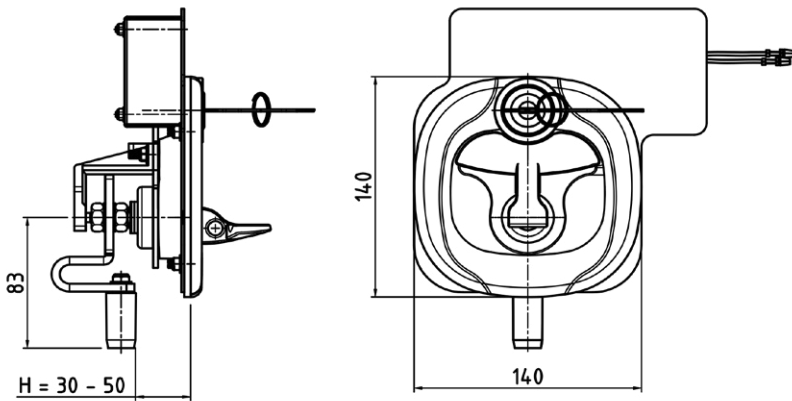
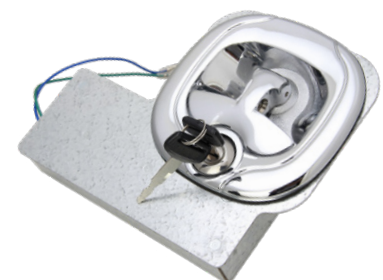
Bracket Zinc die, zinc plated
Cam & Shaft Mild steel, zinc plated

ACCESSORIES:

Roller Kit 10502-RRK
-includes all parts listed below

PART NUMBER QTY PAGE

- [RG007](#) 2 [3-11](#)
- [RG008](#) 2 [3-8](#)
- 10502-PIN 2 -
- [ROD1200E](#) 2 [3-10](#)



Central locking kit only

PART	VOLTAGE	ACTUATOR	PART NUMBER
Central Locking Kit	12V	Left	10502-MINI-L
Central Locking Kit	12V	Right	10502-MINI-R
Central Locking Kit	24V	Left	10502-MINI-L-24V
Central Locking Kit	24V	Right	10502-MINI-R-24V

Central locking kit & handle

HANDLE	DISH	ACTUATOR	PART NUMBER
Chrome Plated	Chrome Plated	Left	10503-SK#-CL-ZCC-LR
Chrome Plated	Chrome Plated	Right	10503-SK#-CL-ZCC-RR
Black EDP	Black EDP	Left	10503-SK#-CL-ZBB-LR
Black EDP	Black EDP	Right	10503-SK#-CL-ZBB-RR

HEAVY DUTY FOLDING T HANDLE

FEATURES:

- New modern design
- Stainless steel dish (mirror-like finish)
- IP65 (when [dust cap](#) fitted)
- Heavy duty construction
- Suitable for 1 or 3 point locking

DIMENSIONS:

Height = 128.5mm
Width = 130mm

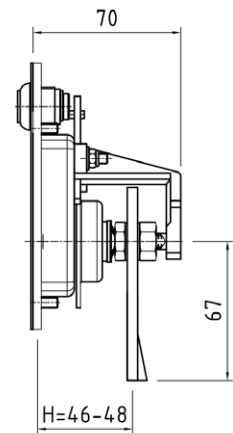
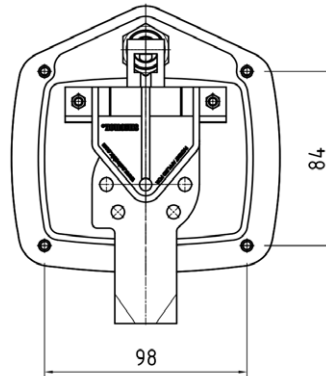
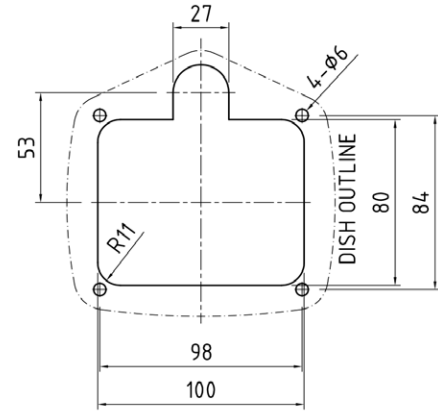
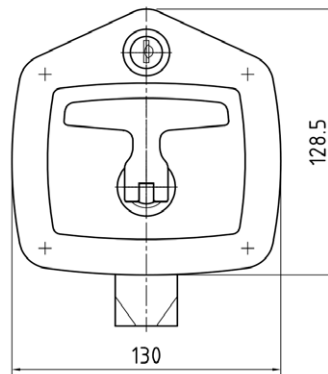
MATERIAL & FINISH:

Handle Zinc die, chrome plated
Bracket Zinc die cast
Dish Stainless steel
Cam & Shaft Mild steel, zinc plated

ACCESSORIES:

Pins for rods 10502-PIN
[RODS](#) [ROD1200E](#)

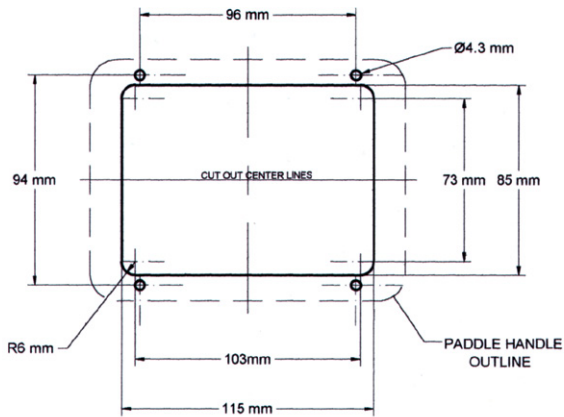
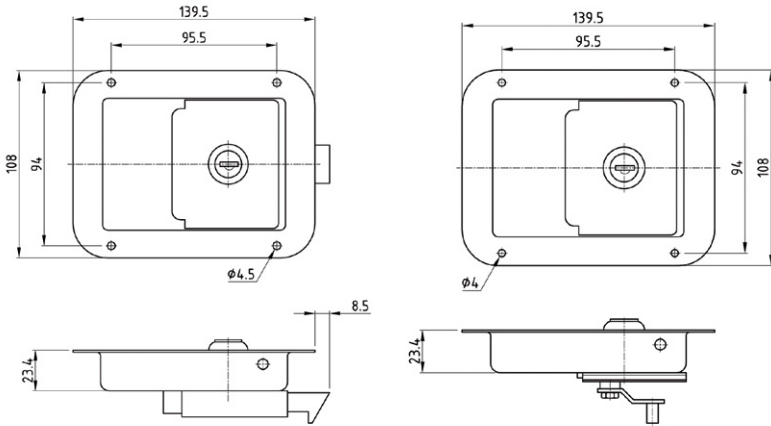
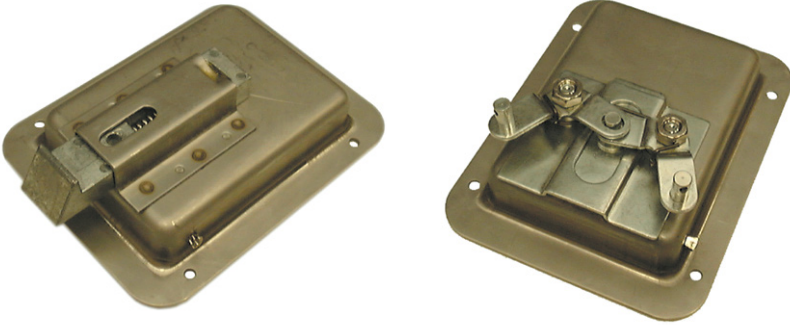
[Add DUST-CAP for IP65 rating \(page 7-5\)](#)



Please note: Add -R to part number for adjustable roller cam, [see section 7-7](#)

KEY NUMBER	MOUNTING METHOD	PART NUMBER
CH5##	Holes	10502-CH5##-N
CH5##	M5 studs	10502-CH5##-S-N

PADDLE HANDLE



FEATURES:

- Stainless steel dish (mirror-like finish)
- 10 different key combinations
- Can be keyed to folding T handle, compression latch or cam lock
- Available in single or two point locking
- Slam locking

DIMENSIONS:

Height = 108mm
Width = 139.5mm

MATERIAL & FINISH:

Handle & dish Stainless steel
Cam & rod control Mild steel zinc plated

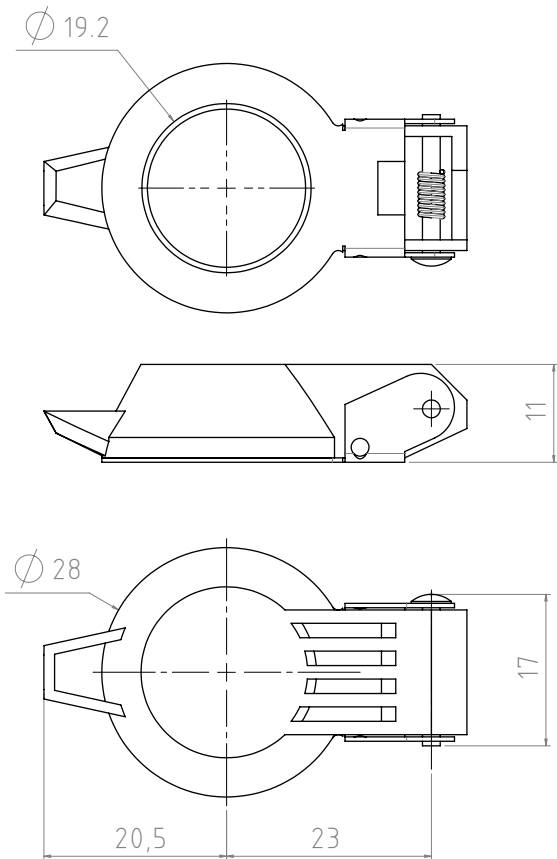
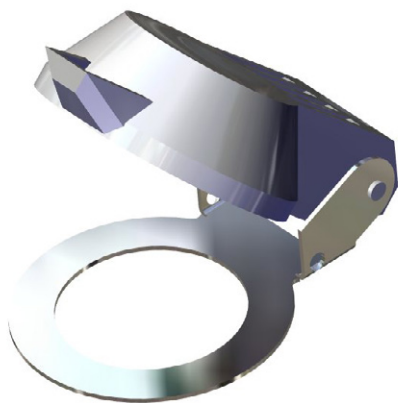


KEY NUMBER	CAM CONFIGURATION	PART NUMBER
CH5##	Single point slam cam	10409-CH5##
CH5##	Multi point cam	10411-CH5##

DUST CAP

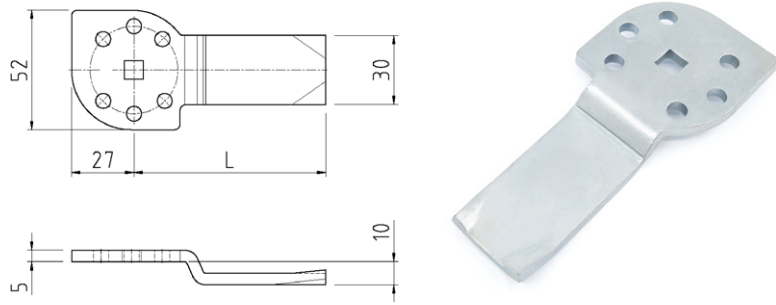
MATERIAL & FINISH:

Zinc die cast

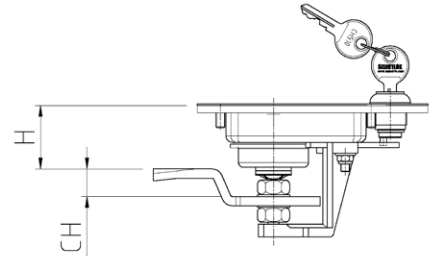


DIAMETER	FINISH	PART NUMBER
28 mm	Zinc die cast	DP001

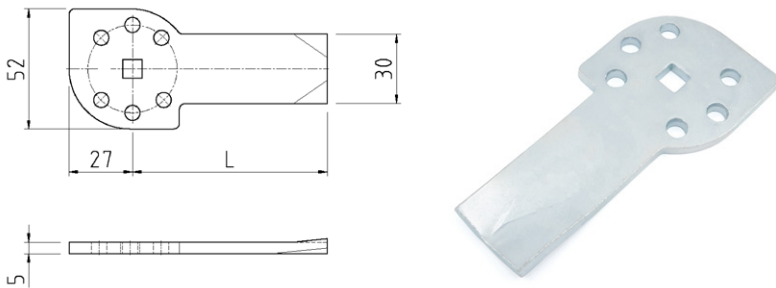
CAMS FOR FOLDING T HANDLE



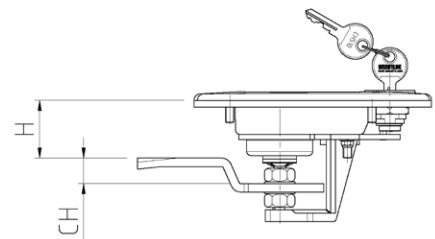
DIMENSION "L"	APPLICATION	PART NUMBER
66 (Standard)	Stainless steel dish folding T handle	P3251-06-5
83 (Midnight)	Zinc dish folding T handle	P3251-06-10



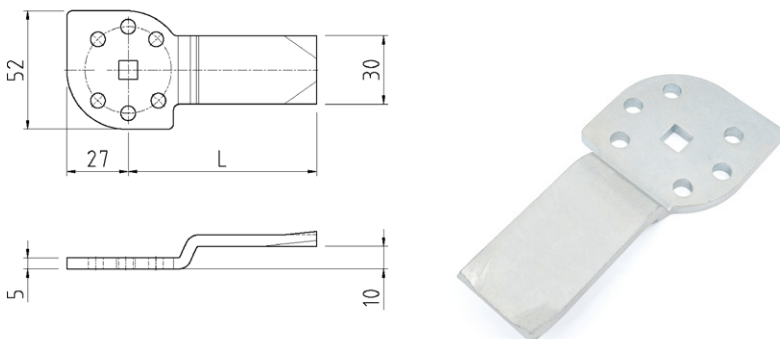
Cam assembled in
Stainless steel dish folding T handle



DIMENSION "L"	APPLICATION	PART NUMBER
66 (Standard)	Stainless steel dish folding T handle	P3251-06-4
83 (Midnight)	Zinc dish folding T handle	P3251-06-13



Cam assembled in
Zinc dish folding T handle



DIMENSION "L"	APPLICATION	PART NUMBER
66 (Standard)	Stainless steel dish folding T handle	P3251-06-6
83 (Midnight)	Zinc dish folding T handle	P3251-06-12

MATERIAL & FINISH:

- Mild steel
- Zinc plated
- 5mm material thickness

Stainless steel range available
on request

ADJUSTABLE ROLLER CAM

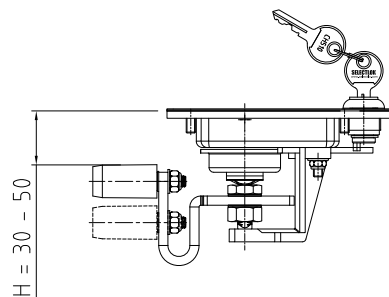
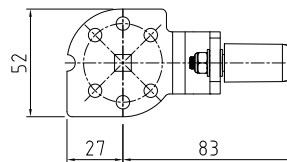
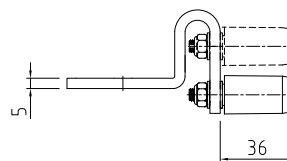
FEATURES:

- Suit folding T handle
- Adjustable “H” dimension

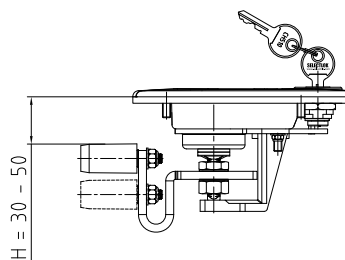
MATERIAL & FINISH:

G-cam 5mm mild steel plate,
zinc plated
Roller Black polyamide

Stainless steel range available
on request



Adjustable roller cam assembled in [Stainless steel dish folding T handle](#)



Adjustable roller cam assembled in [Zinc dish folding T handle](#)



DESCRIPTION

PART NUMBER

Adjustable roller cam

P3251-06-14