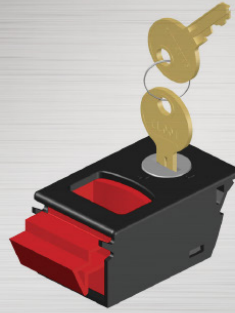


6



SECTION SIX

6-1 FLUSH LOCK

6-2 SLIDE LATCH

6-3 LOCKABLE SLIDE LATCH

6-4 NON LOCKABLE SLIDE LATCH

6-5 PANEL LOCK

6-6 FLUSH PULL RING LATCH

FLUSH LOCK

FEATURES:

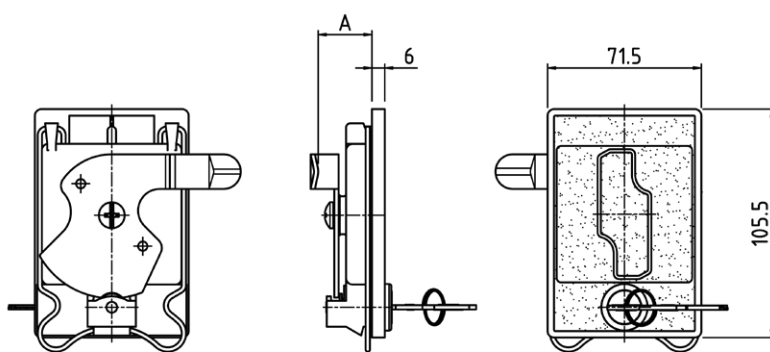
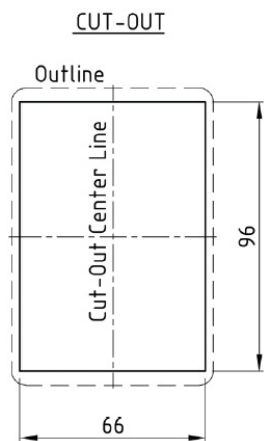
- Flush fitting
- Easy assembly
- Multiple key combinations available
- Economically priced

DIMENSIONS:

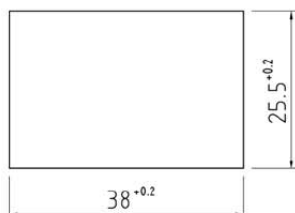
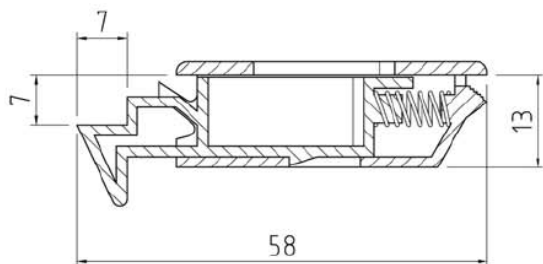
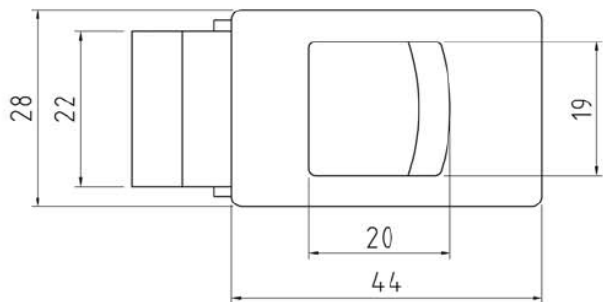
Height = 105.5mm
Width = 71.5mm

MATERIAL & FINISH:

Handle Zinc die, Chrome plated
Base Zinc die, Black powder coated
Cam Mild steel, Zinc plated



KEY CODE	DIMENSION "A"	HANDEDNESS	PART NUMBER
92268	15mm	RH	ALFR02C
92268	25mm	RH	ALFR02
CL001	15mm	RH	ALFR01C
CL001	25mm	RH	ALFR01
CL001	29mm	RH	ALFR01V



CUT-OUT

SLIDE LATCH

FEATURES:

- Suits 0.8mm to 2.3mm door thickness
- 6mm stroke

MATERIAL:

Polyamide



COLOUR

Black - Black

PART NUMBER

PI5142-00-2

LOCKABLE SLIDE LATCH

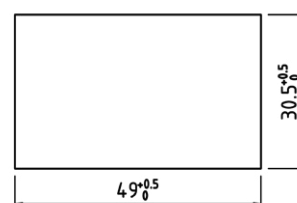
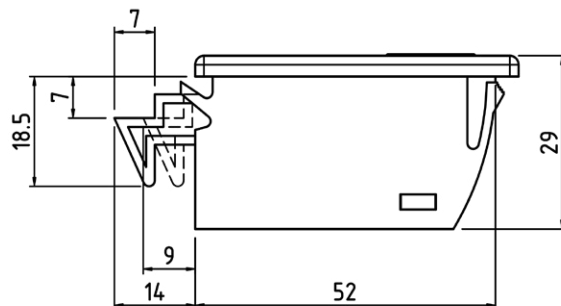
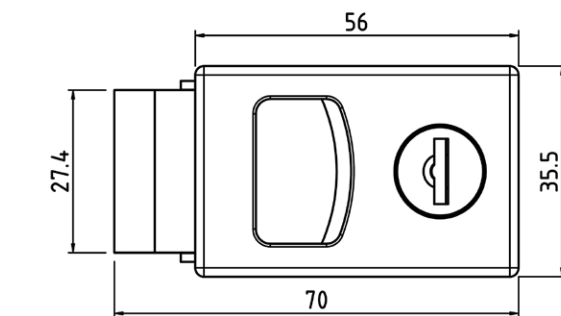
FEATURES:

- Suits 0.8mm to 2.3mm door thickness
- 6.5mm stroke

MATERIAL:

Polyamide

**Also available with slam shut while in locked state



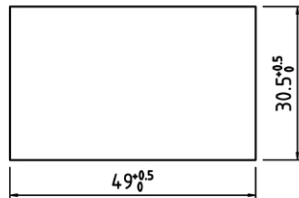
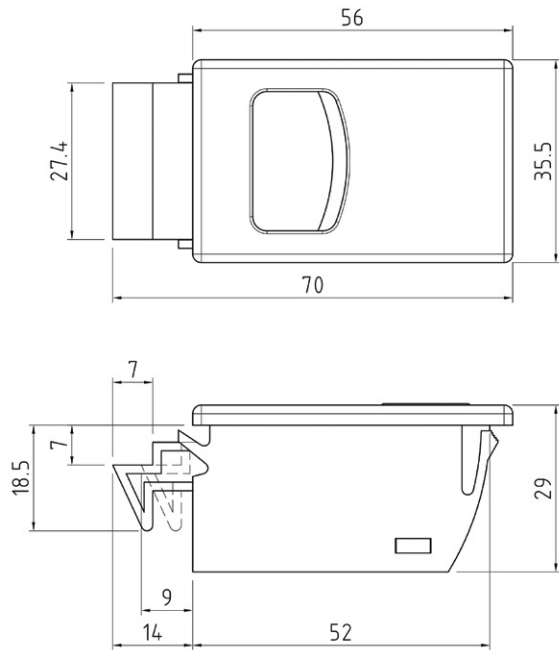
CUT-OUT



KEY CODE	COLOUR	PART NUMBER
CL001	Black - Black	PI5259-02-01
92268	Black - Black	PI5259-02-02

*Other dimension available upon request moq applies

NON LOCKABLE SLIDE LATCH



CUT-OUT

FEATURES:

- Suits 0.8mm to 2.3mm door thickness
- 6mm stroke

MATERIAL:

Polyamide



COLOUR

Black

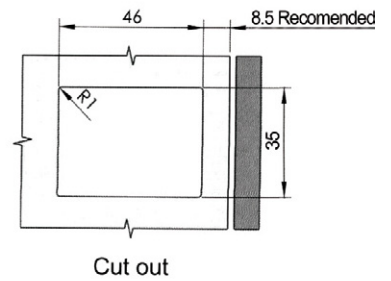
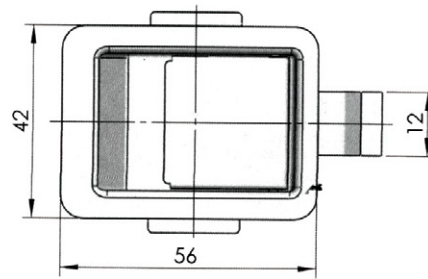
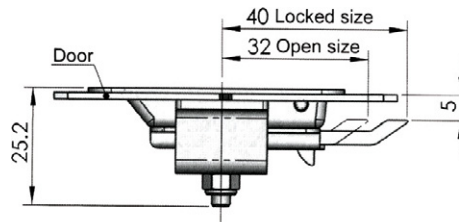
PART NUMBER

PI5303-02

PANEL LOCK

MATERIAL:

Wire drawing polished stainless steel



MATERIAL

Stainless steel

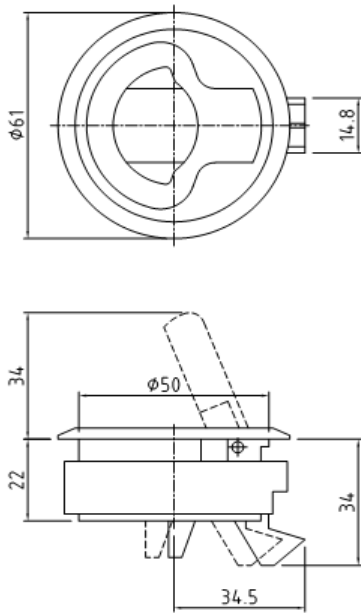
PART NUMBER

MS866-8

FLUSH PULL RING LATCH

MATERIAL & FINISH:

- ABS
- Nylon



DESCRIPTION	PART NUMBER
Pull ring latch	94009