

3



SECTION THREE

[3-1 ROLLER CAMS](#)

[3-2 SINGLE POINT LOCKING](#)

[3-3 THREE POINT LOCKING](#)

[3-3 EMERGENCY INTERNAL HANDLE](#)

[3-4 SHAFT EXTENSION](#)

[3-5 THREE POINT CAMS](#)

[3-8 CONNECTOR CLIP](#)

[3-8 ROD GUIDE](#)

[3-9 LOCKING RODS](#)

[3-11 ROD ADAPTER](#)

[3-11 ROLLER ROD END ATTACHMENT](#)

[3-12 ROD LATCH CONTROL](#)

[3-13 FLAT ROD](#)

[3-14 BURST LATCHES](#)

[3-15 ROD SLAM CATCH](#)

[3-16 SLAM CATCH](#)

ROLLER CAMS

FEATURES:

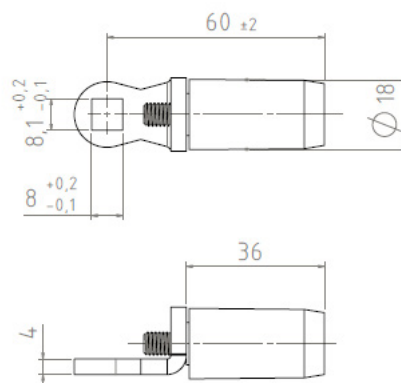
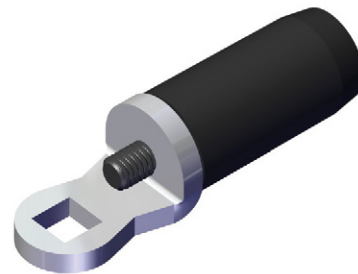
- Smooth rolling action

MATERIAL & FINISH:

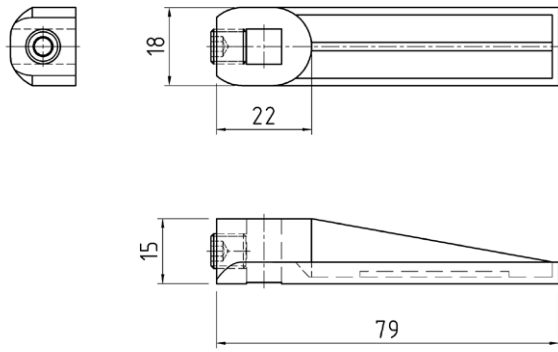
Material Zinc die cast/mild steel

Finish Zinc plated

* More sizes available on request



DESCRIPTION	PART NUMBER
Single point no stopper	XCAM-17-R



SINGLE POINT LOCKING

FEATURES:

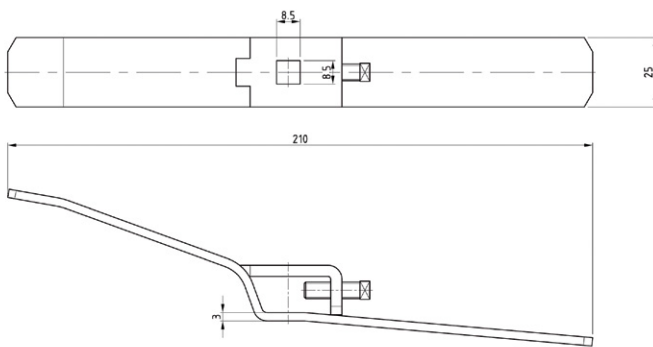
- Suits 8mm square shaft
- Fully adjustable
- Grub screw fastening
- High quality zinc plating

MATERIAL & FINISH:

Material Zinc die cast
Finish Zinc plated



DESCRIPTION	PART NUMBER
Single point cam	1000-1586



INTERNAL HANDLE

FEATURES:

- Suits 8mm square shaft
- Fully adjustable
- Heavy duty construction

MATERIAL & FINISH:

Material Mild steel
Finish Zinc plated

DESCRIPTION	PART NUMBER
Internal handle	1000-1592



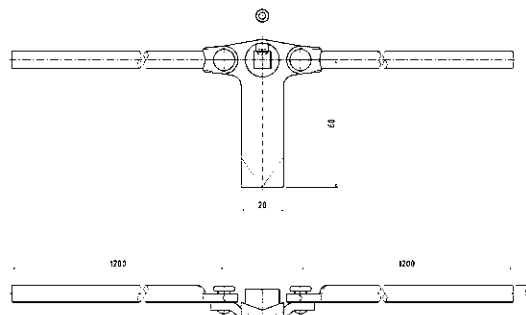
THREE POINT LOCKING

FEATURES:

- Suits 8mm square shaft
- Fully adjustable
- Grub screw fastening
- High quality zinc plating
- To suit door height up to 2400mm

MATERIAL & FINISH:

Material Mild steel
Finish Zinc plated



DESCRIPTION

Three point locking kit

PART NUMBER

1000-1589-1200E

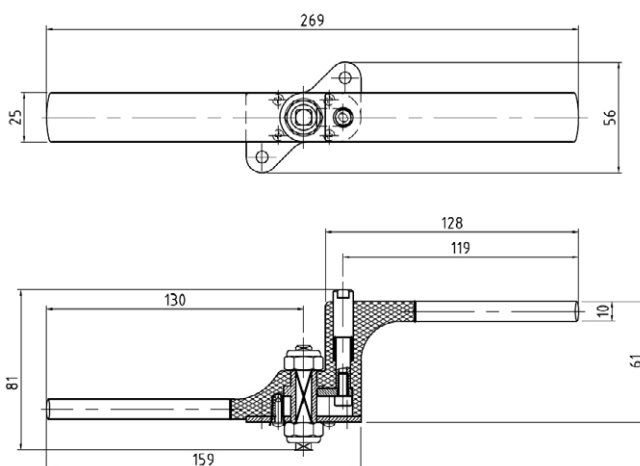
EMERGENCY INTERNAL HANDLE

FEATURES:

- Suits 8mm square shaft
- Fully adjustable
- Heavy duty construction
- Push button action
- Is suitable for use with swing handles
- 3 point locking compatible

MATERIAL & FINISH:

Material Zinc die cast/mild steel
Finish Zinc plated



DESCRIPTION

Emergency internal handle

PART NUMBER

P2535

[May require shaft extension shown on page 3-4](#)

SHAFT EXTENSION

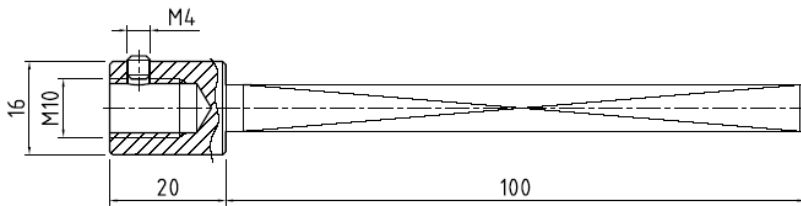
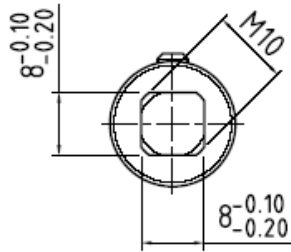
FEATURES:

- Suits swing handle - central locking when [cam P2535](#) is used

MATERIAL & FINISH:

Material: Mild steel

Finish: Zinc plated



KEY NUMBER

PART NUMBER

Shaft extension

PI5270

THREE POINT CAM

FEATURES:

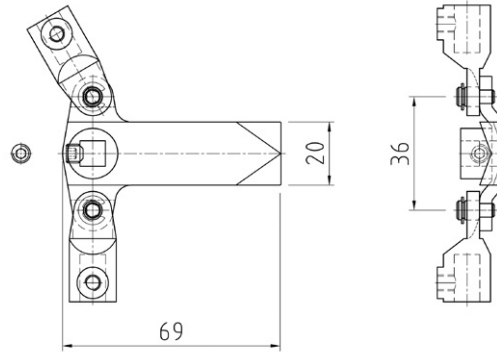
- Suits 8mm square shaft
- Fully adjustable
- With fitted rod adapters
- Solid boss
- Grub screw fastening
- High quality zinc plating
- Stainless steel available

MATERIALS & FINISH:

Material Zinc die cast/mild steel
Finish Zinc plated

Material Stainless steel
Finish Stainless steel

SELECTLOK
STAINLESS
STEEL



DESCRIPTION

PART NUMBER

Three point cam with rod adapters

1000-1587

Stainless steel three point cam with rod adapters

1000-1587-SS

THREE POINT CAM

FEATURES:

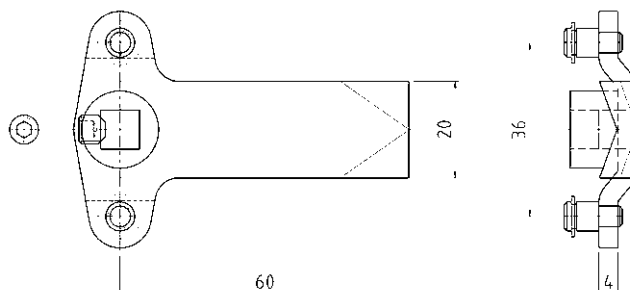
- Suits 8mm square shaft
- For assembly with rods with eye
- Solid boss
- Grub screw fastening
- High quality zinc plating
- Stainless steel available

MATERIALS & FINISH:

Material Zinc die cast/mild steel
Finish Zinc plated

Material Stainless steel
Finish Stainless steel

SELECTLOK
STAINLESS
STEEL



DESCRIPTION

PART NUMBER

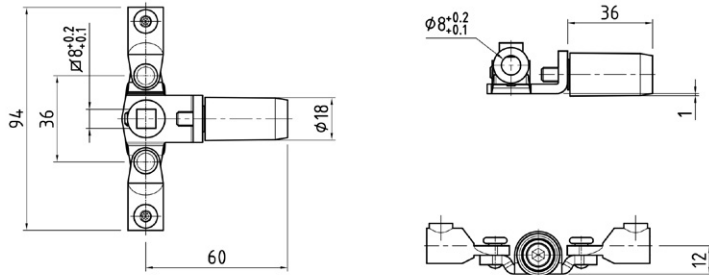
Three point cam

1000-1588

Stainless steel three point cam

1000-1588-SS

THREE POINT ROLLER CAM



FEATURES:

- Suits 8mm square shaft
- Fully adjustable
- With fitted rod adapters
- Solid boss
- Grub screw fastening
- High quality zinc plated

MATERIAL & FINISH:

Cam	Mild steel, Zinc plated
Adapter	Zinc die cast, Zinc plated
Roller	Black Polyamide

DESCRIPTION	PART NUMBER
Three point cam with roller and riveted adapter	1000-1587-RR

THREE POINT CAM

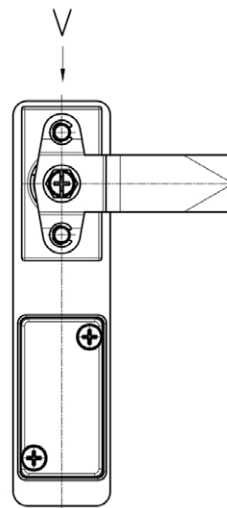
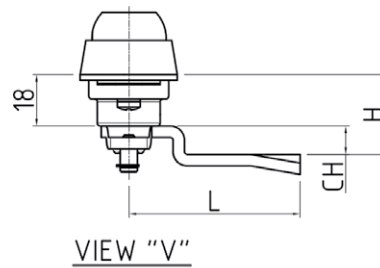
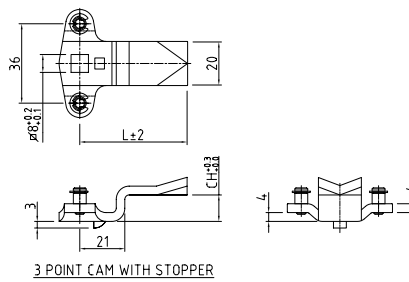
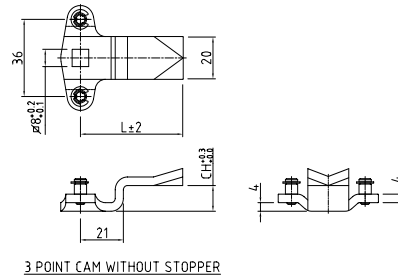
FEATURES:

- Suits IND series swing handle

MATERIAL & FINISH:

Material Zinc die cast/mild steel
 Finish Zinc plated

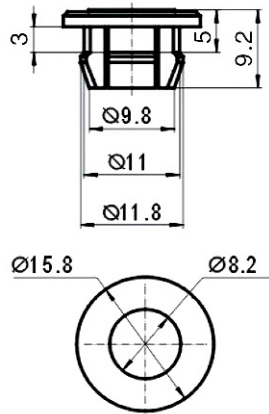
* More sizes available on request



Please note:

- For stopper feature add "-S" to end of part number

CH	L (mm)	H (mm)	PART NUMBER
12	55	30	1000-1588-30-55
14	45	32	1000-1588-32-45



CONNECTOR CLIP

FEATURES:

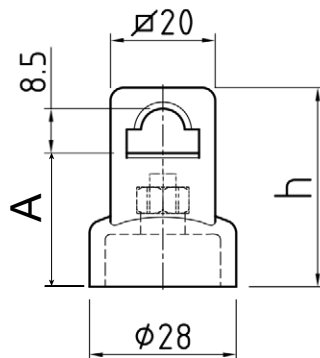
- Nylon guide, match with 8mm diameter rod

MATERIAL:

Material Nylon



MATERIAL	PART NUMBER
Nylon	RG008



ROD GUIDE

MATERIAL & FINISH:

Material Black Polyamide
Finish N/A

DOOR RETURN HEIGHT "A" (mm)	h (mm)	PART NUMBER
20	32	P3355-02
24	36	P3355-04
26	38	P3355-01
37.5	50	P3355-03



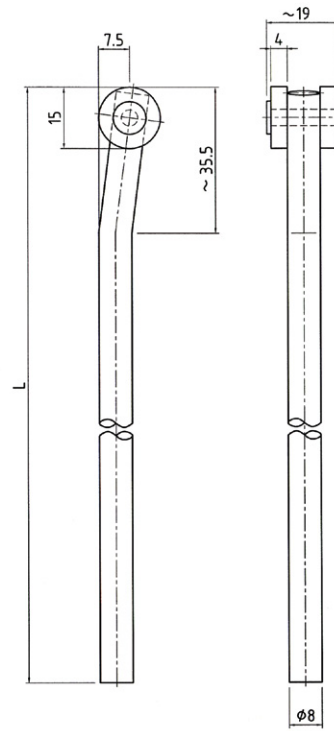
LOCKING ROD

FEATURES:

- 8mm diameter rod
- Various lengths available
- High quality zinc plating

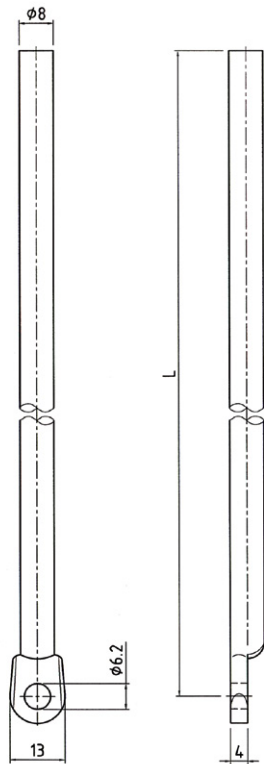
MATERIAL & FINISH:

Material Mild steel or stainless steel
Finish Zinc plated or polished



ROD LENGTH (mm)	PART NUMBER (MILD STEEL)	PART NUMBER (STAINLESS STEEL)
600	ROD600R	ROD600RSS
700	ROD700R	ROD700RSS
800	ROD800R	ROD800RSS
900	ROD900R	ROD900RSS
1000	ROD1000R	ROD1000RSS
1100	ROD1100R	ROD1100RSS
1200	ROD1200R	ROD1200RSS

LOCKING ROD



FEATURES:

- 8mm diameter rod
- Various lengths available
- Available in stainless steel
- High quality zinc plating

MATERIAL & FINISH:

Material Mild steel
Finish Zinc plated

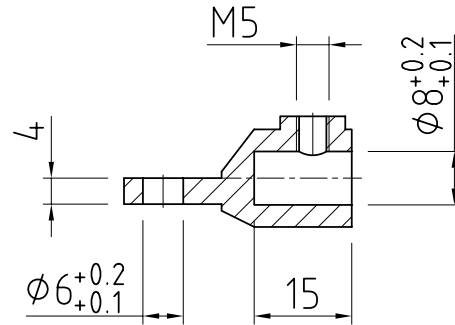
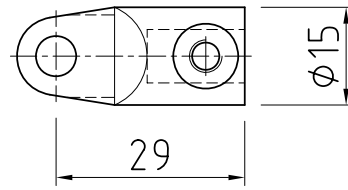
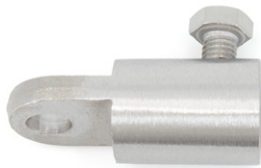
ROD LENGTH (mm)	PART NUMBER
600	ROD600E
700	ROD700E
800	ROD800E
900	ROD900E
1000	ROD1000E
1100	ROD1100E
1200	ROD1200E



ROD ADAPTER

MATERIAL & FINISH:

Material Zinc die cast/mild steel
 Finish Zinc plated

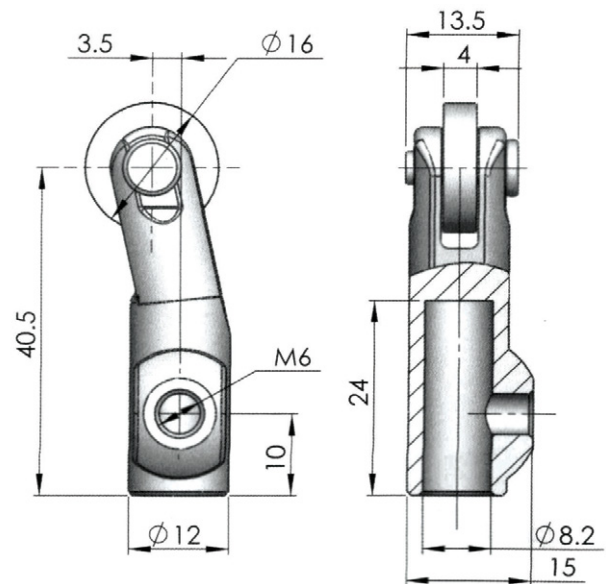
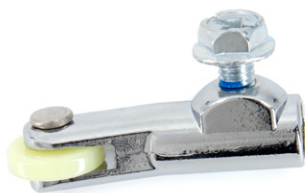


MATERIAL	PART NUMBER
Zinc die cast	RODADAPT
Stainless steel	RODADAPT-SS

ROLLER ROD END ATTACHMENT

MATERIAL:

Body Zinc die cast, chrome plated
 Roller Polyamide



DESCRIPTION	PART NUMBER
Roller	RG007

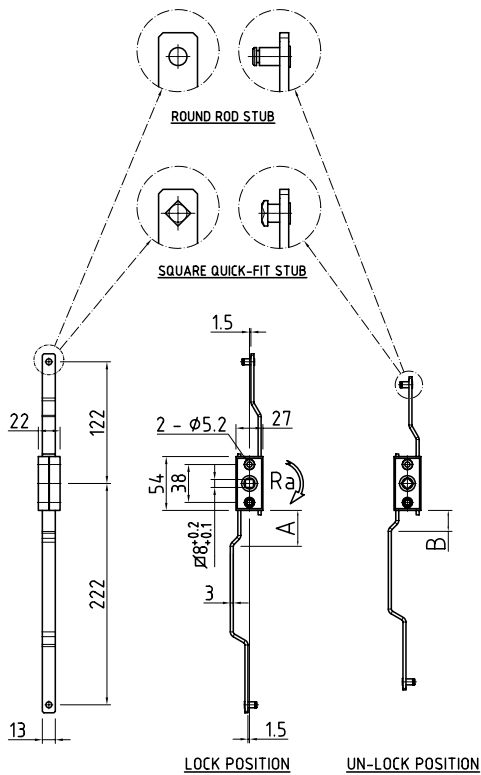
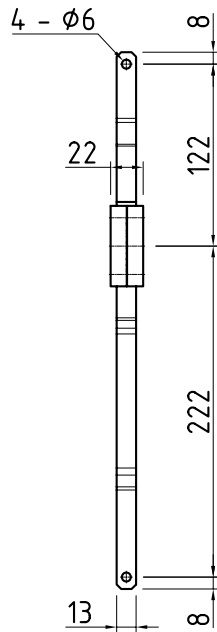
ROD LATCH CONTROL

FEATURES:

- Suits [swing handle IND series](#)

MATERIAL & FINISH:

Rod Mild steel, Zinc plated
Housing Zinc die cast, Zinc plated



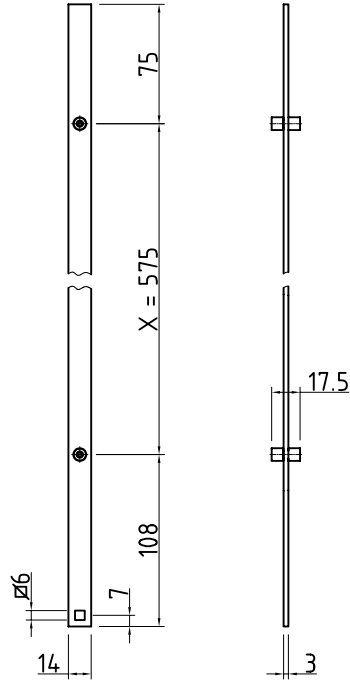
A	B	Ra	STUBS	PART NUMBER
38	13	135	Square quick-fit stubs	HMS103C-1-1
38	13	135	Round rod stubs	HMS103C-1-1-R

FLAT ROD

MATERIAL & FINISH:

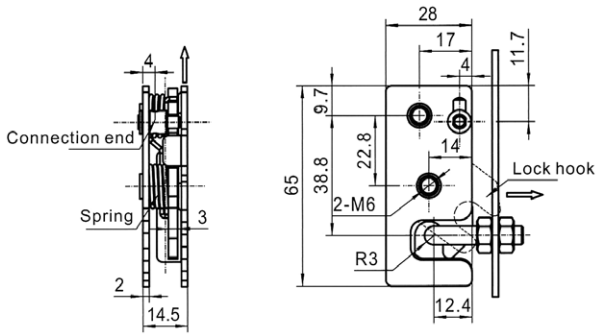
Material Mild steel
 Finish Zinc plated

* Other "L" dimension available on request

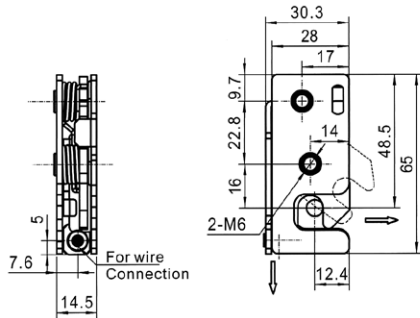


DESCRIPTION	L (mm)	PART NUMBER
Flat Rod	575	PI5331-01

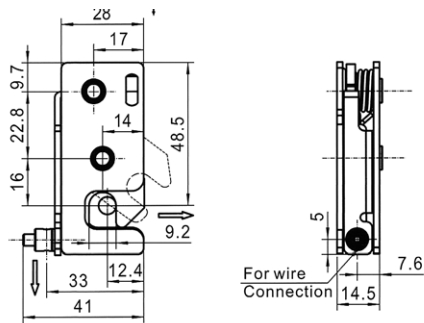
BURST LATCHES



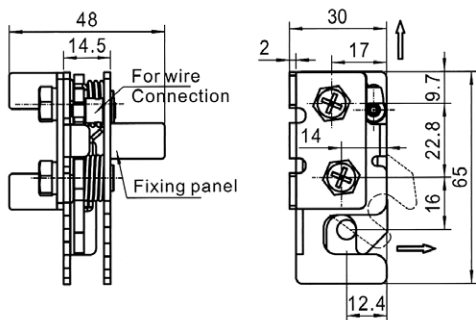
VERSION 1



VERSION 2



VERSION 3



VERSION 4



VERSION	PART NUMBER
1	DK618-1
2	DK618-2
3	DK618-3
4	DK618-4

ROD SLAM CATCH

FEATURES:

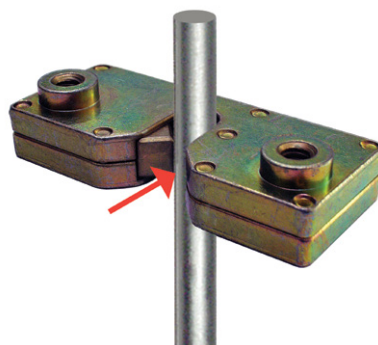
- Allows for slam action for rigid rods
- Can be used with standard handles
- High quality plating
- Suits 8 - 10mm round rods

DIMENSIONS:

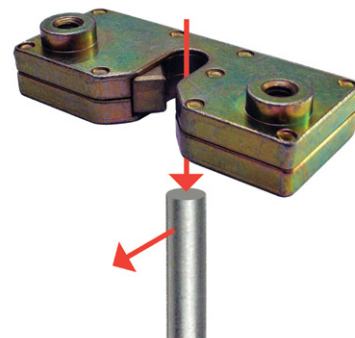
Length	76.2mm
Width	31.7mm
Height	17mm

MATERIAL & FINISH:

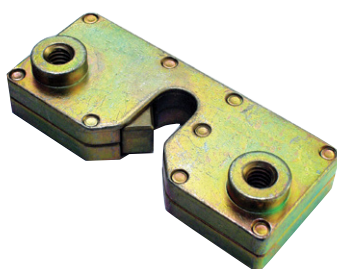
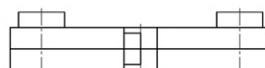
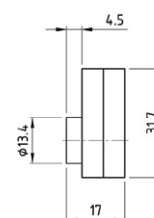
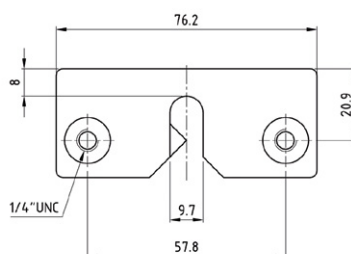
Material:	Zinc die cast
Finish:	Zinc plated



CLOSED



OPEN



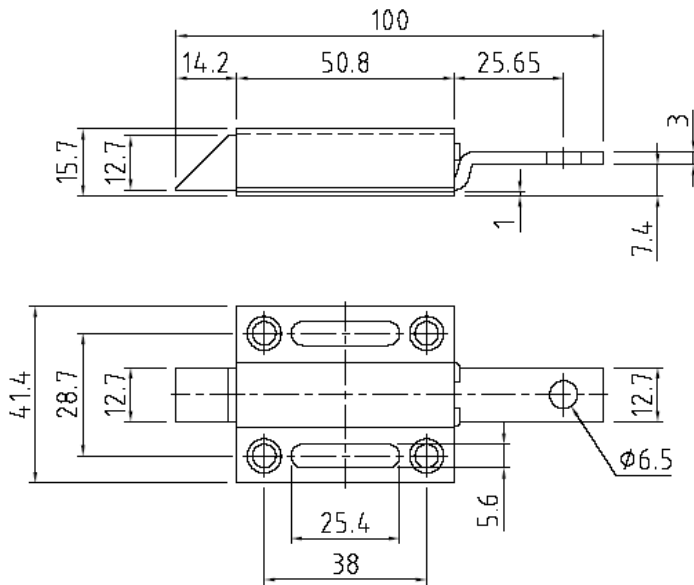
DESCRIPTION

PART NUMBER

Rod latch for round rods

2-563

SLAM CATCH



FEATURES:

- Allows for slam action of doors
- Can be used with standard handles
- High quality plating

DIMENSIONS:

Length	100 mm
Width	41.4 mm
Height	15.7 mm

MATERIAL & FINISH:

Material	Mild steel
Finish	Zinc plated



DESCRIPTION	PART NUMBER
Slam catch	95226

SLAM LATCH

FEATURES:

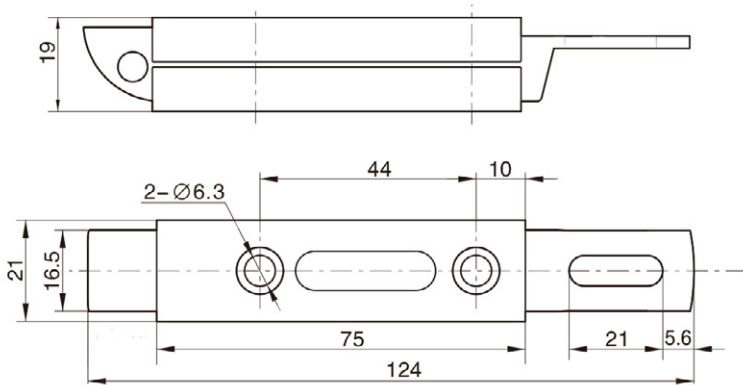
- Allows for slam action of doors
- Can be used with standard handles
- High quality plating

DIMENSIONS:

Length	124 mm
Width	21 mm
Height	19 mm

MATERIAL & FINISH:

Material	Zinc die cast
Finish	Zinc plated



DESCRIPTION	PART NUMBER
Slam latch	SEL-229-9001