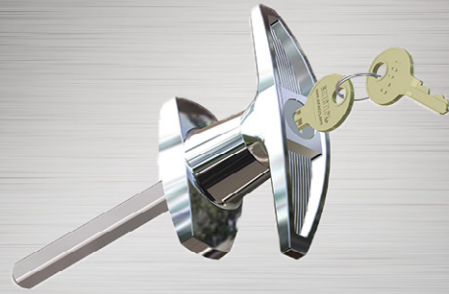


2



SECTION TWO

[2-1 PART NUMBER SYSTEM](#)

[2-2 HINGE POSITION](#)

[2-3 LOCKABLE T HANDLE](#)

[2-4 LOCKABLE L HANDLE](#)

[2-5 L HANDLE](#)

[2-6 PADLOCKABLE L HANDLE](#)

[2-7 PADLOCKABLE L HANDLE](#)

[2-8 T HANDLE](#)

[2-9 CANOPY T HANDLE](#)

[2-10 POP UP T HANDLE](#)

[2-11 POP T HANDLE](#)

[2-12 COMPRESSION T HANDLE](#)

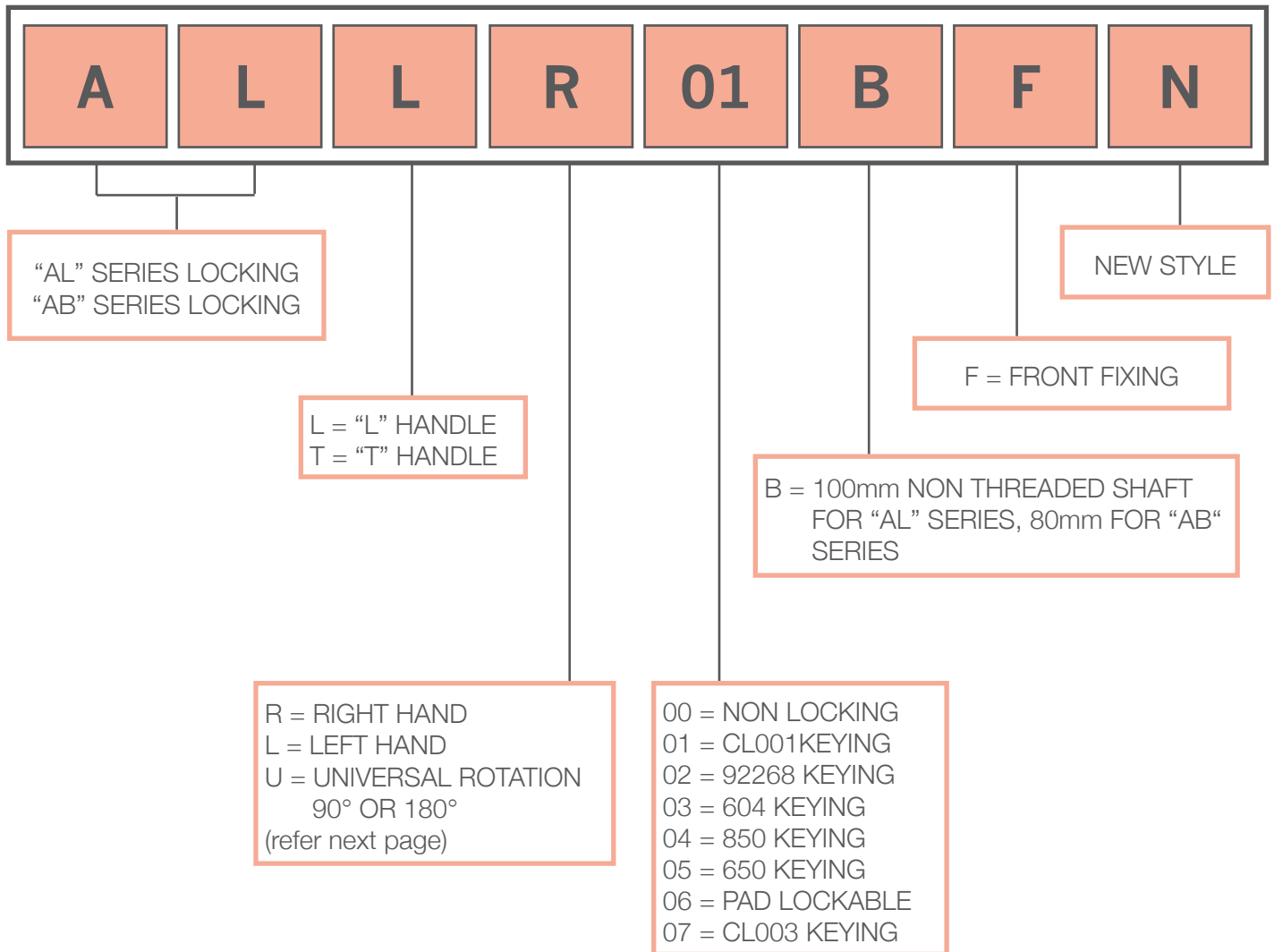
[2-13 COMPACT POP T HANDLE](#)

[2-14 COMPRESSION ACCESSORY](#)

[2-14 ADJUSTABLE CAM](#)

[2-15 INSTALLATION DIAGRAM](#)

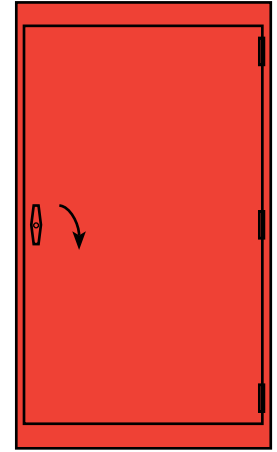
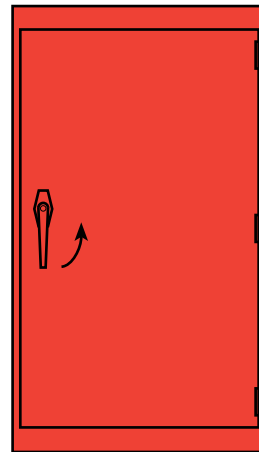
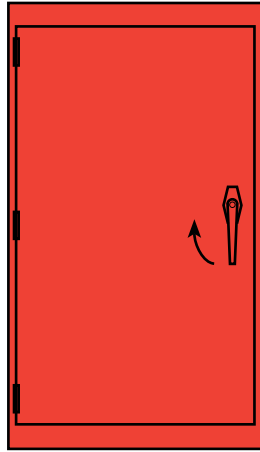
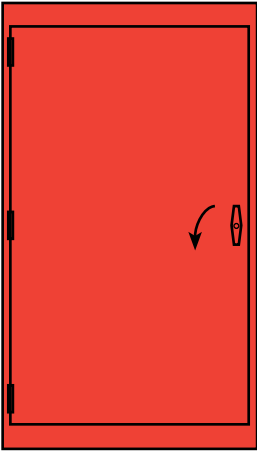
PART NUMBER SYSTEM



HINGE POSITION

Left Hand

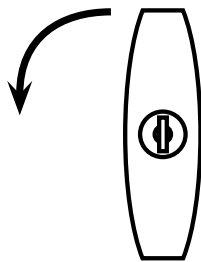
Right Hand



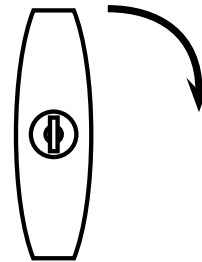
LH handles are used on cabinets hinged on the left

RH handles are used on cabinets hinged on the right

LH opens anti-clockwise

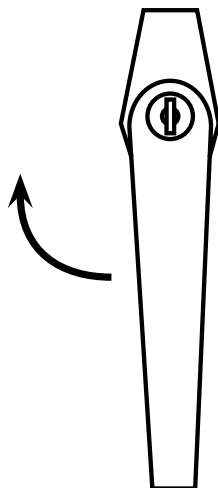


T Handles

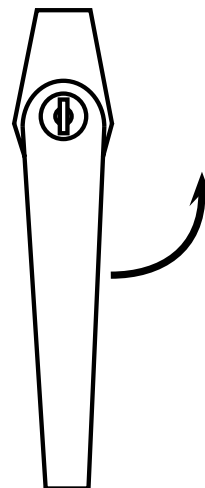


RH opens clockwise

LH opens clockwise



L Handles



RH opens anti-clockwise

LOCKABLE T HANDLE

FEATURES:

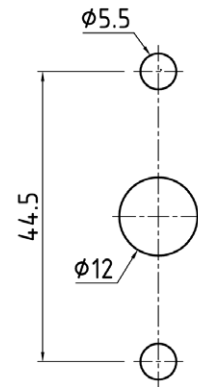
- Rear fixing
- Park position with “click”
- 90° or 180° rotation, LH or RH application
- Various key types available
- High quality chrome plating

MATERIAL & FINISH:

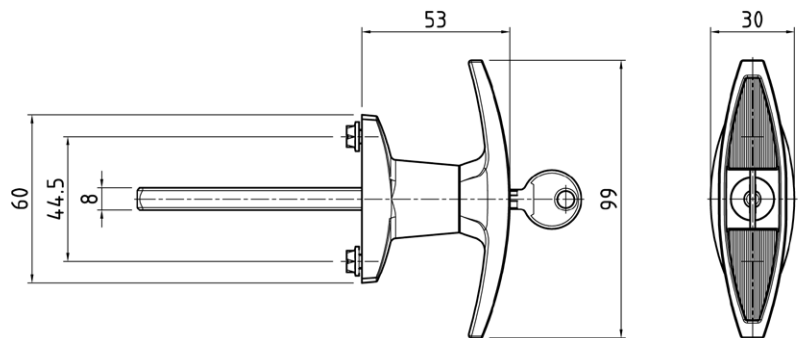
Handle	Zinc Die, Chrome Plated
Housing	Zinc Die, Chrome Plated
Shaft	Mild steel, Zinc Plated

STANDARD CAMS AVAILABLE:

- [1000-1586](#) Single point
- [1000-1587](#) 3 point with adapters
- [1000-1588](#) 3 point without adapters
- [1000-1592](#) Internal handle
- [P2535](#) Emergency internal handle
- [1000-1589-1200E](#) 2x rods + 3 point cam



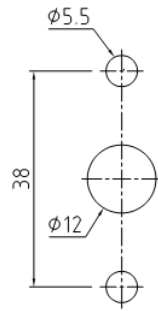
CUT-OUT



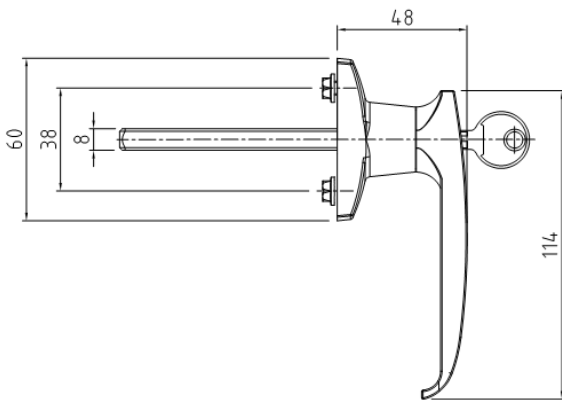
MOUNTING TYPE	KEY NUMBER	PART NUMBER
Non Locking		ABTU00B
Rear	CL001	ABTU01B
Rear	92268	ABTU02B
Rear	604	ABTU03B
Rear	CL003	ABTU07B

For front mount add “F” to end of part number

LOCKABLE L HANDLE



CUT-OUT



FEATURES:

- Rear fixing
- Park position with “click”
- 90° or 180° rotation, LH or RH application
- Various key types available
- High quality chrome plating

MATERIAL & FINISH:

Handle	Zinc Die, Chrome Plated
Housing	Zinc Die, Chrome Plated
Shaft	Mild Steel, Zinc Plated

STANDARD CAMS AVAILABLE:

- [1000-1586](#) Single point
- [1000-1587](#) 3 point with adapters
- [1000-1588](#) 3 point without adapters
- [1000-1592](#) Internal handle
- [P2535](#) Emergency internal handle
- [1000-1589-1200E](#) 2x rods + 3 point cam



KEY NUMBER	PART NUMBER
Non Locking	ABLU00B
CL001	ABLU01B
92268	ABLU02B
CL003	ABLU07B

L HANDLE



FEATURES:

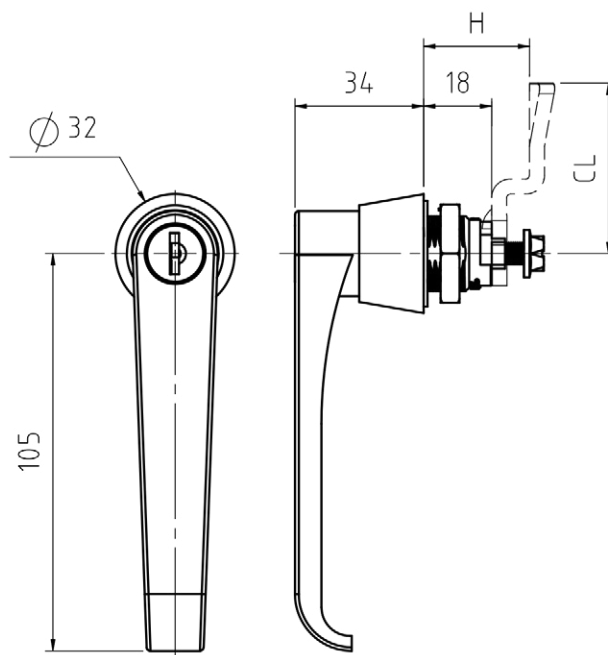
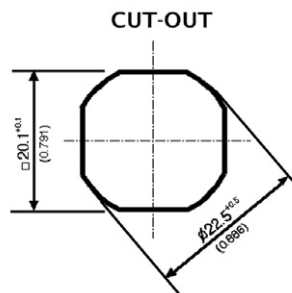
- RH or LH application
- 90° rotation
- Key locking and non locking option available
- IP65 rated

MATERIAL & FINISH:

Housing Zinc die, Chrome plated
 Nut Zinc die, Zinc plated
 Handle Zinc die, Chrome plated

CAMS AVAILABLE:

- Cams ordered separately
- Single point cam with various 'H' dimensions (refer to [page 1-16](#) when ordering)
- 3 point cams with various 'H' dimensions (refer to [page 3-7](#) when ordering)



KEY NUMBER

PART NUMBER

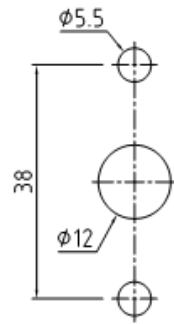
CL001

M111-1-1-CL001-00

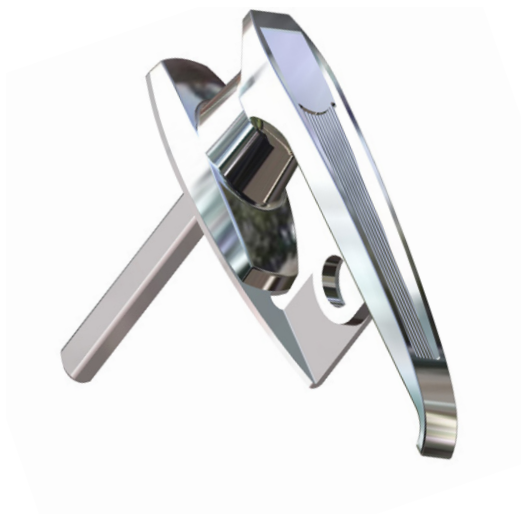
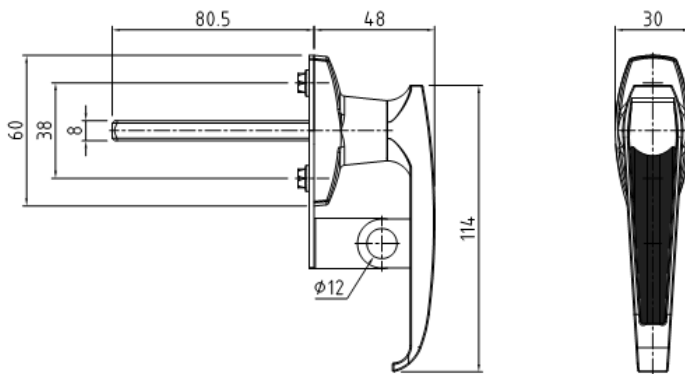
92268

M111-1-1-92268-00

PADLOCKABLE L HANDLE



CUT-OUT



Handle

FINISH	ROTATION	PART NUMBER
Chrome plated	LH / RH	ABLU06B

Brackets

MATERIAL	ROTATION	PART NUMBER
Mild steel	LH	PI5151-03
Mild steel	RH	PI5151-03-1
Stainless steel	LH	PI5151-03SS
Stainless steel	RH	PI5151-03-1SS

FEATURES:

- Rear fixing
- Park position with “click”
- 90° or 180° rotation, LH or RH application
- High quality chrome plating

MATERIAL & FINISH:

Handle	Zinc Die, Chrome Plated
Housing	Zinc Die, Chrome Plated
Shaft	Mild Steel, Zinc Plated

STANDARD CAMS AVAILABLE:

- [1000-1586](#) Single point
- [1000-1587](#) 3 point with adapters
- [1000-1588](#) 3 point without adapters
- [1000-1592](#) Internal handle
- [P2535](#) Emergency internal handle
- [1000-1589-1200E](#) 2x rods + 3 point cam

Handle & bracket sold separately



PADLOCKABLE L HANDLE

FEATURES:

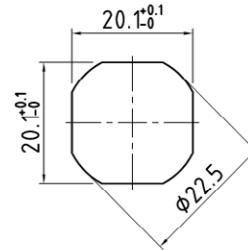
- Rear fixing, single hole mount
- IP65 rating
- 90° rotation, LH or RH application

MATERIAL & FINISH:

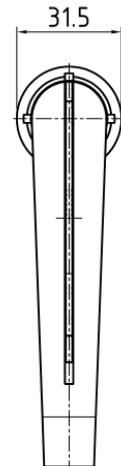
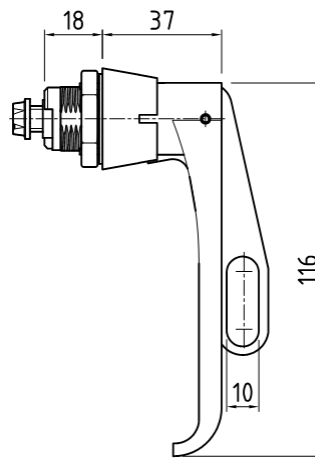
Handle Zinc Die, Chrome Plated
Housing Zinc Die, Chrome Plated
Padlock Hasp Stainless steel 316

CAMS AVAILABLE:

- Cams ordered separately
- Single point cam with various 'H' dimensions (refer to [page 1-16](#) when ordering)
- 3 point cams with various 'H' dimensions (refer to [page 3-7](#) when ordering)



CUTOUT



FINISH

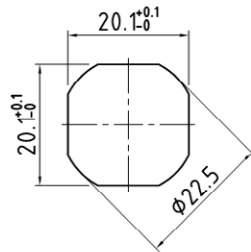
Chrome plated

PART NUMBER

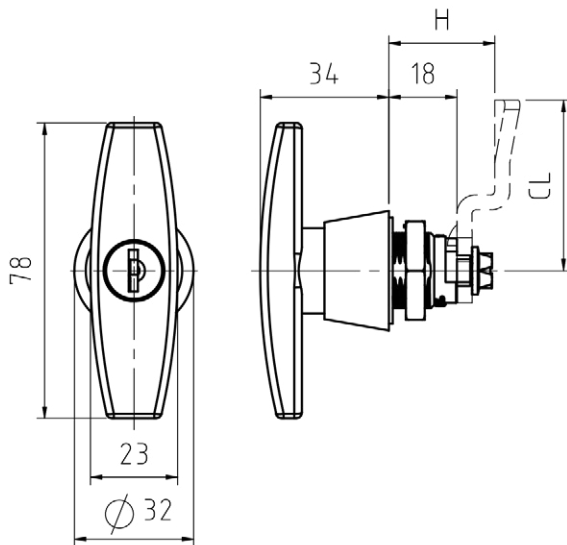
ALLU06A



T HANDLE



CUTOUT



FEATURES:

- RH or LH application
- 90° rotation
- Key locking and non locking option available
- IP65 rated

MATERIAL & FINISH:

Housing	Zinc die, Chrome plated
Nut	Zinc die, Zinc plated
Handle	Zinc die, Chrome plated

CAMS AVAILABLE:

- Cams ordered separately
- Single point cam with various 'H' dimensions (refer to [page 1-16](#) when ordering)
- 3 point cams with various 'H' dimensions (refer to [page 3-7](#) when ordering)



KEY NUMBER	PART NUMBER
CL001	M110-1-1-CL001-00
92668	M110-1-1-92268-00

CANOPY T HANDLE

FEATURES:

- Front or rear fixing
- Low profile for automotive use
- Various key combinations available
- Black powder coated finish

DIMENSIONS:

Shaft Length = 50 or 100mm
Square size = 8mm

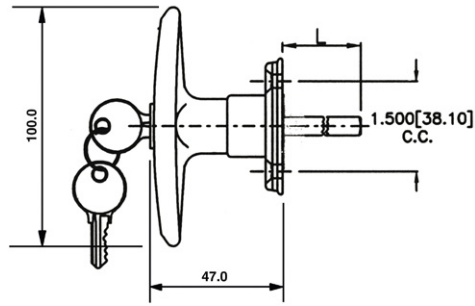
MATERIAL & FINISH:

Handle Zinc die, Black P.C
Base Zinc die, Black P.C
Shaft Mild steel, Zinc plated

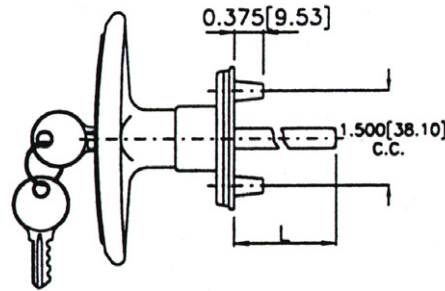
STANDARD CAMS AVAILABLE:

- [1000-1586](#) Single point
- [1000-1587](#) 3 point with adapters
- [1000-1588](#) 3 point without adapters
- [1000-1592](#) Internal handle
- [P2535](#) Emergency internal handle

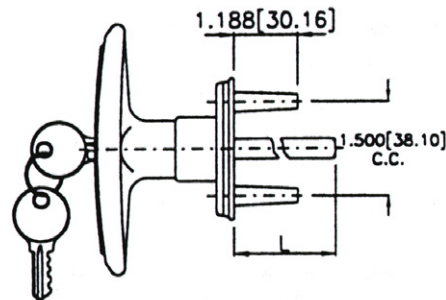
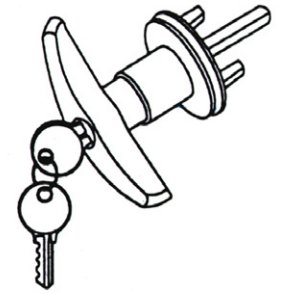
Suit 8x32 UNC THREAD



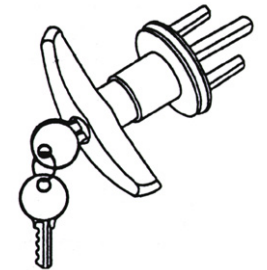
VERSION 1



VERSION 2

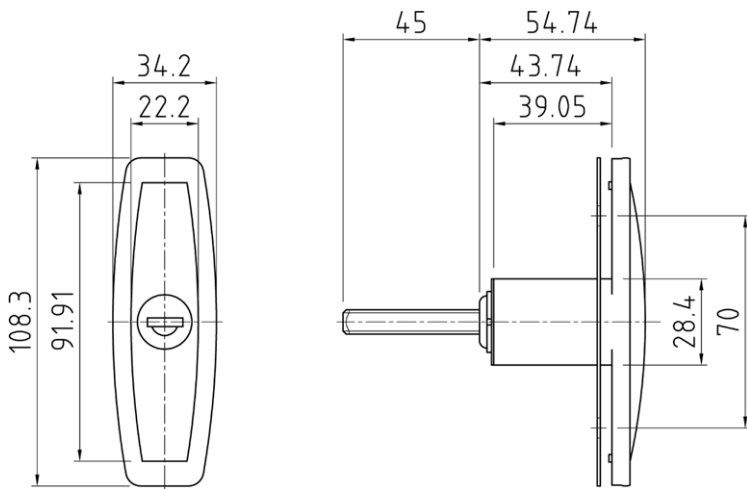


VERSION 3



VERSION	FIXING	SHAFT	PART NUMBER
1	Front	50mm	AL-T303L-RXXBF
1	Front	100mm	AL-T303L-RXXBF-100
2	Rear	50mm	AL-T307L-RXXB-1050
3	Rear	100mm	AL-T307L-RXXB-30100

POP UP T HANDLE



FEATURES:

- Pop-out T-handle and with anti-dust cover
- Black painted standard
- 5 disc tumbler mechanism
- Rotation angle 1800 cw
- 2 single bitted key with plastic cover & 1 rubber washer
- Available for 200 combinations

DIMENSIONS:

Shaft Length = 45mm
Square size = 8mm

MATERIAL & FINISH:

Zinc alloy die cast

STANDARD CAMS AVAILABLE:

- [1000-1586](#) Single point
- [1000-1587](#) 3 point with adapters
- [1000-1588](#) 3 point without adapters
- [1000-1592](#) Internal handle
- [P2535](#) Emergency internal handle



DESCRIPTION	PART NUMBER
Pop up T Handle	60026

POP T HANDLE

FEATURES:

- Flush mount
- Low profile for automotive use
- Various key combinations available
- Black powder coated finish
- Pop up action for easy operation

DIMENSIONS:

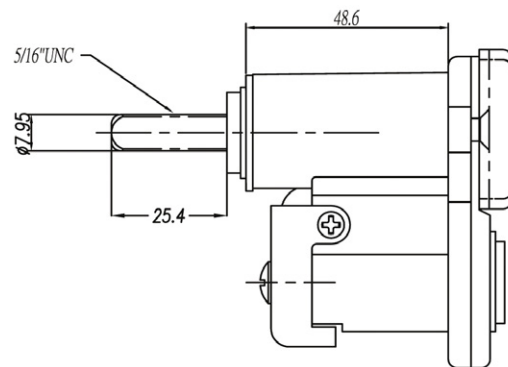
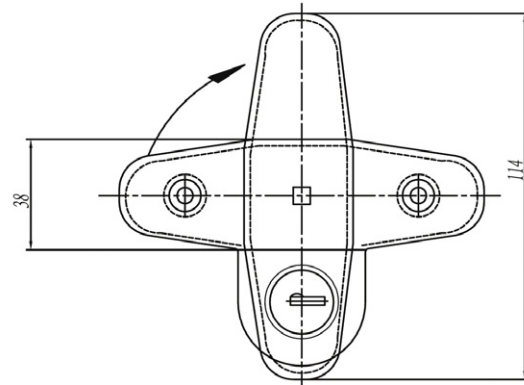
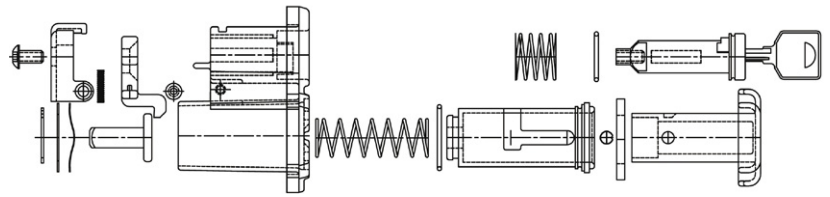
Shaft Length = 25mm
 Cross section = 8mm

MATERIAL & FINISH:

Handle Zinc die, Black Powder
 Coated
 Base Zinc die, Black Powder
 Coated
 Shaft Mild steel, Zinc plated

STANDARD CAM DIMENSIONS:

- [1000-1586](#) Single point
- [1000-1587](#) 3 point with adapters
- [1000-1588](#) 3 point without adapters



KEY CODE	DIRECTION TO OPEN	PART NUMBER
CF203	CCW	T302L-CF203
CF204	CCW	T302L-CF204
CF205	CCW	T302L-CF205
CF206	CCW	T302L-CF206
CF207	CCW	T302L-CF207

COMPRESSION T HANDLE

FEATURES:

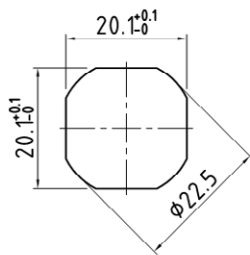
- Provides compression on closing
- Reduced fixing time
- Fully assembled
- Standard key - K28

MATERIAL & FINISH:

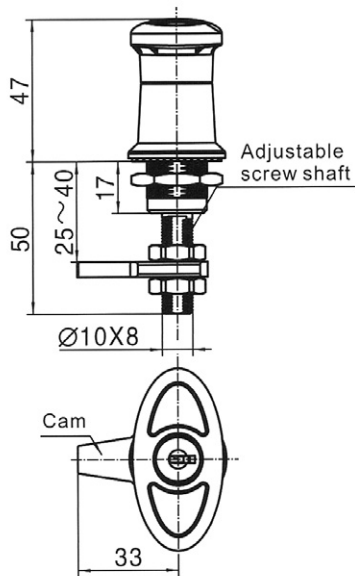
Housing	Zinc die, satin Chrome plated
Cam	Mild steel, Zinc plated

CAM DIMENSIONS:

- Standard flat cam included
- Single point cam with various 'H' dimensions available (refer to [page 1-16](#) when ordering)



CUTOUT



MS319-1A



KEY CODE	LENGTH (mm)	PART NUMBER
Keyed K28	50	MS319-1A

COMPACT POP T HANDLE

FEATURES:

- Compression action
- Front fixing
- Low profile for automotive use
- Various key combinations available
- Pop-up feature
- Can fit thick composite panel

KEYING:

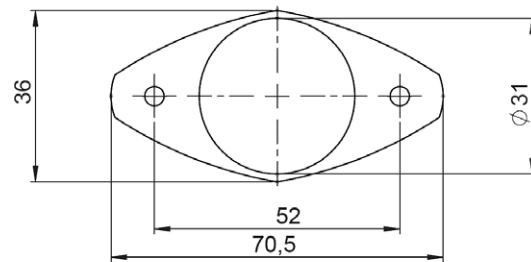
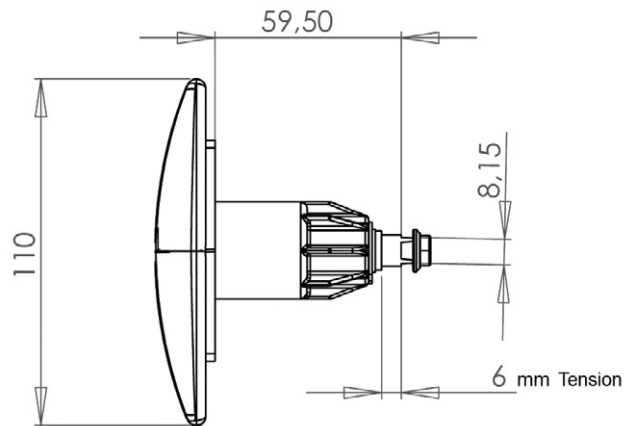
Barrel & key to be ordered separately.
Please refer to table below

MATERIAL & FINISH:

Handle Polyamide
Base Polyamide
Shaft Zinc die cast

CAMS AVAILABLE:

- Cams ordered separately
- Single point cam with various 'H' dimensions (refer to [page 1-16](#) when ordering)
- 3 point cams with various 'H' dimensions (refer to [page 3-7](#) when ordering)



VERSION	DESCRIPTION	PART NUMBER
1	Compression	2007-20S4-840

DESCRIPTION	PART NUMBER
Key Barrel	4309-Z000-8001
Key	4310-Z000-8001

COMPRESSION ACCESSORY

FEATURES:

- Rear fixing
- 6mm compression action on closing and opening
- Suit most of swing handle
- Suit most of quarter turn range
- Suit T handles and L handles

MATERIAL & FINISH:

Housing Black Polyamide
 Shaft Zinc die cast, Zinc plated

CAMS AVAILABLE:

- Single point cam with various 'H' dimensions
- [Adjustable cam \(required see page 2-14\)](#)

Patent/design registration applied for

ADJUSTABLE CAM

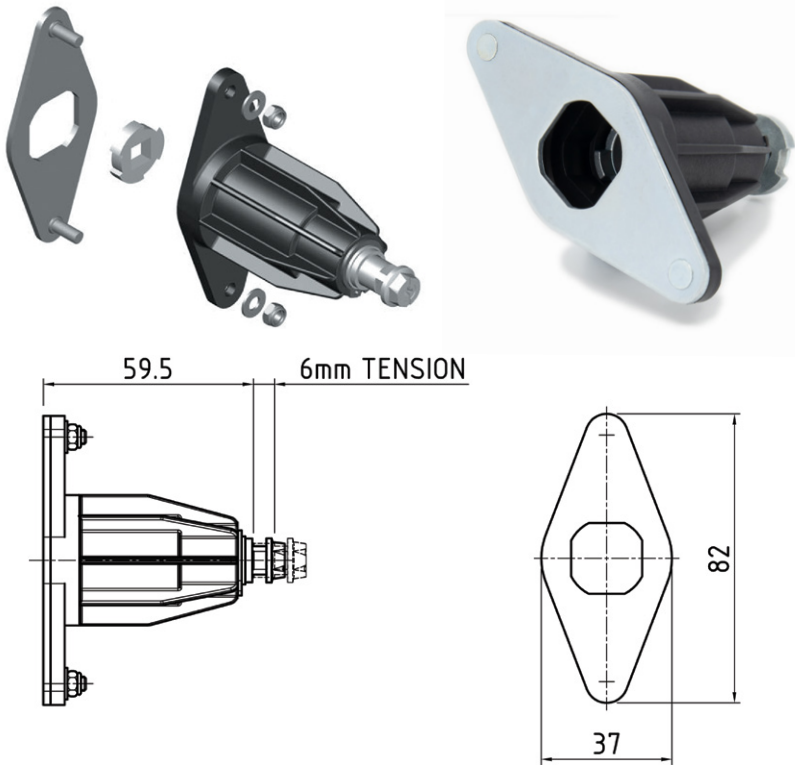
FEATURES:

- Adjustable range 'H' dimensions
- Ideally for use with [compression accessory](#)

MATERIAL & FINISH:

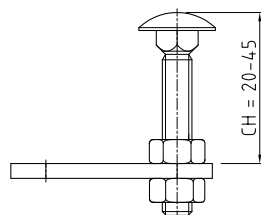
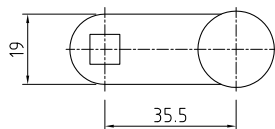
- Mild steel
- Zinc plated

* Stainless steel range, available on request



DESCRIPTION	PART NUMBER
Compression accessory	PI5124

* Please contact our sales staff for other options.



MATERIAL	PART NUMBER
Mild steel	PI5124-09

INSTALLATION DIAGRAM

