

1



SECTION ONE

[1-1 OVERVIEW](#)

[1-2 DRIVE OPTIONS](#)

[1-3 QUARTER TURN LATCH](#)

[1-4 SPRING LOADED CAM QUARTER TURN LATCH](#)

[1-5 KEY LOCKABLE QUARTER TURN](#)

[1-6 SEALABLE QUARTER TURN](#)

[1-7 COMPRESSION QUARTER TURN](#)

[1-8 WING KNOB QUARTER TURN](#)

[1-9 PADLOCKABLE WING KNOB](#)

[1-10 PADLOCKABLE WING KNOB](#)

[1-11 WING HANDLE](#)

[1-12 TEAR DROP QUARTER TURN](#)

[1-13 KNOB-ON LOCK](#)

[1-14 QUARTER TURN KEYS](#)

[1-15 CAMS](#)

[1-16 THUMB SCREWS](#)

[1-16 FINGER PULL](#)

OVERVIEW

HUNDREDS OF SOLUTIONS FOR ONE HOLE

With the **SELECTLOK®** range of modular quarter turns, the possibilities are endless. Mix and match housings, inserts and cams to create the ideal solution for your application. But if the choice is too great, just choose one of our standard configurations. We're sure there is one to suit.

FEATURES

- IP65 rated for weather-proof applications
- Reduced fixing time
- Fully assembled
- Multiple drive and cam options available
- Available in stainless steel

Zinc die cast/chrome plated

Zinc die cast/black EDP coated



Polyamide



Stainless steel



DRIVE OPTIONS

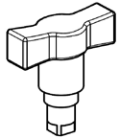
DRIVE OPTIONS FOR ALL APPLICATIONS

Choose from a variety of drive options and finishes to ensure that your application is suitably secured.

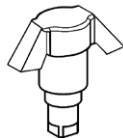
OPTIONS AVAILABLE

- Hand operated wing knobs, T handles and L handles
- Tool operated inserts for added security
- Tool operated with captive key
- Key lockable for higher security applications

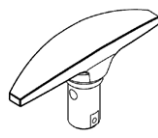
DRIVE OPTIONS



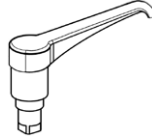
Wing knob



Wing handle



T handle



L handle



2x4 slotted



3mm double bit



5mm double bit



7mm square



7mm square/
slotted



8mm square



8mm square/
slotted



7mm triangle



8mm triangle



castle



key lockable

QUARTER TURN LATCH



FEATURES:

- IP65 rated
- Reduced fixing time
- Fully assembled
- Multiple drive options available (see table)

DIMENSIONS:

Housing Length = 18mm
Escutcheon = 28mm

Housing Length = 18mm
Escutcheon = 32mm

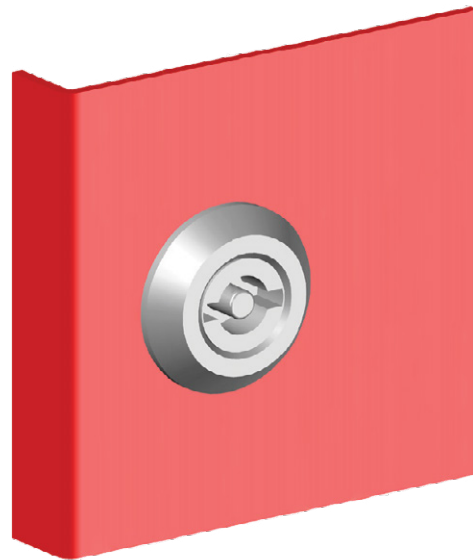
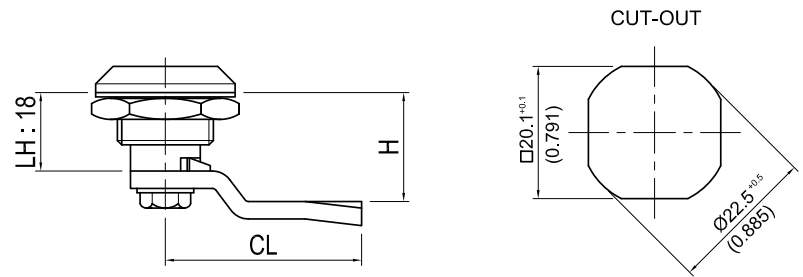
MATERIAL & FINISH:

Housing Zinc die
Insert Zinc die
Finish Chrome

CAM DIMENSIONS:

Cam ordered separately
Refer to [page 1-16](#) when ordering

Finger pull polyamide to be ordered separately (Part No. [PI5539-07](#))



Convert to compression style with [PI5124](#) ([page 2-14](#))

DRIVE STYLE	ESCUTCHEON	PART NUMBER
7mm Square	28mm	QIS118-7-28-26
8mm Square	28mm	QIS118-8-28-26
7mm Triangle	28mm	QIT118-7-28-26
8mm Triangle	28mm	QIT118-8-28-26
3mm Double bit	28mm	QID118-3-28-26
5mm Double bit	28mm	QID118-5-28-26
8mm Square slotted	28mm	QIS118-8S-28-26
Screwdriver slot (2x4)	28mm	QIG118-2x4-28-26
7mm Square	32mm	QIS118-7-32
8mm Square	32mm	QIS118-8-32
7mm Triangle	32mm	QIT118-7-32
8mm Triangle	32mm	QIT118-8-32
5mm Double bit	32mm	QID118-5-32
Screwdriver slot (2x4)	32mm	QIG118-2x4-32

QUARTER TURN LATCH



FEATURES:

- IP65 rated
- Stainless Steel 316
- Machined or cast
- Reduced fixing time
- Fully assembled
- Multiple drive options available (on request)

DIMENSIONS:

Housing Length = 18mm
Escutcheon = 28mm

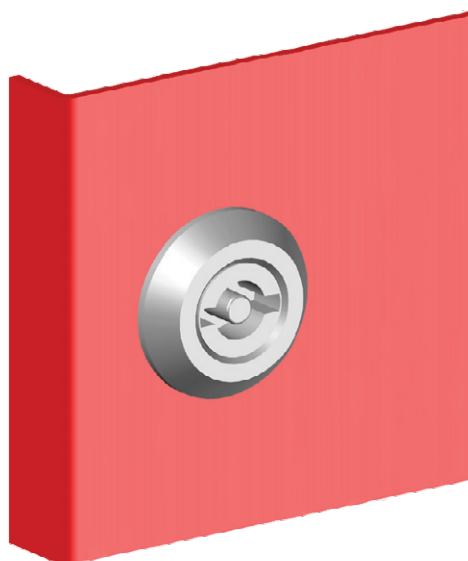
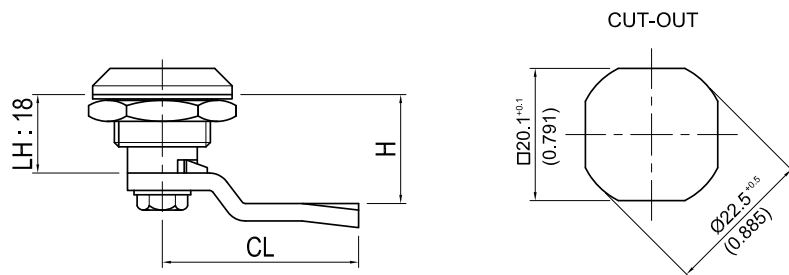
MATERIAL & FINISH:

Housing Stainless Steel 316
Insert Stainless Steel 316
Finish Brushed

CAM DIMENSIONS:

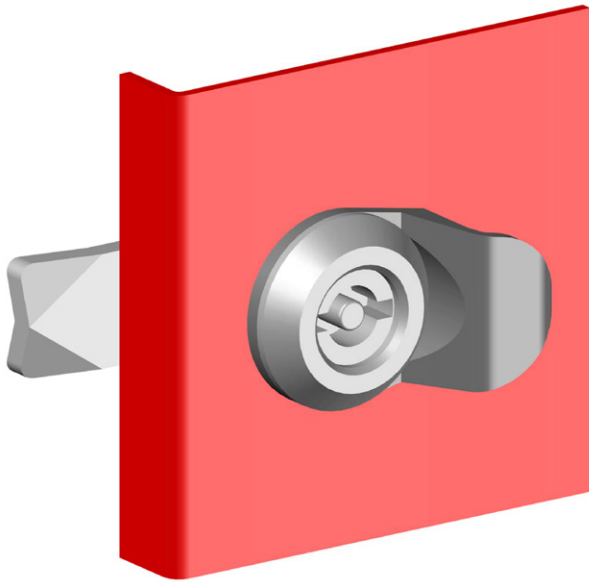
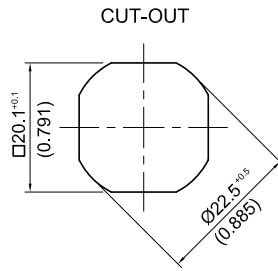
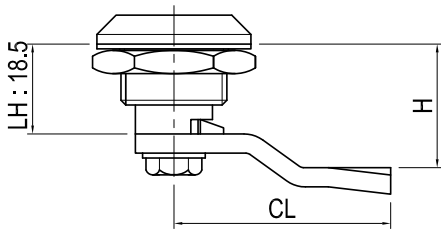
Refer to [page 1-16](#) when ordering

Finger pull polyamide to be ordered separately (Part No. [PI5539-07](#))



Convert to compression style with [PI5124](#) ([page 2-14](#))

DRIVE STYLE	ESCUTCHEON	PART NUMBER
8mm Square	28mm	QIS118-8-28-26-SS-M
8mm Square	28mm	QIS118-8-28-26-SS-C



SPRING LOADED CAM QUARTER TURN LATCH

FEATURES:

- IP65 rated
- Reduced fixing time
- Fully assembled
- Multiple drive options available (see table)
- Anti vibration
- Spring loaded CAM provides vibration resistance

DIMENSIONS:

Housing Length = 18.5mm
Escutcheon = 32mm

MATERIAL & FINISH:

Housing Zinc die
Insert Zinc die
Finish Chrome

CAM DIMENSIONS:

Cam ordered separately
Refer to [page 1-16](#) when ordering

Finger pull polyamide to be ordered separately (Part No. [PI5539-07](#))

Convert to compression style with [PI5124](#) (page 2-14)

DRIVE STYLE	ESCUTCHEON	PART NUMBER
7 mm Square	32mm	SQ118-7-32
8 mm Square	32mm	SQ118-8-32
8 mm Square with slot	32mm	SQ118-8S-32
7 mm Triangle	32mm	TL118-7-32
8 mm Triangle	32mm	TL118-8-32
3mm Double bit	32mm	CL118-3-32
5mm Double bit	32mm	CL118-5-32
Screwdriver slot (2x4)	32mm	SL118-32



KEYLOCKABLE QUARTER TURN

FEATURES:

- Reduced installation time
- Fully assembled
- Multiple key options available (see table)

DIMENSIONS:

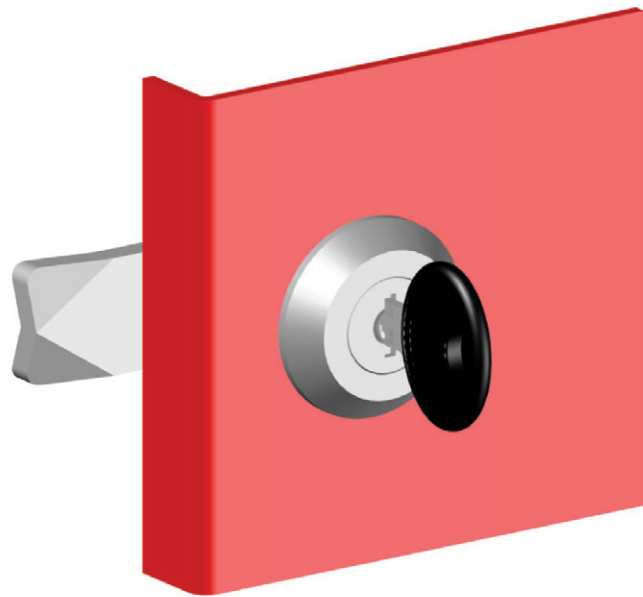
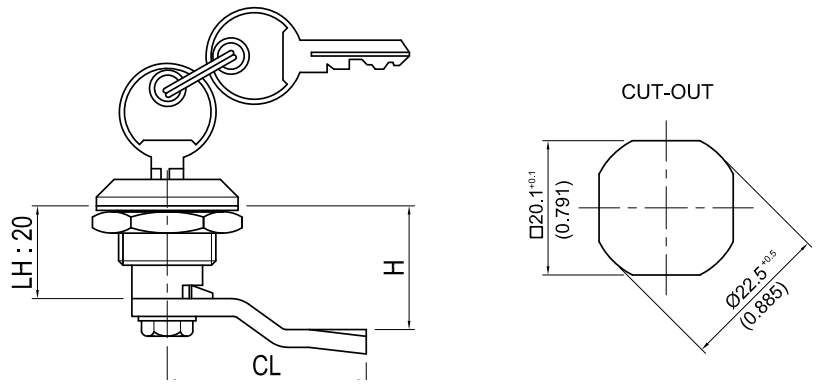
Housing Length = 20mm
Escutcheon = 32mm

MATERIAL & FINISH:

Housing Zinc die, Chrome plated
Insert Zinc die, Chrome plated
Cam Mild steel, Zinc plated

CAM DIMENSIONS:

Cam ordered separately
Refer to [page 1-16](#) when ordering

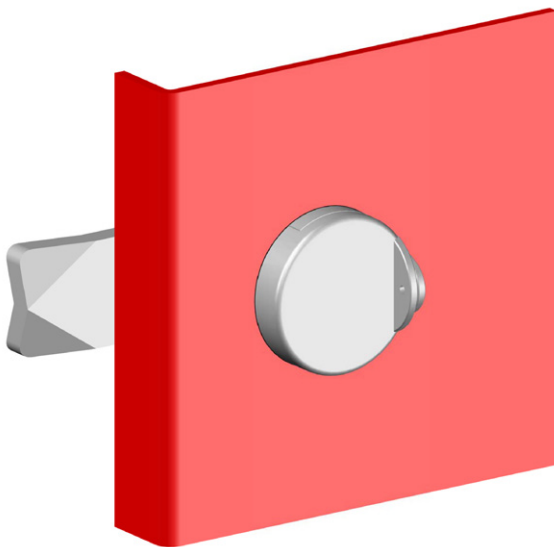
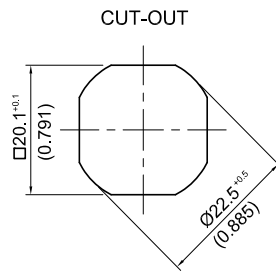
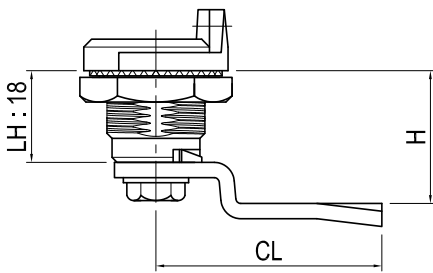


Convert to compression style with [PI5124 \(page 2-14\)](#)

KEY CODE	PART NUMBER
92268	M063-1-1-92268-00-1
1333	M063-1-1-05-00-1
CL001	M063-1-1-CL001-00-1



SEALABLE QUARTER TURN



FEATURES:

- IP65 rated
- Reduced installation time
- Fully assembled
- Multiple key options available (see table)

DIMENSIONS:

Housing Length = 18mm
Escutcheon = 29mm

MATERIAL & FINISH:

Housing Zinc die, Chrome plated
Insert Zinc die, Chrome plated
Cam Mild steel, Zinc plated

CAM DIMENSIONS:

Cam ordered separately
Refer to [page 1-16](#) when ordering



Convert to compression style with [PI5124 \(page 2-14\)](#)

DRIVE STYLE	PART NUMBER
8mm Square	MS705-3A-4
8mm Square with slot	MS705-3A-4A
Screwdriver slot (2x4)	MS705-3A-8

COMPRESSION QUARTER TURN



FEATURES:

- IP65 rated
- Reduced installation time
- Fully assembled
- 7mm Compression action on closing

DIMENSIONS:

Housing Length = 31mm
Escutcheon = 28mm

MATERIAL & FINISH:

Housing Zinc die, black powder coated
Insert Zinc die, black powder coated
Cam Mild steel, Zinc plated

CAM DIMENSIONS:

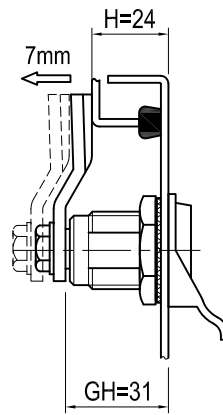
Included cams:

MS816-1 H = 24mm Length= 45mm

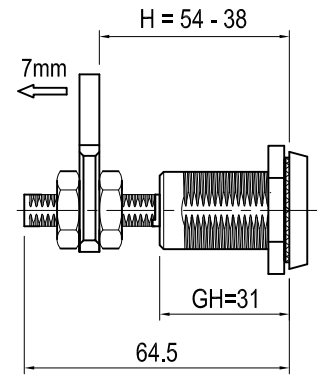
MS816-1A Adjustable H dimension
Length= 33mm

XCAM variation available on request
Refer to [page 1-16](#) when ordering

Finger pull polyamide to be ordered separately ([Part No. PI5339-07](#))

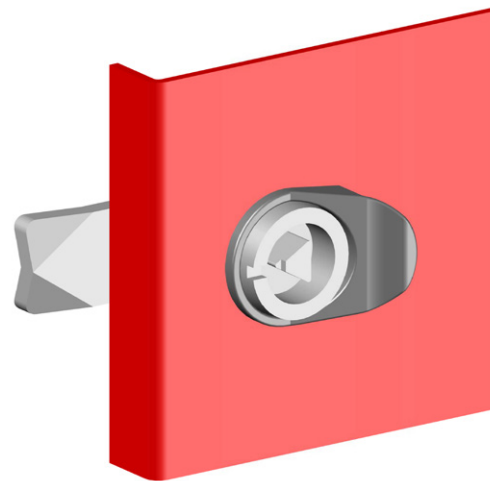
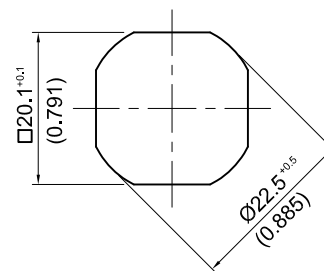


MS816-1



MS816-1A

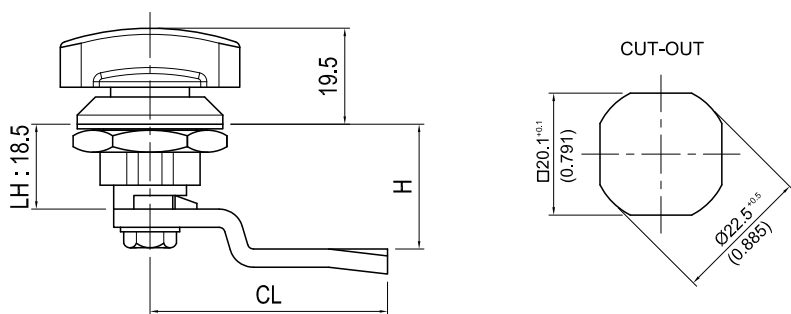
CUT-OUT



DRIVE STYLE	STANDARD	ADJUSTABLE
8mm Square	MS816-1-5	MS816-1A-5



WING KNOB QUARTER TURN



FEATURES:

- IP65 rated
- Reduced installation time
- Fully assembled
- Multiple inserts available (see table)

DIMENSIONS:

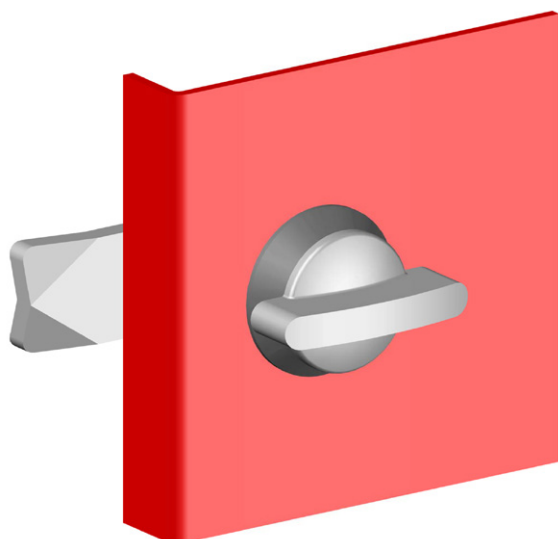
Housing Length = 18.5mm
Escutcheon = 32mm

MATERIAL & FINISH:

Housing Zinc die, Chrome plated
Insert Zinc die or polyamide
Cam Mild steel, Zinc plated

CAM DIMENSIONS:

Cam ordered separately
Refer to [page 1-16](#) when ordering



Convert to compression style with [PI5124 \(page 2-14\)](#)

KNOB MATERIAL	PART NUMBER
Zinc die, Chrome plated	M362-1-1-36-1
Zinc die, Black powder coated	M362-11-12-36-1
Polyamide	M362-11-20-36-1



PADLOCKABLE WING KNOB



FEATURES:

- Reduced installation time
- Fully assembled
- Suit up to 6mm pad lock

DIMENSIONS:

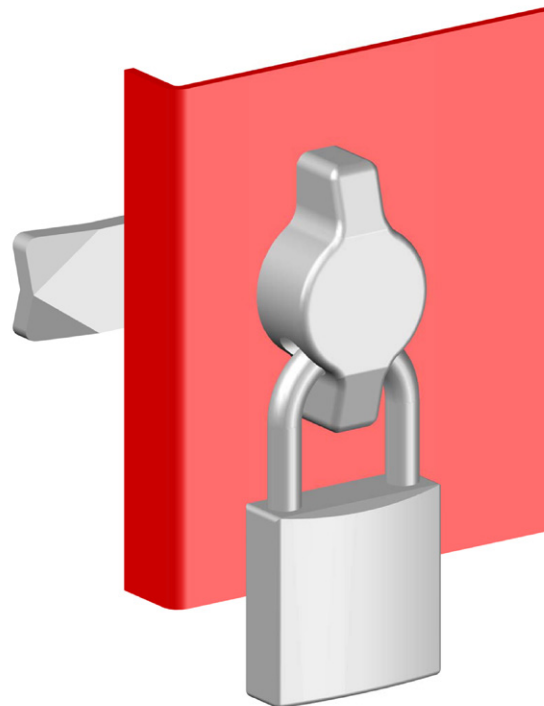
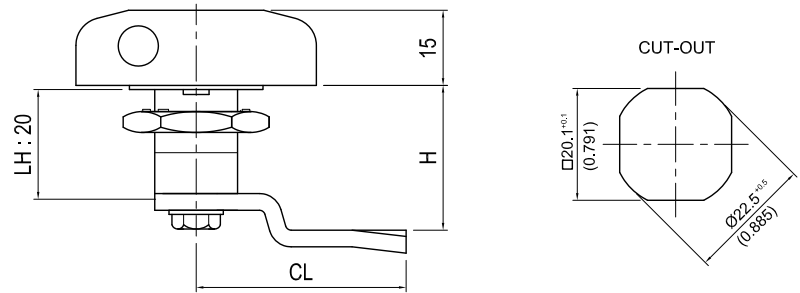
Housing Length = 20mm

MATERIAL & FINISH:

Housing Zinc die, Chrome plated
 Insert Zinc die, Chrome plated
 Cam Mild steel, Zinc plated

CAM DIMENSIONS:

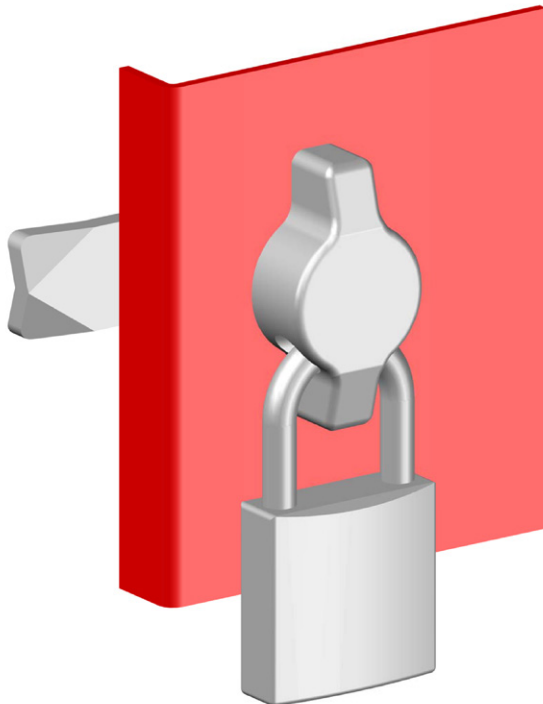
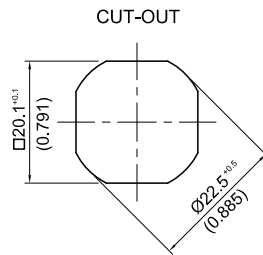
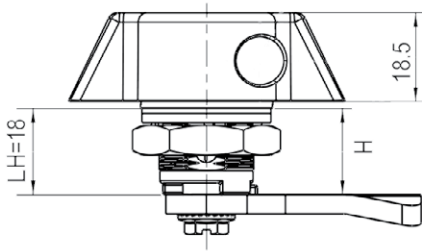
Standard cam included H=26mm
 Other variations available on request
 Refer to [page 1-16](#) when ordering



Convert to compression style with [PI5124 \(page 2-14\)](#)

MATERIAL/FINISH	HANDEDNESS	PART NUMBER
Zinc die, Chrome plated	Right hand	M262-1-36-001
Zinc die, Chrome plated	Left hand	M262-1-36-002

PADLOCKABLE WING KNOB



FEATURES:

- Reduced installation time
- Fully assembled
- Suit up to 6mm pad lock

DIMENSIONS:

Housing Length = 18mm

MATERIAL & FINISH:

Housing Zinc die, Chrome plated
 Insert Zinc die, Black EDP
 Cam Mild steel, Zinc plated

CAM DIMENSIONS:

Standard cam included H=26mm
 Other variations available on request
 Refer to [page 1-16](#) when ordering



Convert to compression style with [PI5124 \(page 2-14\)](#)

MATERIAL/FINISH	PART NUMBER
Zinc die, Black EDP	ALWU06A-BLK



WING HANDLE

FEATURES:

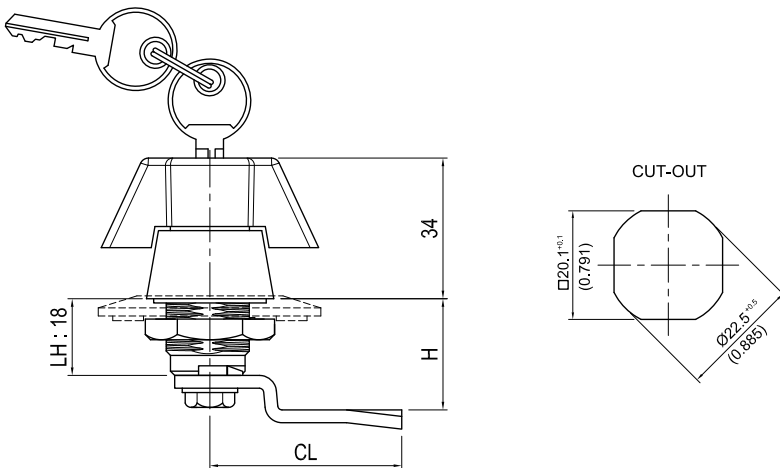
- RH or LH application
- 90° rotation
- Key locking and non locking option available
- IP65 rated

MATERIAL & FINISH:

Housing	Zinc die, Chrome plated
Nut	Zinc die, Zinc plated
Handle	Zinc die, Chrome plated

CAM DIMENSIONS:

Cam ordered separately
Refer to [page 1-16](#) when ordering



KEY NUMBER	PART NUMBER
CL001	ALWU01A
92268	ALWU02A

TEAR DROP QUARTER TURN

FEATURES:

- IP65 Rated
- Reduced fixing time
- Fully Assembled
- Detent for positive latching

DIMENSIONS:

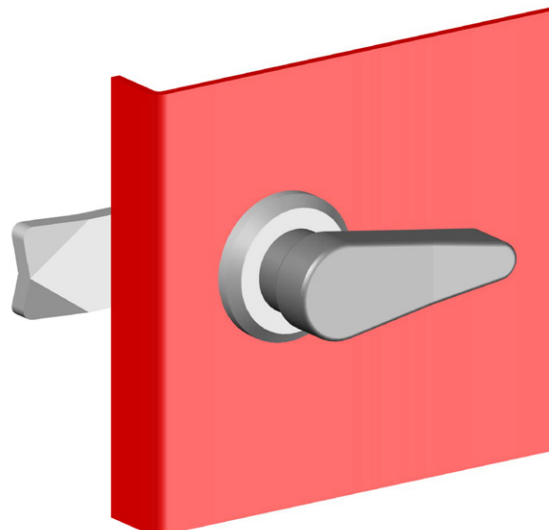
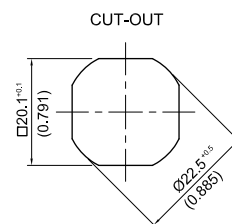
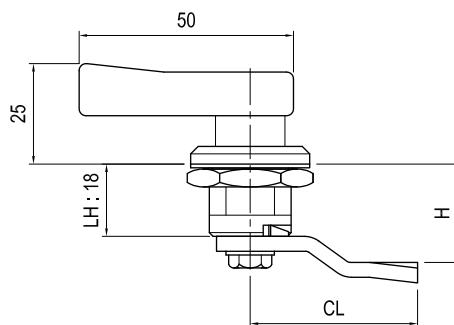
Housing Length = 18mm
Escutcheon = 28mm

MATERIAL & FINISH:

Housing Zinc die, Chrome plated
Insert Polyamide
Cam Mild steel, Zinc plated

CAM DIMENSIONS:

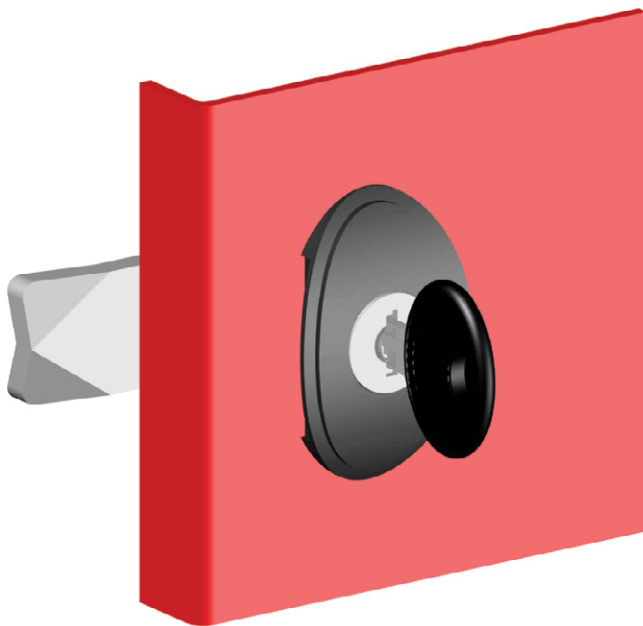
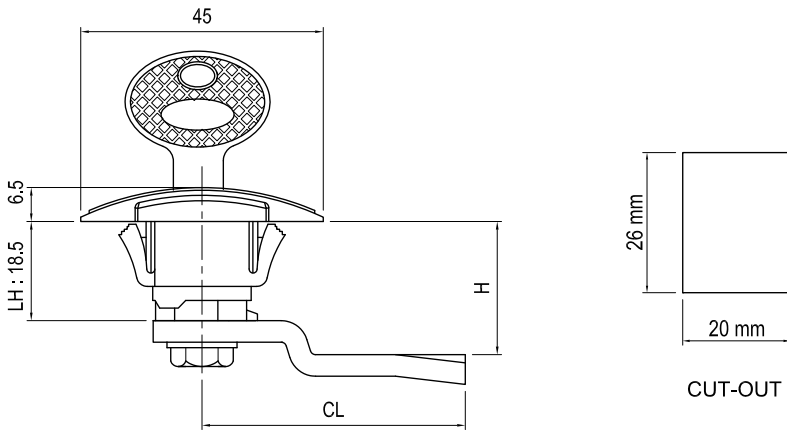
Standard cam included H=26mm
Other variations available on request
Refer to [page 1-16](#) when ordering



Convert to compression style with [PI5124](#) (page 2-14)

HOUSING DESCRIPTION	PART NUMBER
Zinc die cast with 28mm escutcheon	TL818
Zinc die cast with 32mm escutcheon	TL818-32

KNOB-ON LOCK



FEATURES:

- Clip-in fixing for easy assembly
- Reduced installation time
- Inbuilt finger pull
- Multiple key combinations available (see table)
- To suit panel thickness 0.8-1.8mm

DIMENSIONS:

Housing Length = 18.5mm

MATERIAL & FINISH:

Housing Polyamide
Barrel Zinc die cast
Cam Mild steel, Zinc plated

CAM DIMENSIONS:

Cam ordered separately
Refer to [page 1-16](#) when ordering



KEY CODE	PART NUMBER
92268	M261-2-0-92268-00
CL001	M261-2-0-CL001-00

QUARTER TURN KEYS

MATERIAL & FINISH:

- Zinc die cast
- Zinc plated



3mm Double Bit
CL-3-KEY



5mm Double Bit
CL-5-KEY



7mm Square
SQ-7-KEY



8mm Square
SQ-8-KEY



7mm Triangle
TL-7-KEY



8mm Triangle
TL-8-KEY



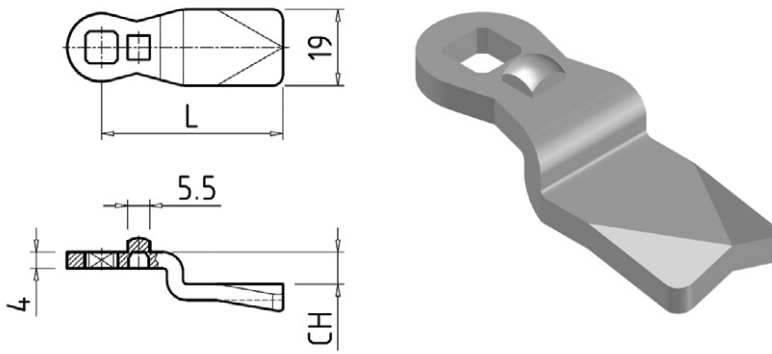
STYLE	PART NUMBER
3mm Double Bit	CL-3-KEY
5mm Double Bit	CL-5-KEY
7mm Square	SQ-7-KEY
8mm Square	SQ-8-KEY
7mm Triangle	TL-7-KEY
8mm Triangle	TL-8-KEY

CAMS

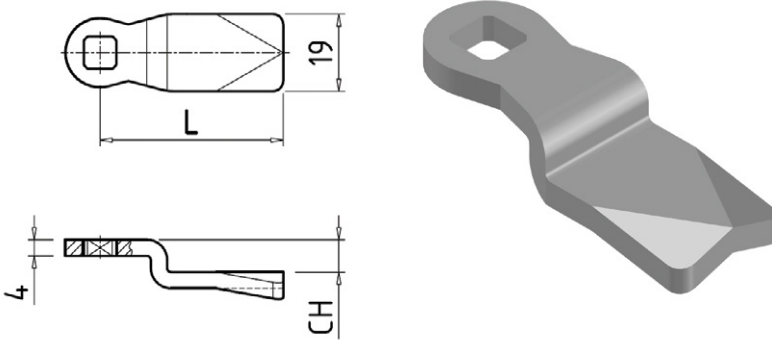
MATERIAL & FINISH:

- Mild steel
- Zinc plated
- 4mm material thickness

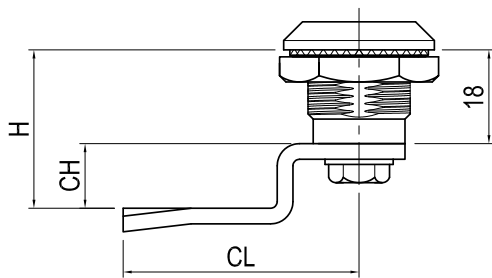
* Stainless steel range, available on request



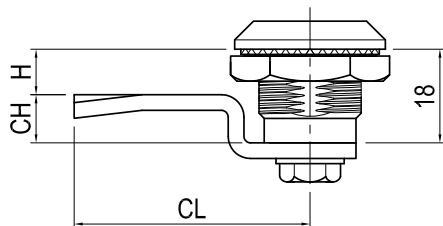
Cam with stopper



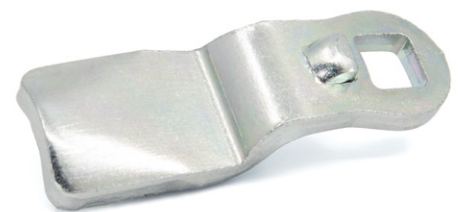
Cam without stopper



$$H = 18 + CH$$



$$H = 18 - CH$$



LENGTH	STYLE	PART NUMBER
L = 45	Stopper	MCAM-H
L = 45	No Stopper	XCAM-H
L ≠ 45	Stopper	MCAM-H-L
L ≠ 45	No Stopper	XCAM-H-L

THUMB SCREWS

FEATURES:

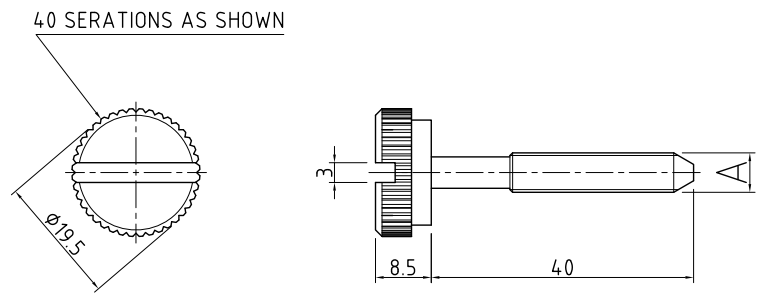
- Knurled head
- 3 x 3mm screw driver slot
- Retaining O-ring available on request

MATERIAL & FINISH:

Mild steel - nickel chrome plated

RETAINING O-RING:

Part No: O-RING#201(For 40 x 6) /
O-RING#202 (For 40 x 8)



THREAD "A"	LENGTH	PART NUMBER
M6	30mm	LNL30X6
M6	35mm	LNL35X6
M6	40mm	LNL40X6
M6	50mm	LNL50X6
M8	40mm	LNL40X8
M6	50mm	Locating Pin

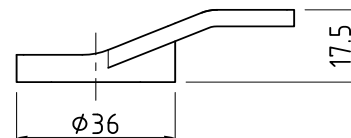
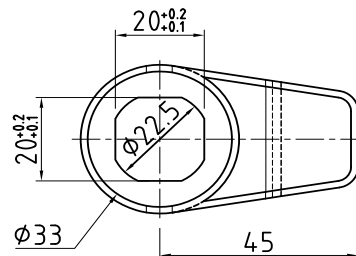
FINGER PULL

FEATURES:

- Black polyamide handle pull

MATERIAL & FINISH:

Black polyamide



MATERIAL	PART NUMBER
Black polyamide	PI5339-07

* Ask us about placing your company logo (minimum order 1000 pcs).