

15

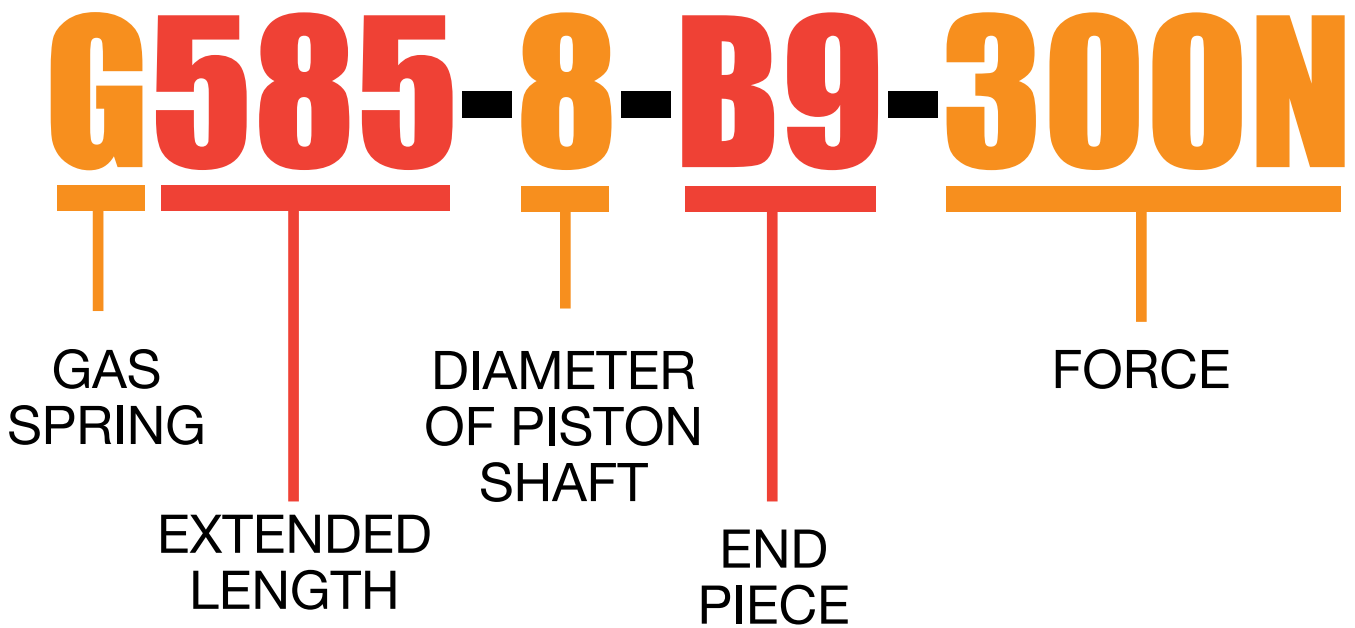


SECTION FIFTEEN

- [15-1 PART NUMBER SYSTEM](#)
- [15-2 Ø6MM STRUTS](#)
- [15-3 Ø8MM STRUTS](#)
- [15-4 Ø10MM STRUTS](#)
- [15-5 Ø12MM STRUTS](#)
- [15-6 SP SERIES STRUTS](#)
- [15-7 STAINLESS STEEL Ø8MM STRUTS](#)
- [15-8 STRUT BRACKETS](#)
- [15-11 BALL STUDS](#)
- [15-12 STRUT CONNECTORS](#)
- [15-15 BALL SOCKET WITH CIRLIPS](#)
- [15-17 EYELETS](#)

PART NUMBER SYSTEM

New Gas Spring Part Number Explanation Sheet



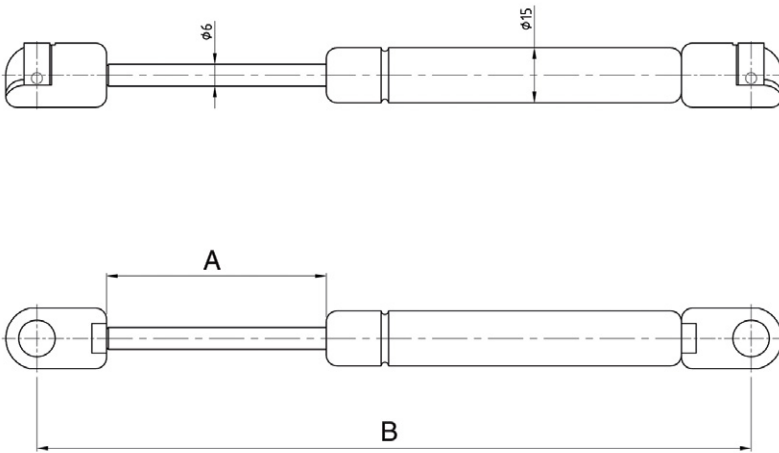
Ø6MM PISTON SHAFT

FEATURES:

- QPQ coating on shaft
- Plastic quick-fit ends

PISTON ROD & CYLINDER DIMENSIONS:

- ø6mm piston rod
- ø15mm cylinder



STROKE LENGTH ('A' in mm)	EXTENDED LENGTH ('B' in mm)	FORCE RANGE (in N)	PART NUMBER
60	195	50-400	G195-6-B9-###N
115	315	50-400	G315-6-B9-###N

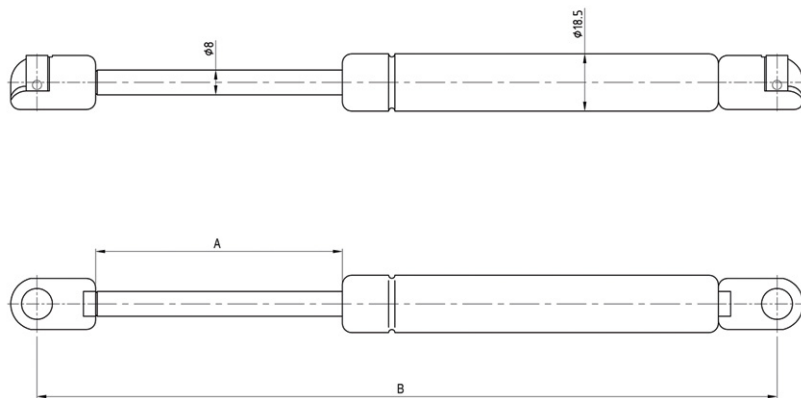
Ø8MM PISTON SHAFT

FEATURES:

- QPQ coating on shaft
- Plastic quick-fit ends

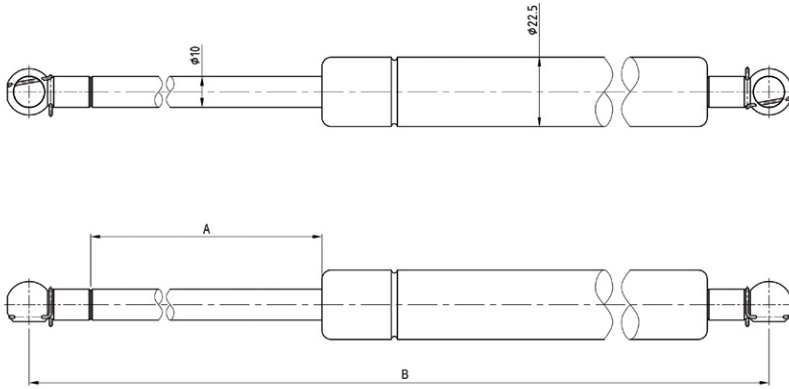
PISTON ROD & CYLINDER DIMENSIONS:

- ø8mm piston rod
- ø18mm cylinder



STROKE LENGTH ('A' in mm)	EXTENDED LENGTH ('B' in mm)	FORCE RANGE (in N)	PART NUMBER
60	195	100-700	G195-8-B9-###N
60	220	100-700	G220-8-B9-###N
60	230	100-700	G230-8-B9-###N
80	240	100-700	G240-8-B9-###N
90	260	100-700	G260-8-B9-###N
105	290	100-700	G290-8-B9-###N
115	310	100-700	G310-8-B9-###N
115	315	100-700	G315-8-B9-###N
125	330	100-700	G330-8-B9-###N
135	350	100-700	G350-8-B9-###N
145	375	100-700	G375-8-B9-###N
160	410	100-700	G410-8-B9-###N
170	420	100-700	G420-8-B9-###N
170	430	100-700	G430-8-B9-###N
185	450	100-700	G450-8-B9-###N
200	485	100-700	G485-8-B9-###N
210	500	100-700	G500-8-B9-###N
210	505	100-700	G505-8-B9-###N
220	525	100-700	G525-8-B9-###N
230	540	100-700	G540-8-B9-###N
235	550	100-700	G550-8-B9-###N
230	560	100-700	G560-8-B9-###N
240	575	100-700	G575-8-B9-###N
250	585	100-700	G585-8-B9-###N
255	590	100-700	G590-8-B9-###N
260	610	100-700	G610-8-B9-###N
275	630	100-700	G630-8-B9-###N
305	700	100-700	G700-8-B9-###N

Ø10MM PISTON SHAFT



FEATURES:

- QPQ coating on shaft
- Steel ends

PISTON ROD & CYLINDER DIMENSIONS:

- ø10mm piston rod
- ø22.5mm cylinder



STROKE LENGTH ('A' in mm)	EXTENDED LENGTH ('B' in mm)	FORCE RANGE (in N)	PART NUMBER
185	450	100-1100	G450-10-C9A-###N
210	500	100-1100	G500-10-C9A-###N
210	540	100-1100	G540-10-C9A-###N
250	600	100-1100	G600-10-C9A-###N
285	650	100-1100	G650-10-C9A-###N
295	670	100-1100	G670-10-C9A-###N
290	700	100-1100	G700-10-C9A-###N
325	750	100-1100	G750-10-C9A-###N
360	830	100-1100	G830-10-C9A-###N
405	900	100-1100	G900-10-C9A-###N

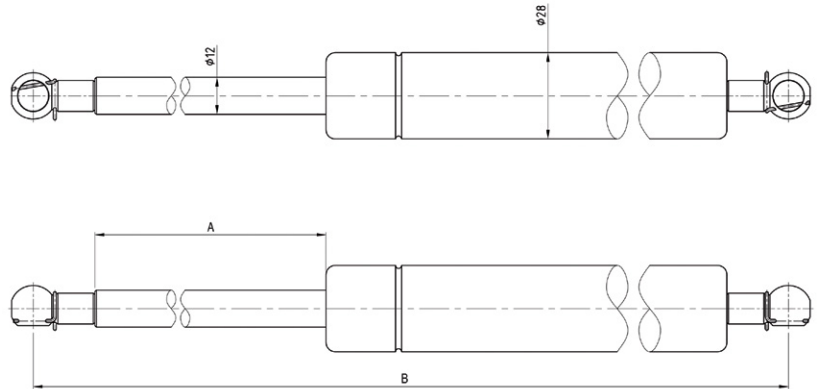
Ø12MM PISTON SHAFT

FEATURES:

- QPQ coating on shaft
- Steel ends

PISTON ROD & CYLINDER DIMENSIONS:

- ø12mm piston rod
- ø28mm cylinder



STROKE LENGTH ('A' in mm)	EXTENDED LENGTH ('B' in mm)	FORCE RANGE (in N)	PART NUMBER
215	530	100-1600	G530-12-C19-###N
250	620	100-1600	G620-12-C19-###N
285	670	100-1600	G670-12-C19-###N
300	700	100-1600	G700-12-C19-###N
310	750	100-1600	G750-12-C19-###N

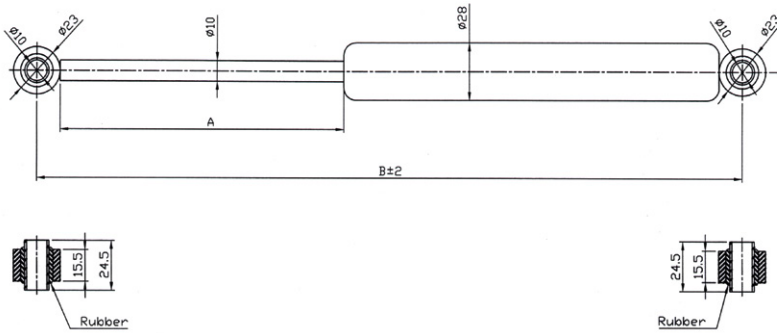
SP04 SERIES

FEATURES:

- Chrome plated shaft

PISTON ROD & CYLINDER DIMENSIONS:

- $\varnothing 10$ mm piston rod
- $\varnothing 28$ mm cylinder



STROKE LENGTH ('A' in mm)	EXTENDED LENGTH ('B' in mm)	FORCE RANGE (in N)	PART NUMBER
80	214	80-800	SP04-080214-###N

STAINLESS STEEL Ø8MM PISTON SHAFT

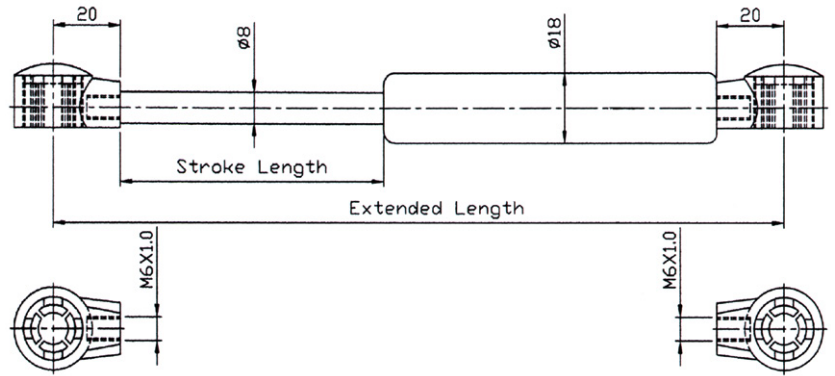
FEATURES:

- 316 grade stainless steel piston rod & cylinder
- Plastic quick-fit ends

PISTON ROD & CYLINDER DIMENSIONS:

- ø8mm piston rod
- ø18mm cylinder

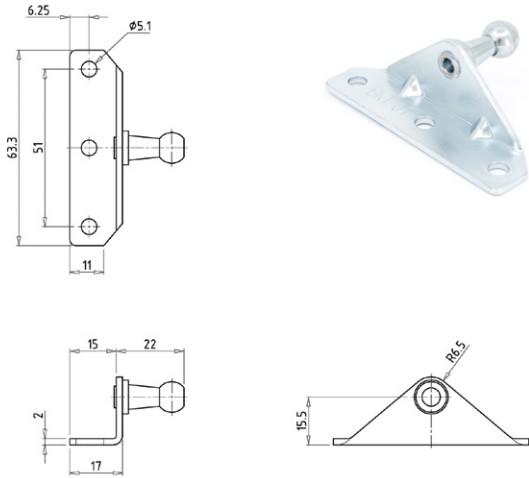
SELECTLOK
STAINLESS
STEEL



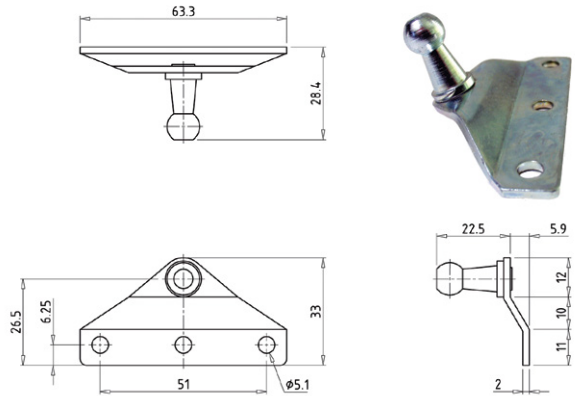
Stainless steel ball ends supplied separately. ([Part no: SW-13-SS](#))

STROKE LENGTH ('A' in mm)	EXTENDED LENGTH ('B' in mm)	FORCE RANGE (in N)	PART NUMBER
115	310	100-700	SS2-115310-###N-SS
215	510	100-700	SS2-215510-###N-SS
265	610	100-700	SS2-265610-###N-SS
365	810	100-700	SS2-365810-###N-SS

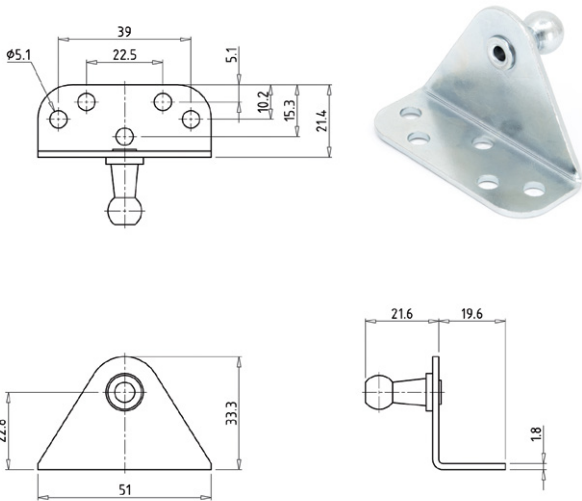
GAS STRUT BRACKET



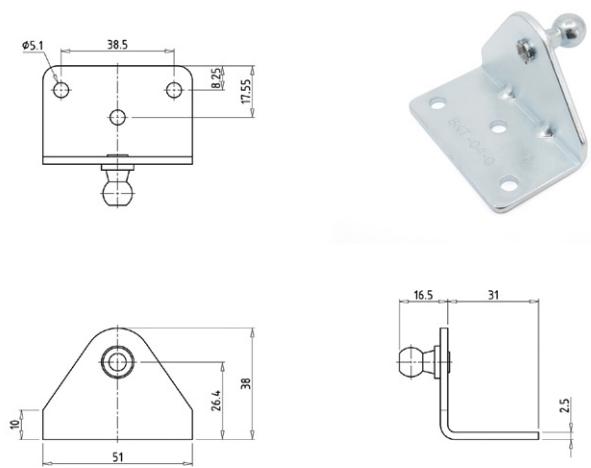
PART NO: BRACKET-01



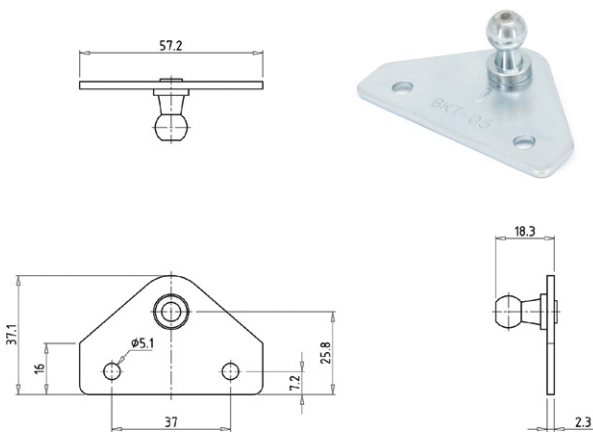
PART NO: BRACKET-02



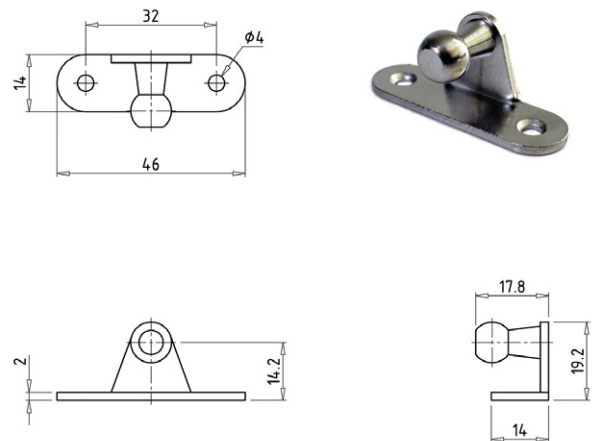
PART NO: BRACKET-03



PART NO: BRACKET-04

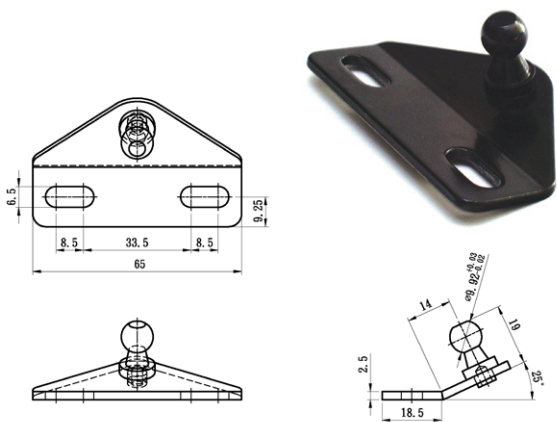


PART NO: BRACKET-05

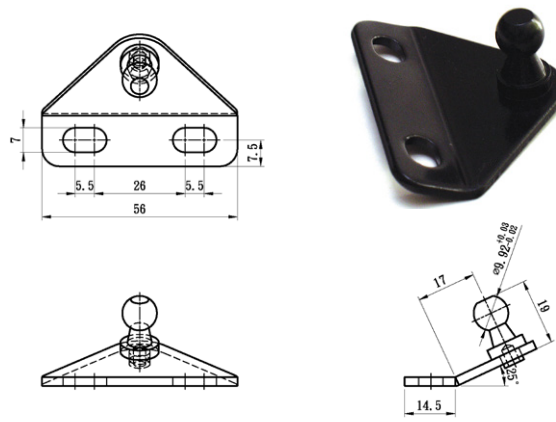


PART NO: BRACKET-06

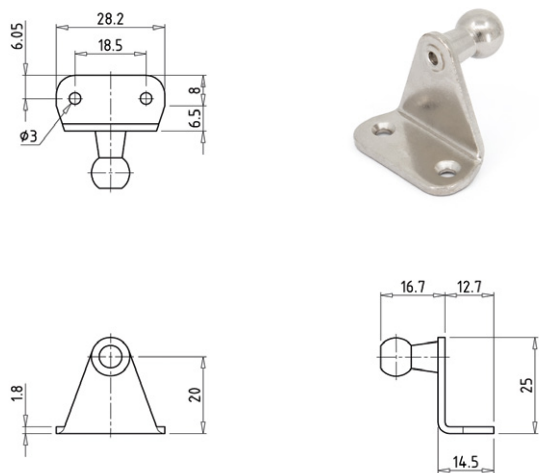
GAS STRUT BRACKET



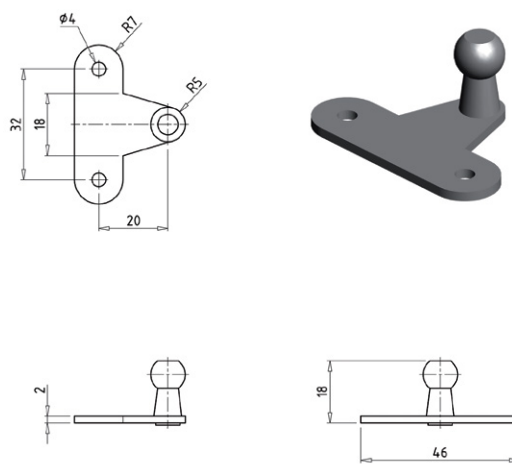
PART NO: BRACKET-51



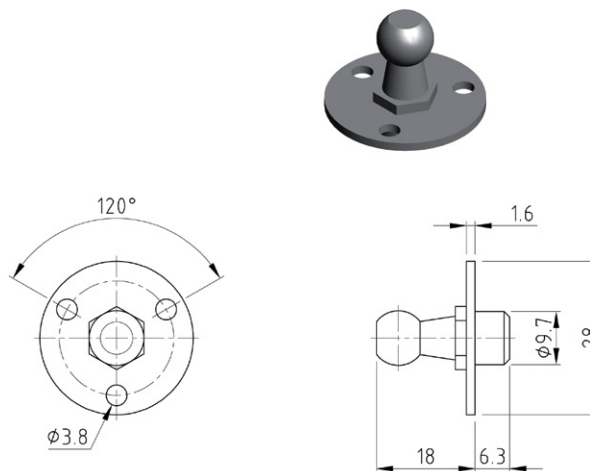
PART NO: BRACKET-52



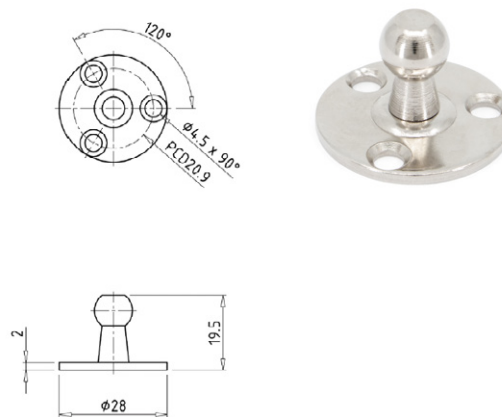
PART NO: BRACKET-07



PART NO: BRACKET-08

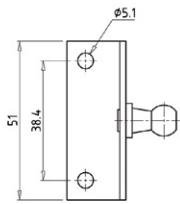


PART NO: BRACKET-09

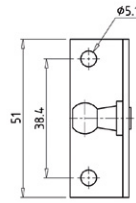


PART NO: BRACKET-09A

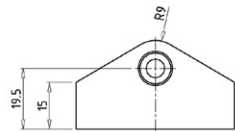
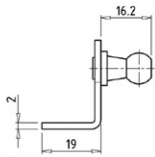
GAS STRUT BRACKET



SELECTLOK
STAINLESS
STEEL

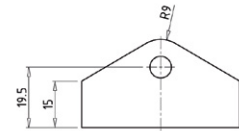
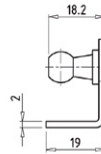


SELECTLOK
STAINLESS
STEEL



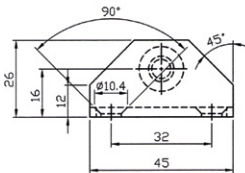
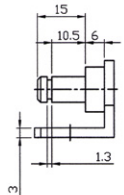
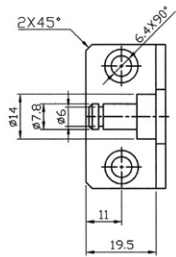
PART NO: BRACKET-10L

STAINLESS STEEL PART NO: BRACKET-10L-SS

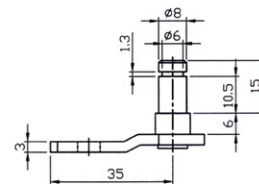
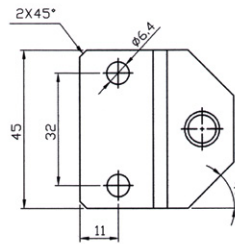


PART NO: BRACKET-10R

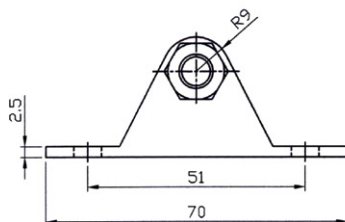
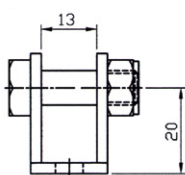
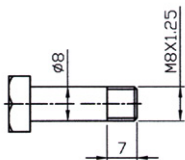
STAINLESS STEEL PART NO: BRACKET-10R-SS



PART NO: BRACKET-11

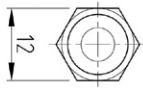


PART NO: BRACKET-12

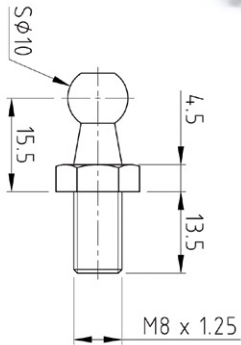


PART NO: BRACKET-13

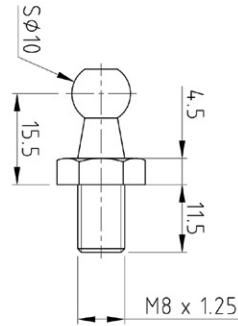
BALL STUDS



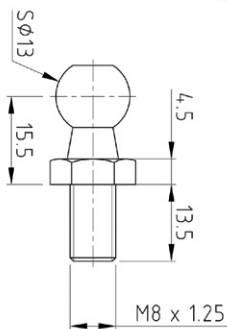
SELECTRIX
STAINLESS
STEEL



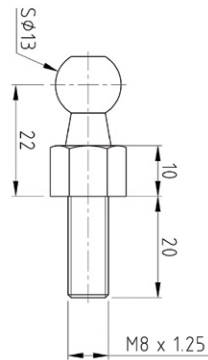
PART NO: SW-12
STAINLESS STEEL PART NO : SW-12-SS



PART NO: SW-13

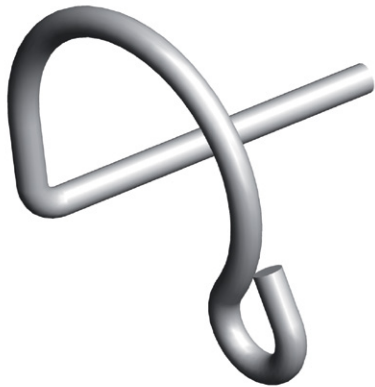


PART NO: SW-14

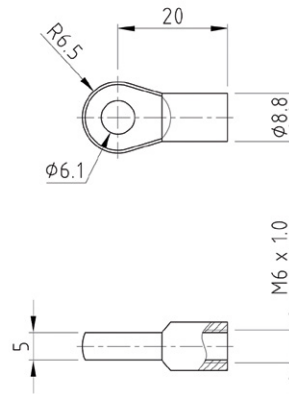


PART NO: SW-14-L

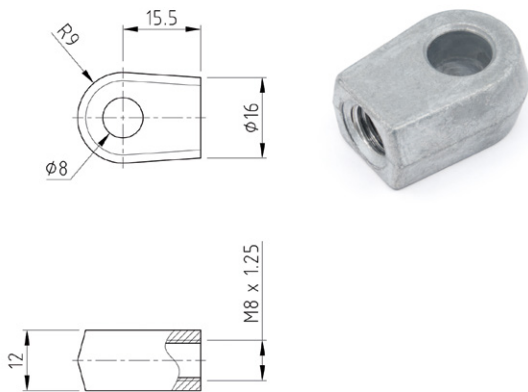
GAS STRUT CONNECTORS



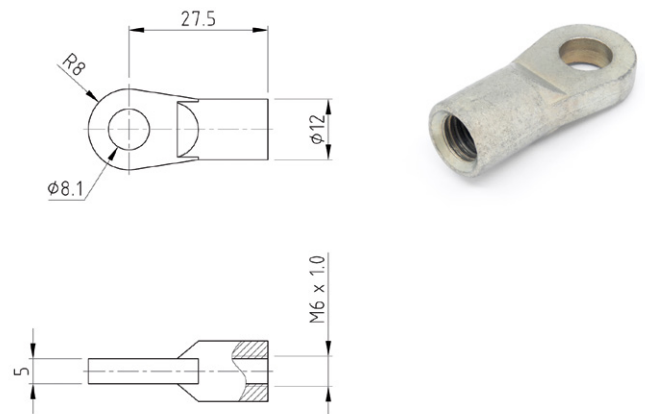
PART NO: C9CLIP



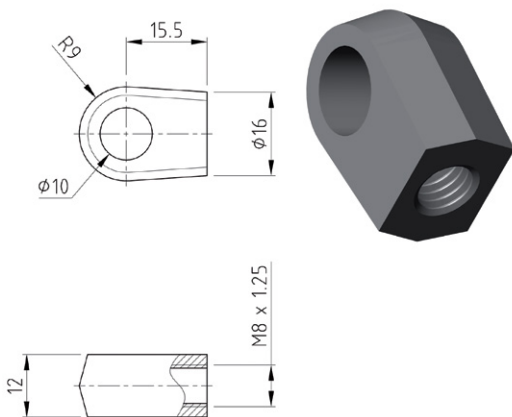
PART NO: D6



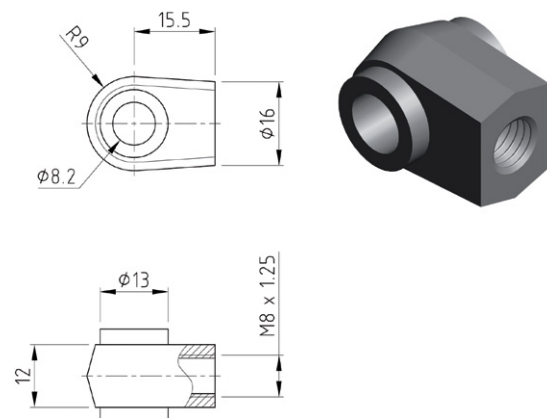
PART NO: D8



PART NO: D8A-2

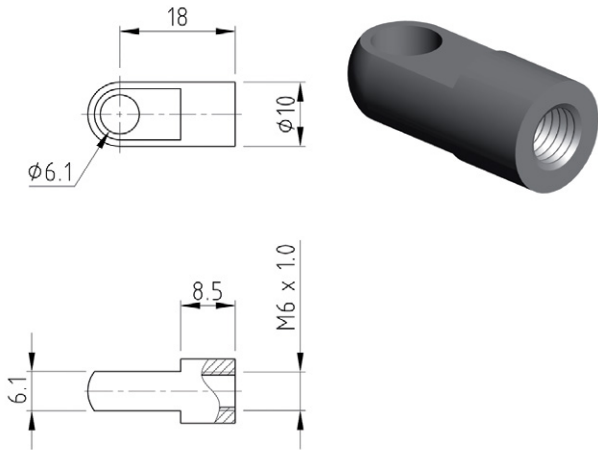


PART NO: D10

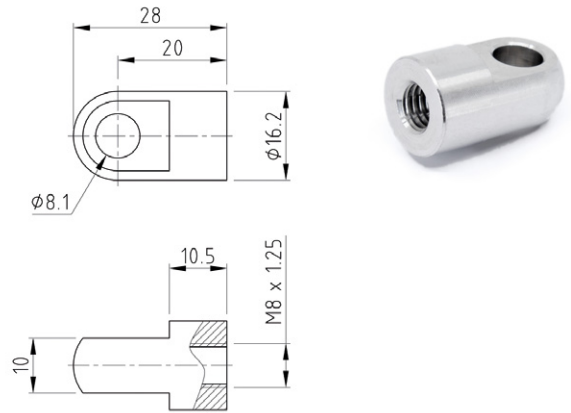


PART NO: D13

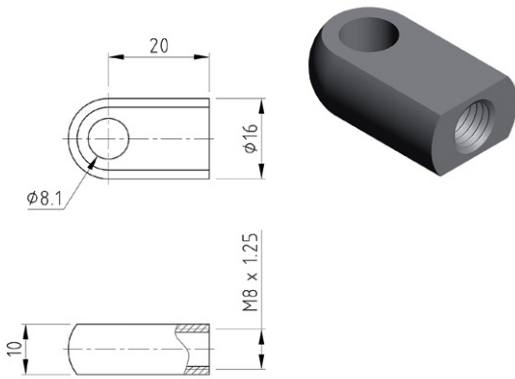
GAS STRUT CONNECTORS



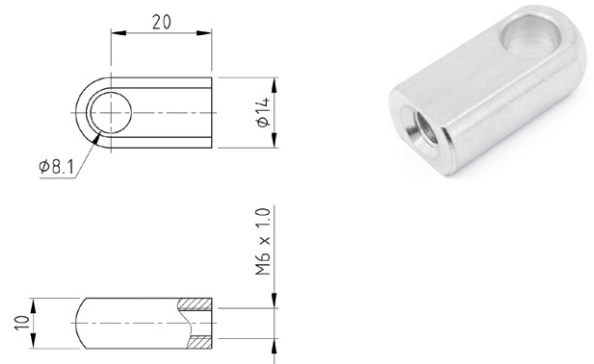
PART NO: AL01



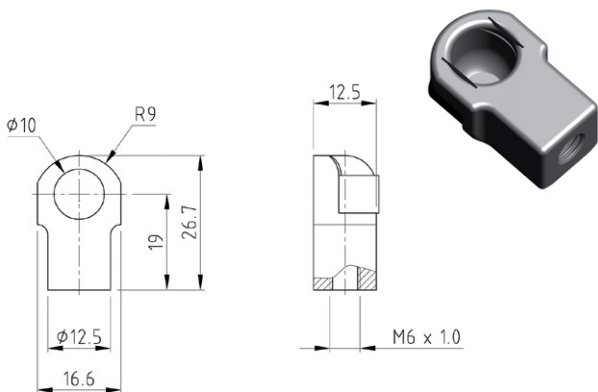
PART NO: AL02



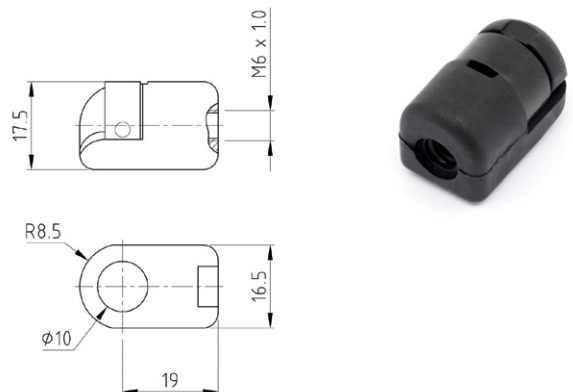
PART NO: AL03



PART NO: AL04



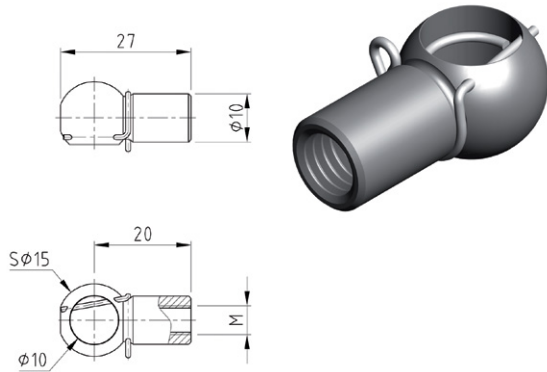
PART NO: B6



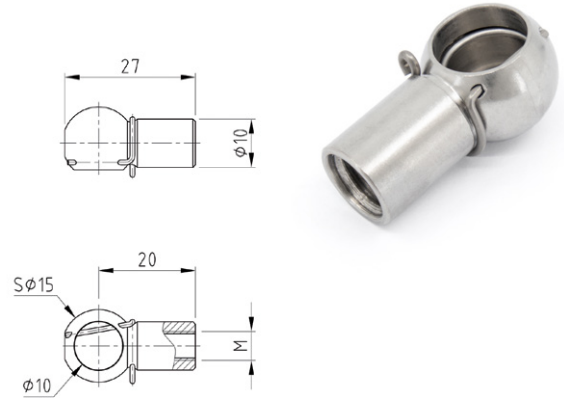
PART NO: B-9

GAS STRUT CONNECTORS

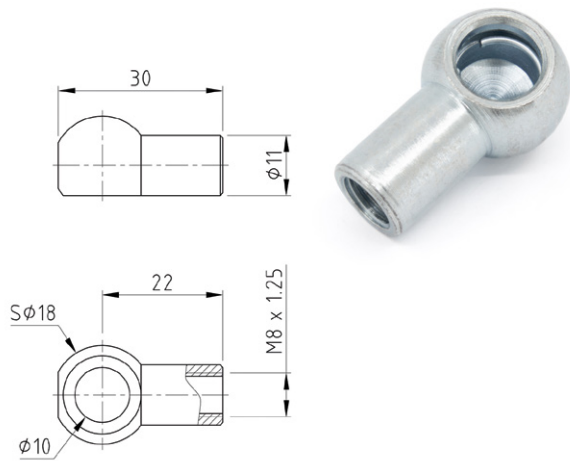
SELECTLOK
STAINLESS
STEEL



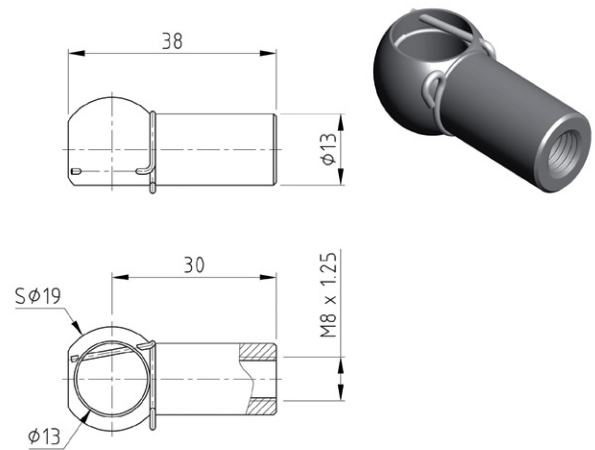
PART NO: C9 (M6)



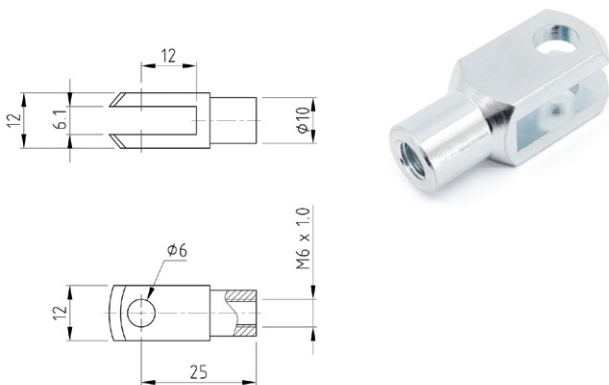
PART NO: C9A (M8)
STAINLESS STEEL PART NO : C9S20M8



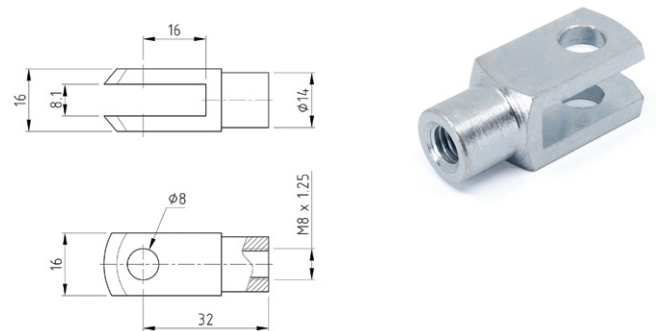
PART NO: C18



PART NO: C19

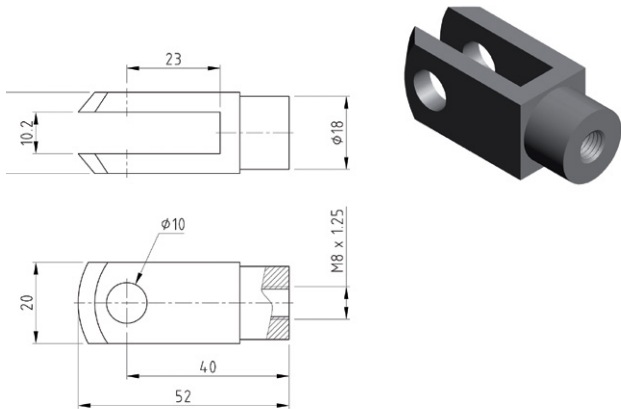


PART NO: U5

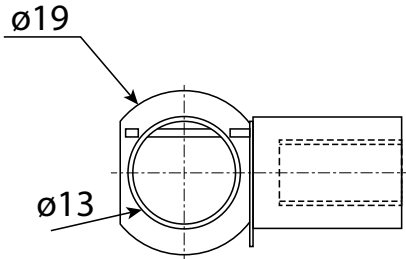
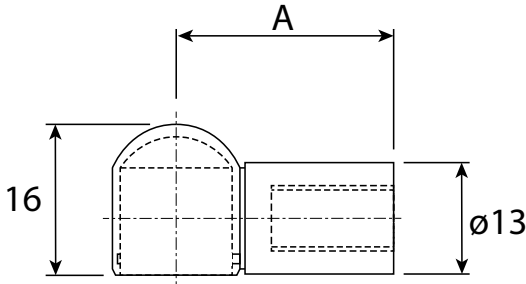


PART NO: U6

GAS STRUT CONNECTORS



PART NO: U7



BALL SOCKET WITH CIRLIP

MATERIAL & FINISH:

- Material : 12L14
- Surface treatment : Black coated



LENGTH A (mm)	HOUSING THREAD	PART NUMBER
20	M8x1.25	C1920M8-BLK
25	M8x1.25	C1925M8-BLK

Please note: Selectlok/Selectrix reserves the right to alter designs and dimensions without notice.
©Selectrix Industries Pty Ltd and Selectlok NZ Limited.

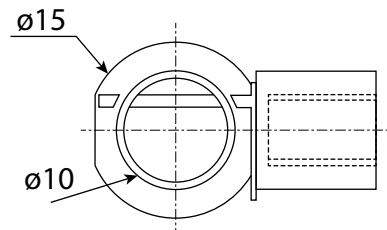
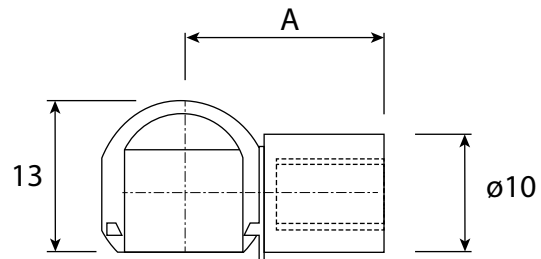
BALL SOCKET WITH CIRLIP

VERSION 1:

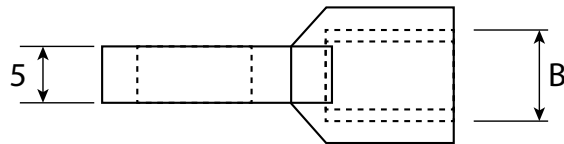
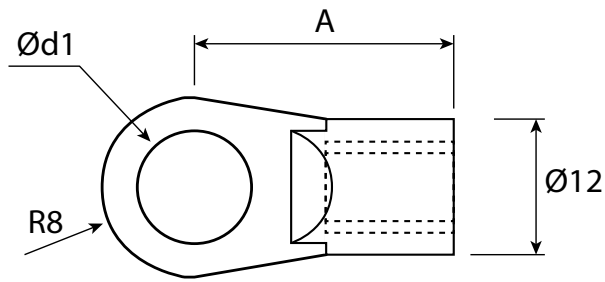
- Material : 12L14/ Stainless steel
- Surface treatment : Black coated/ vibratory grinding

VERSION 2:

- Material : Stainless steel 303
- Surface treatment : Vibratory grinding



MATERIAL & FINISH	LENGTH A (mm)	HOUSING THREAD	PART NUMBER
12L14, Black coated	20	M6x1.0	C920M6
12L14, Black coated	25	M6x1.0	C925M6
12L14, Black coated	30	M6x1.0	C930M6
12L14, Black coated	20	M8x1.25	C920M8



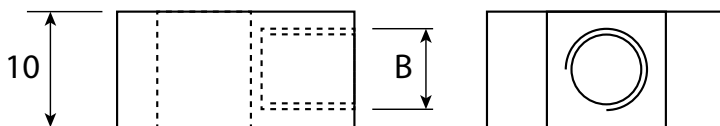
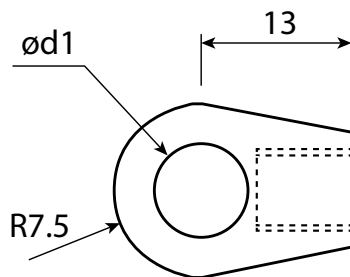
EYELET (DIE CASTING)

MATERIAL & FINISH:

- Material : Alloy zinc
- Surface treatment : Zinc plated



HOLE (mm)	HOUSING THREAD	PART NUMBER
10.1	M8x1.25	D8A5
10.1	M6x1.0	D8A6



EYELET (DIE CASTING)

MATERIAL & FINISH:

- Material : Alloy zinc
- Surface treatment : Zinc plated



HOLE (mm)	HOUSING THREAD	PART NUMBER
8.1	M6x1.0	D7A