

14



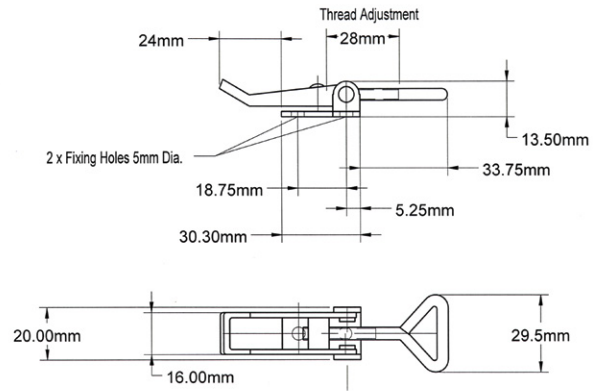
SECTION FOURTEEN

- [14-1 SMALL OVER CENTRE FASTENER](#)
- [14-1 PADLOCKABLE CENTRE FASTENER](#)
- [14-2 MEDIUM OVER CENTRE FASTENER](#)
- [14-2 LARGE OVER CENTRE FASTENER](#)
- [14-3 TOGGLE FASTENER & HOOK](#)

SMALL OVER CENTRE FASTENER

MATERIAL & FINISH:

- Mild steel/zinc plated



MATERIAL	FINISH	COMPONENT	PART NUMBER
Mild steel	Zinc plated	Latch	9171
Mild steel	Zinc plated	Hook	92106-1

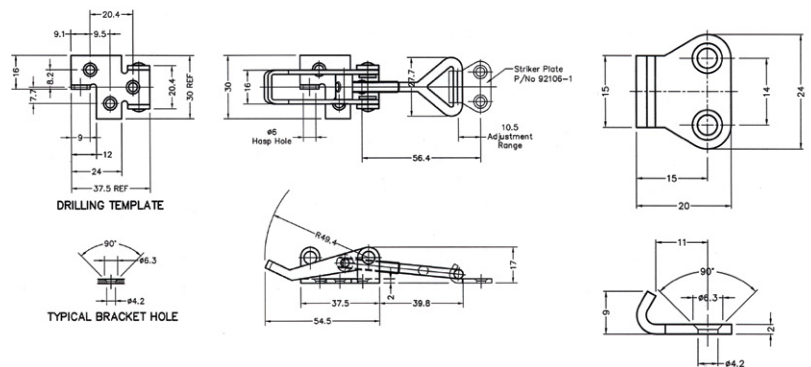
PADLOCKABLE SMALL OVER CENTRE FASTENER

FEATURES:

- Padlockable

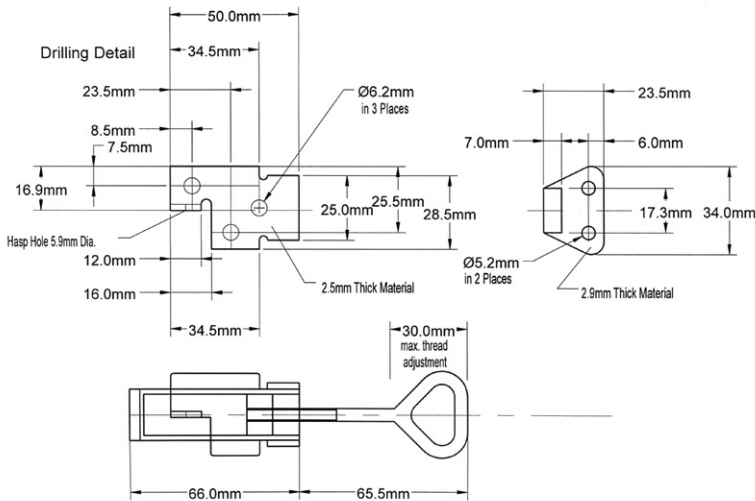
MATERIAL & FINISH:

- Mild steel/zinc plated
- Stainless steel



MATERIAL	FINISH	COMPONENT	PART NUMBER
Mild steel	Zinc plated	Latch	92106
Mild steel	Zinc plated	Hook	92106-1
Stainless steel	-	Latch	92106SS
Stainless steel	-	Hook	92106-1SS

SELECTLOK
STAINLESS
STEEL



MEDIUM OVER CENTRE FASTENER

FEATURES:

- Padlockable

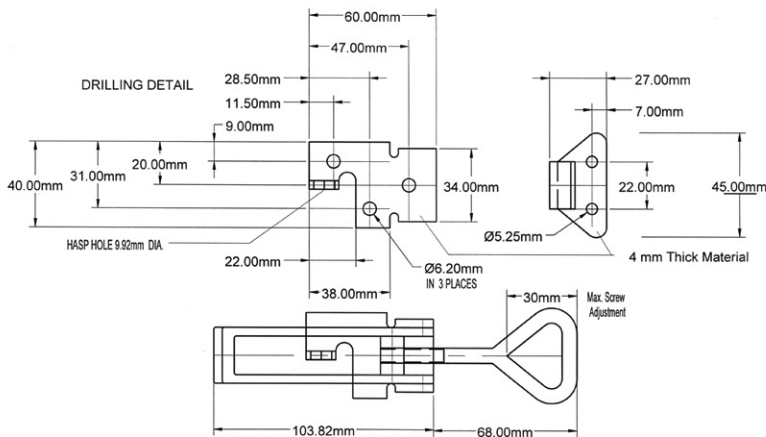
MATERIAL & FINISH:

- Mild steel/zinc plated
- Stainless steel



MATERIAL	FINISH	COMPONENT	PART NUMBER
Mild steel	Zinc plated	Latch	92105
Mild steel	Zinc plated	Hook	92105-1
Stainless steel	-	Latch	92105SS
Stainless steel	-	Hook	92105-1SS

SELECTLOK
STAINLESS
STEEL



LARGE OVER CENTRE FASTENER

FEATURES:

- Padlockable

MATERIAL & FINISH:

- Mild steel/zinc plated
- Stainless steel



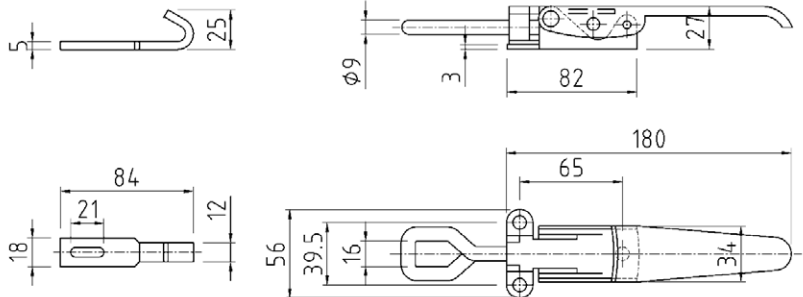
MATERIAL	FINISH	COMPONENT	PART NUMBER
Mild steel	Zinc plated	Latch	92104
Mild steel	Zinc plated	Hook	92104-1
Stainless steel	-	Latch	92104SS
Stainless steel	-	Hook	92104-1SS

TOGGLE FASTENER AND HOOK

MATERIAL & FINISH:

- Steel
- Zinc plated

SELECTLOK
STAINLESS
STEEL



DESCRIPTION	MATERIAL	PART NUMBER
Toogle fastener	Steel	147050
Hook to suit	Steel	147054
Toogle fastener	Stainless Steel	147050S
Hook to suit	Stainless steel	147054-S