

SECTION ELEVEN

[11-1 50MM PINTLE HINGE](#)

[11-2 STEPPED PINTLE HINGE](#)

[11-3 82MM PINTLE HINGE](#)

[11-4 SNAP IN FIXING HINGE](#)

[11-5 PINTLE HINGE SHORT](#)

[11-6 STEPPED PINTLE HINGE](#)

[11-7 STEPPED PINTLE HINGE](#)

[11-8 HIB900NS](#)

[11-9 HIB860NS-E](#)

[11-10 MULTI-HEAD SCREW](#)

[11-10 SOCKET HEAD SCREW](#)

[11-11 SCREW-ON HINGE](#)

[11-11 PEDESTAL HINGE](#)

[11-12 SCREW-ON HINGE](#)

[11-13 SIDE DOOR HINGE](#)

[11-14 LIFT-OFF HINGE](#)

[11-15 BUTT HINGES](#)

[11-16 NON-MORTICE HINGE](#)

[11-17 BUTT HINGES](#)

[11-18 CORNER HINGE](#)

[11-19 SEMI-CONCEALED HINGE](#)

[11-20 INSTALLATION DIAGRAM](#)

[11-22 SPRING LOADED HINGE](#)

[11-23 GLASS DOOR HINGE](#)

[11-23 TORQUE BUTT HINGE](#)

[11-24 CONCEALED HINGES](#)

[11-26 PIANO HINGES](#)

[11-28 POLIALL HINGE](#)

[11-29 TILA CONTINUOUS HINGE](#)

[11-30 TILA HINGE](#)

[11-31 REAR DOOR LEAF HINGE](#)

[11-32 BRACKET](#)

[11-33 HINGES](#)

[11-34 HINGES](#)

[11-36 SEMI-CONCEALED HINGE](#)

[11-37 WELD ON HINGES](#)

50MM PINTLE HINGE

FEATURES:

- Brass
- Stainless steel pin
- High quality chrome plating
- Interchangeable male & female components

DIMENSIONS:

Height = 16mm
 Length = 50mm
 Pin diameter = 6mm

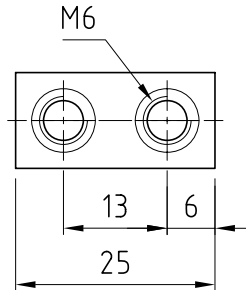
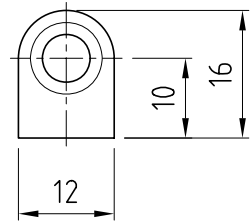
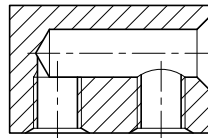
MATERIAL & FINISH:

Hinge Body Brass, chrome plated
 Pin Stainless steel

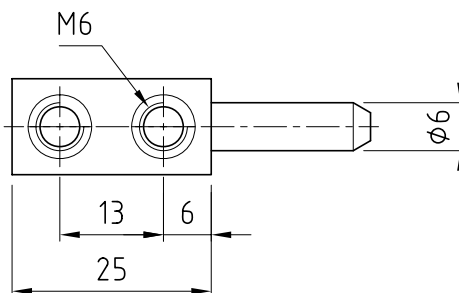
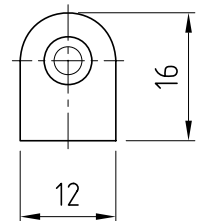
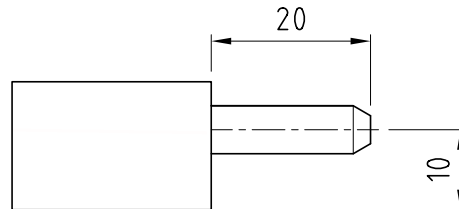
SCREWS:

[Hex multi head - F-HMHSS-M6X8](#)
[Socket head cap - F-SCS-M6X8-ZP](#)
[Refer to page 11-10 for entire range](#)

Box quantity: 200



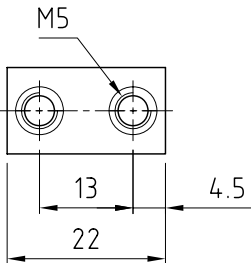
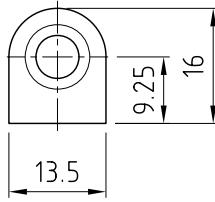
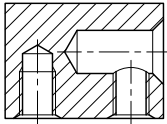
TOP



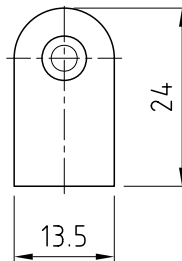
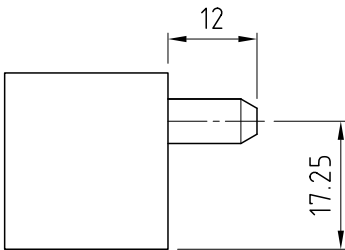
BOTTOM

FINISH	MATERIAL	PART NUMBER
Chrome plated	Brass	HIB500NS-E
Polished	Stainless Steel	HIB500SS-316NS

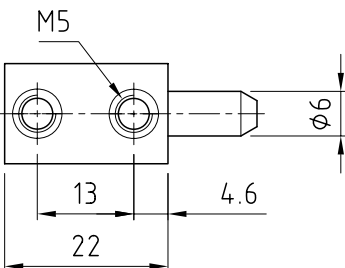
STEPPED PINTLE HINGE



TOP



BOTTOM



FEATURES:

- Brass
- Stainless steel pin
- High quality chrome plating
- Interchangeable male & female components

DIMENSIONS:

Height (female)	= 16mm
Height (male)	= 24mm
Length	= 44mm
Pin diameter	= 6mm

MATERIAL & FINISH:

Hinge Body	Brass, chrome plated
Pin	Stainless steel

Box quantity: 200



FINISH	MATERIAL	PART NUMBER
Chrome plated	Brass	HIB520NS-E

82MM PINTLE HINGE

SELECTLOK
STAINLESS
STEEL

FEATURES:

- Brass
- Stainless steel pin
- High quality chrome plating
- Interchangeable male & female components

DIMENSIONS:

Height = 16mm
 Length = 82mm
 Pin diameter = 6mm

MATERIAL & FINISH:

Hinge Body Brass, chrome plated
 Pin Stainless steel

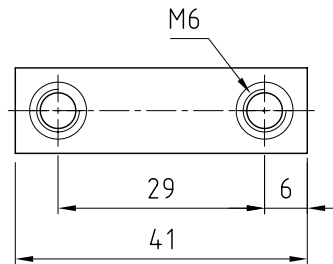
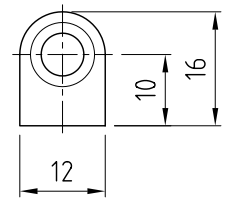
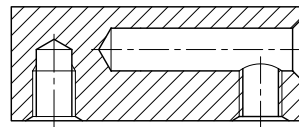
SCREWS:

[Hex multi head - F-HMHSS-M6X8](#)

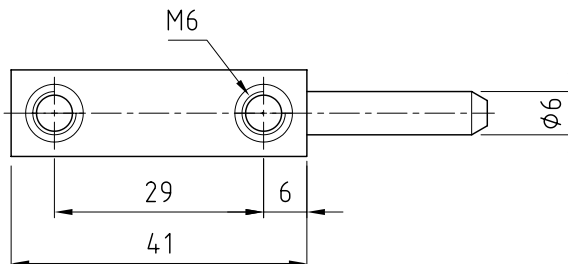
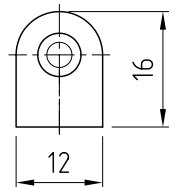
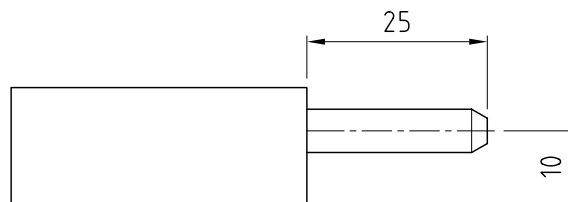
[Socket head cap - F-SCS-M6X8-ZP](#)

[Refer to page 11-10 for entire range](#)

Box quantity: 200



TOP



BOTTOM



FINISH	MATERIAL	PART NUMBER
Chrome plated	Brass	HIB650NS-E
Black EDP coated	Brass	HIB650E-BLKNS
Polished	Stainless steel 316	HIB650SS-316NS
Chrome plated	Zinc die cast	HIB650NS-ZN

82MM PINTLE HINGE SHORT PIN

FEATURES:

- Stainless steel pin
- Interchangeable male & female components

DIMENSIONS:

Height = 16mm
 Length = 82mm
 Pin diameter = 6mm

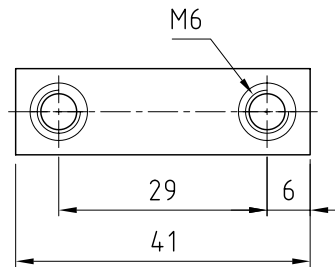
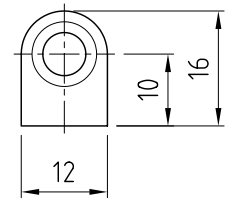
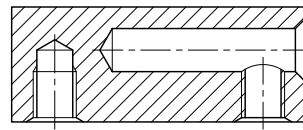
MATERIAL & FINISH:

Hinge Body (refer to the table)
 Pin Stainless steel

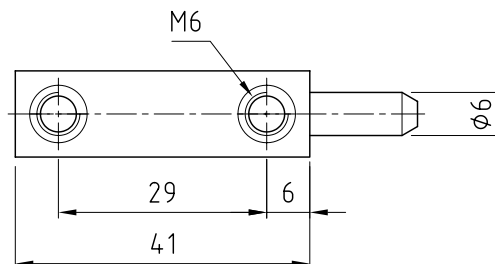
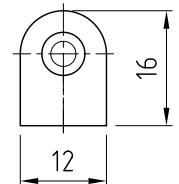
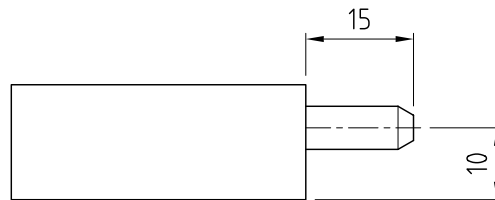
SCREWS:

[Hex multi head - F-HMHSS-M6X8](#)
[Socket head cap - F-SCS-M6X8-ZP](#)
[Refer to page 11-10 for entire range](#)

Box quantity: 200



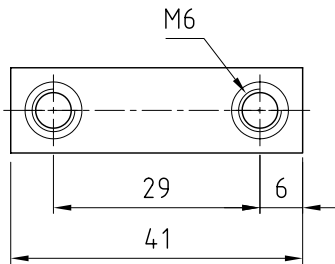
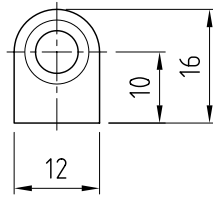
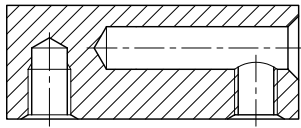
TOP



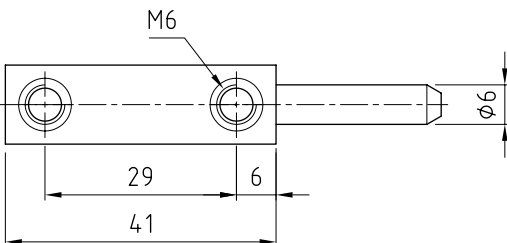
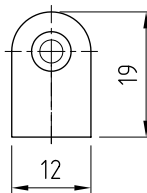
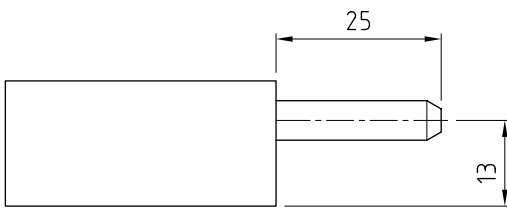
BOTTOM

FINISH	MATERIAL	PART NUMBER
Chrome plated	Brass	HIB650NS-SHORT

82MM STEPPED PINTLE HINGE



TOP



BOTTOM

FEATURES:

- Brass
- Stainless steel pin
- High quality chrome plating
- Interchangeable male & female components

DIMENSIONS:

Height (female) = 16mm
 Height (male) = 19mm
 Length = 82mm
 Pin diameter = 6mm

MATERIAL & FINISH:

Hinge Body Brass, chrome plated
 Pin Stainless steel

SCREWS:

[Hex multi head - F-HMHSS-M6X8](#)
[Socket head cap - F-SCS-M6X8-ZP](#)
[Refer to page 11-10 for entire range](#)

Box quantity: 200



FINISH	MATERIAL	PART NUMBER
Chrome plated	Brass	HIB820NS-E
Polished	Stainless steel	HIB820SS-316NS

82MM STEPPED PINTLE HINGE

FEATURES:

- Brass
- Stainless steel pin
- High quality chrome plating
- Interchangeable male & female components

DIMENSIONS:

Height (female)	= 16mm
Height (male)	= 24mm
Length	= 82mm
Pin diameter	= 6mm

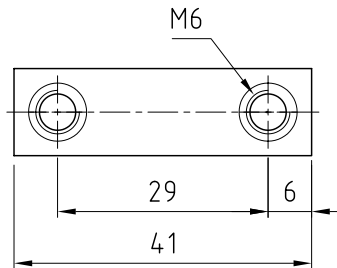
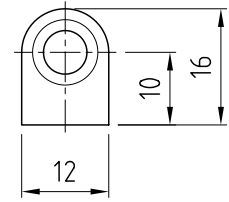
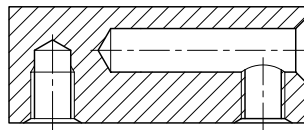
MATERIAL & FINISH:

Hinge Body	Brass, chrome plated
Pin	Stainless steel

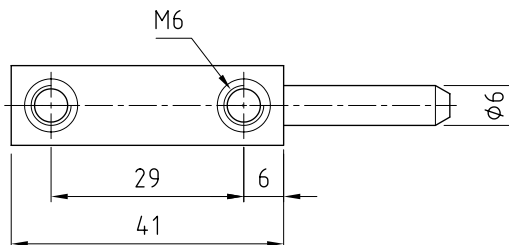
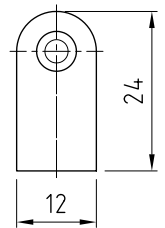
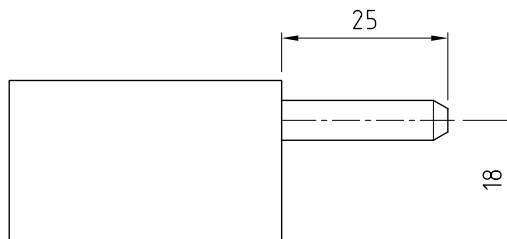
SCREWS:

[Hex multi head - F-HMHSS-M6X8](#)
[Socket head cap - F-SCS-M6X8-ZP](#)
 Refer to page 11-10 for entire range

Box quantity: 200



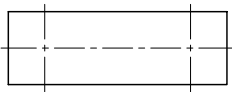
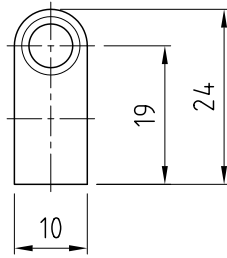
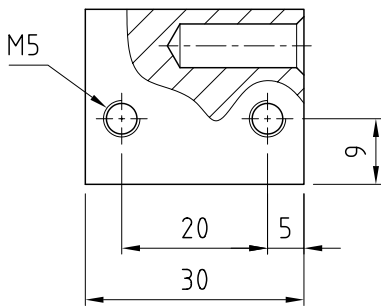
TOP



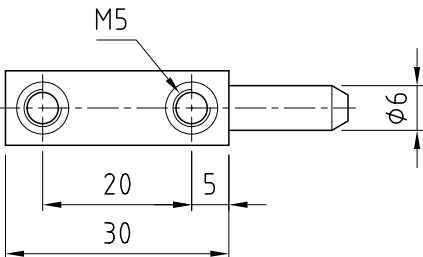
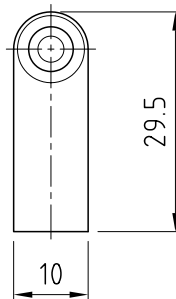
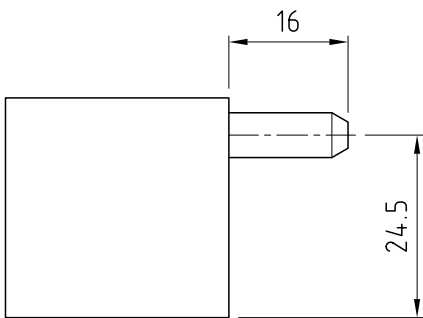
BOTTOM

FINISH	MATERIAL	PART NUMBER
Chrome plated	Brass	HIB880NS-E

HIB900NS



TOP



BOTTOM

FEATURES:

- Brass
- Stainless steel pin
- High quality chrome plating
- Interchangeable male & female components

DIMENSIONS:

Height (female)	= 24mm
Height (male)	= 29.5mm
Length	= 60mm
Pin diameter	= 6mm

MATERIAL & FINISH:

Hinge Body	Brass, chrome plated
Pin	Stainless steel

Box quantity: 200



FINISH	MATERIAL	PART NUMBER
Chrome plated	Brass	HIB900NS-E

HIB860NS-E

FEATURES:

- Brass
- Stainless steel pin
- High quality chrome plating
- Interchangeable male & female components

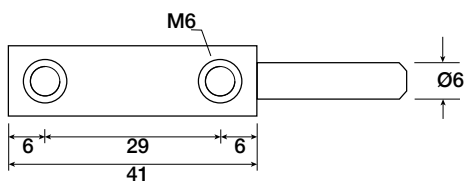
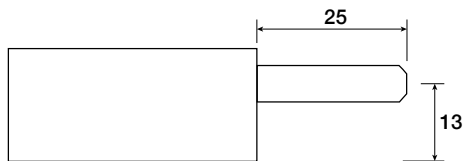
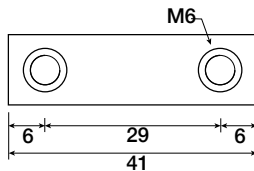
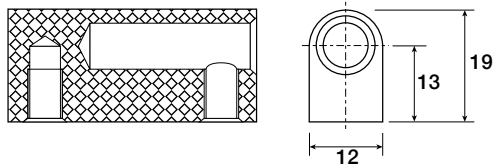
DIMENSIONS:

Height = 19mm
Length = 82mm
Pin diameter = 6mm

MATERIAL & FINISH:

Hinge Body Brass, chrome plated
Pin Stainless steel

Box quantity: 200



FINISH

Chrome Plated

PART NUMBER

HIB860NS-E

HEX MULTI-HEAD SERRATED SCREW

FEATURES:

- M6 X 8
- Serrations under head for earthing purposes
- Available in mild steel-zinc plated or stainless steel



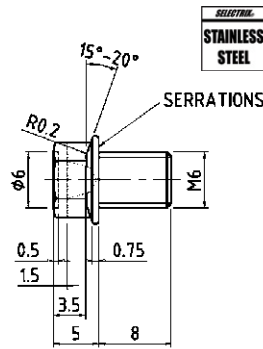
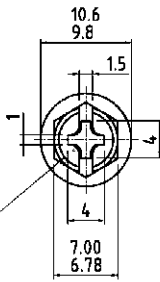
SOCKET HEAD CAP SCREW

FEATURES:

- M6 X 8
- Available in mild steel-zinc plated or stainless steel

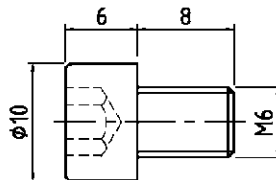
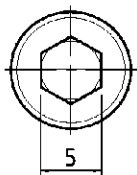


TYPE I CROSS RECESS



Please note : small hex shown

MATERIAL	FINISH	PART NUMBER
Mild steel	Zinc plated	F-HMHSS-M6X8
Stainless steel	-	F-HMHSS-M6X8-SS
Mild steel	Zinc plated	HIB650E-SCREW (LARGE HEX)
Stainless steel 316	-	HIB650-SCREW-SS

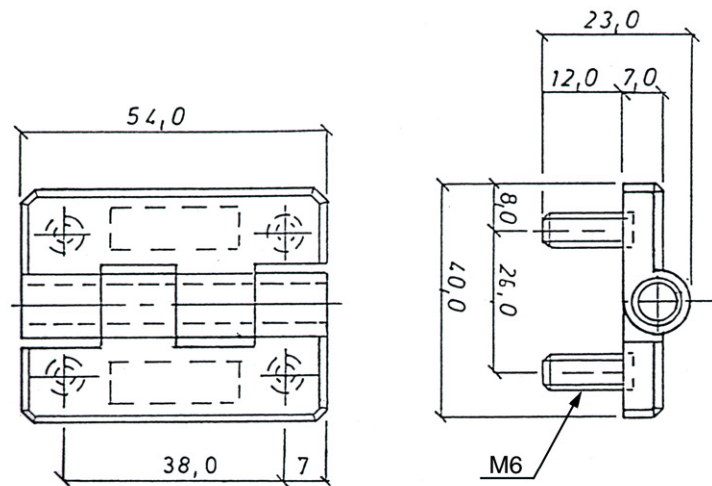


MATERIAL	FINISH	PART NUMBER
Mild steel	Zinc plated	F-SCS-M6X8-ZP
Stainless steel	-	F-SCS-M6X8-SS

SCREW-ON HINGE

FEATURES:

- Zinc die cast
- Stainless steel pin
- High quality black powder coated
- For flush mounted doors

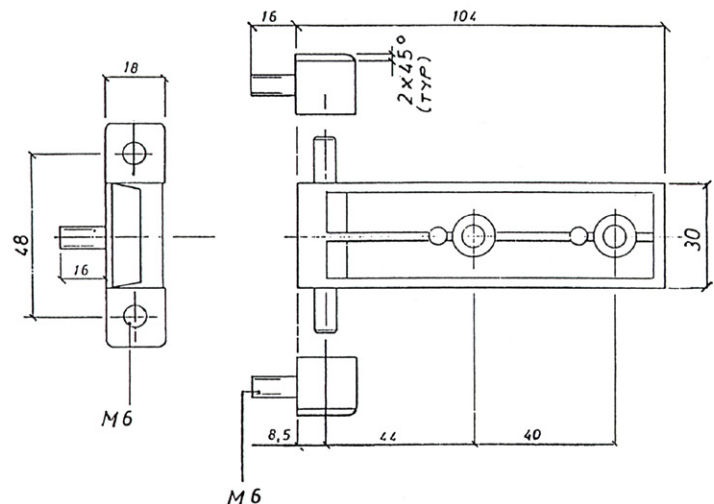


FINISH	DESCRIPTION	PART NUMBER
Black powder coated	Pedestal hinge	101-0168

PEDESTAL HINGE

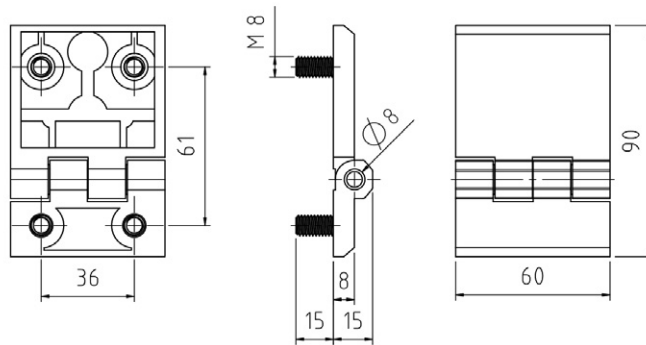
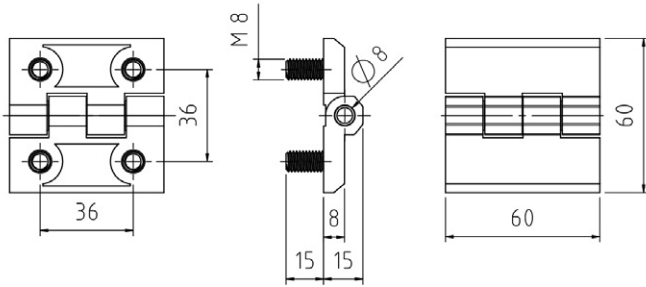
FEATURES:

- Zinc die cast
- Heavy duty
- High quality black powder coated
- For flush mounted doors



FINISH	DESCRIPTION	PART NUMBER
Black powder coated	Pedestal hinge	101-0145

SCREW-ON HINGE



FEATURES:

- Zinc die cast
- Stainless steel pin
- High quality black powder coated
- For flush mounted doors

DIMENSIONS:

Studs = M8

MATERIAL

Hinge Zinc die cast
Pin Stainless steel

FINISH:

Black coated or Chrome plated
(Orange peel finish)

Please note:

- Combination of studs + countersunk mounting available on request
- Minimum order quantities apply

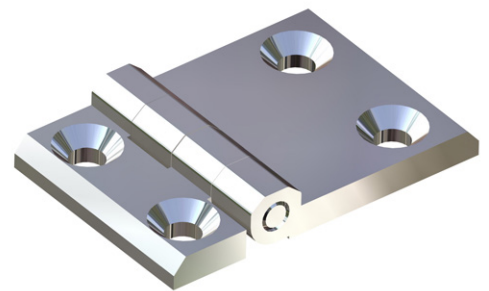


Photo shows front fixing

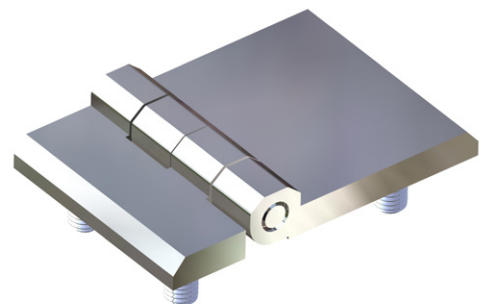


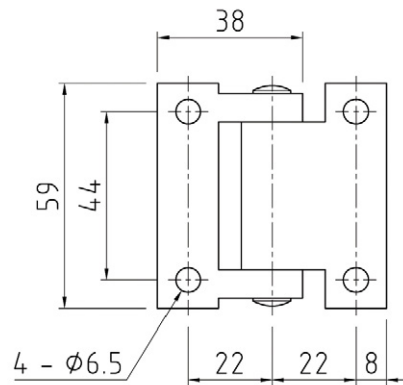
Photo shows rear fixing

Dimension	Finish	Fixing Method	PART NUMBER
40x40mm	Black EDP Coated	Rear Fixing	M299-1-2-1
40x40mm	Black EDP Coated	Front Fixing	M299-1-2-3
50x50mm	Black EDP Coated	Rear Fixing	M099-1-2-1
50x60mm	Chrome Plated	Rear Fixing	M099-2-2-2
60x60mm	Black EDP Coated	Rear Fixing	PI5367-03-B
60x60mm	Chrome Plated	Rear Fixing	PI5367-03-C
60x90mm	Black EDP Coated	Rear Fixing	M399-1-2-2
60x120mm	Chrome Plated	Front Fixing	M399-1-1-6
60x120mm	Black EDP Coated	Rear Fixing	M399-1-2-3

SIDE DOOR HINGE

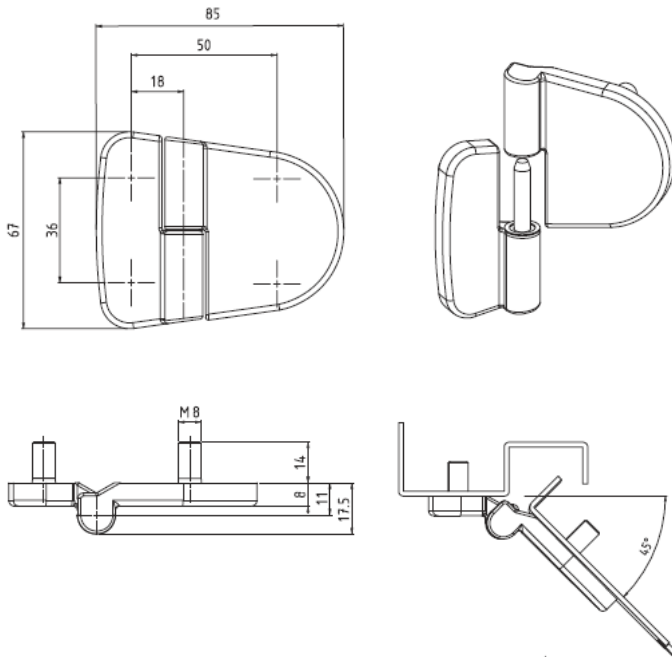
MATERIAL & FINISH:

- Stainless steel
- Polished



MATERIAL	PART NUMBER
Stainless steel	113080-S

LIFT - OFF HINGE



FEATURES:

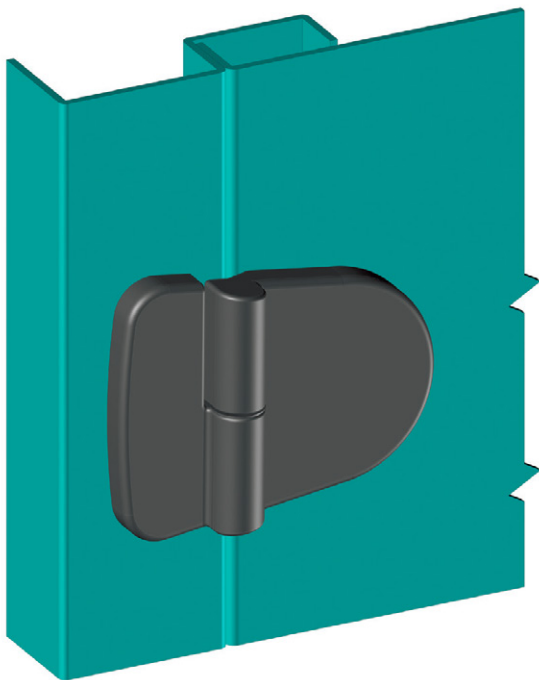
- Concealed mounting screws prevent external access to the hinge
- Design for plain/flush mounted doors
- Lift off hinge
- Left and right hand opening doors

APPLICATIONS

Generators, machinery covers, electric panels

MATERIAL & FINISH:

Body Zamak DIN-EN 1774
Pin Stainless steel



Description	FINISH	PART NUMBER
Right	Black coated	M1499-1-2-001
Left	Black coated	M1499-1-2-002

BUTT HINGE

MATERIAL & FINISH:

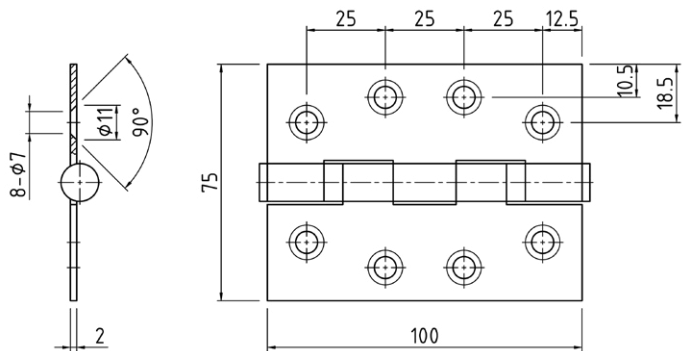
- Stainless steel
- Ball bearings to aid movement

DIMENSIONS:

Length = 100mm
 Width = 75mm
 Material thickness = 2mm



SELECTLOK
STAINLESS
STEEL



LENGTH	WIDTH	PART NUMBER
100mm	75mm	HIB100752SS

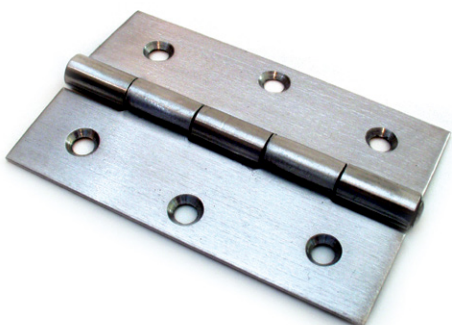
BUTT HINGE

MATERIAL & FINISH:

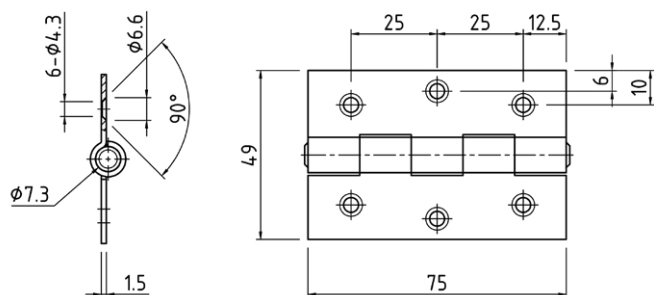
- Stainless steel

DIMENSIONS:

Length = 75mm
 Width = 49mm
 Material thickness = 1.5mm



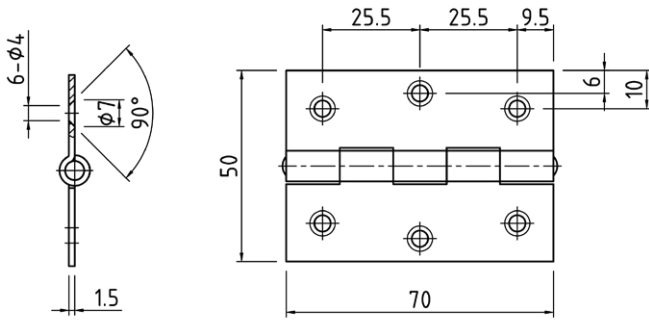
SELECTLOK
STAINLESS
STEEL



LENGTH	WIDTH	PART NUMBER
75mm	49mm	HIB7550SS

SELECTLOK
STAINLESS
STEEL

BUTT HINGE

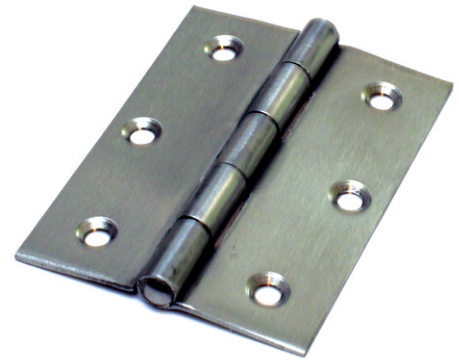


FEATURES:

- Stainless steel

DIMENSIONS:

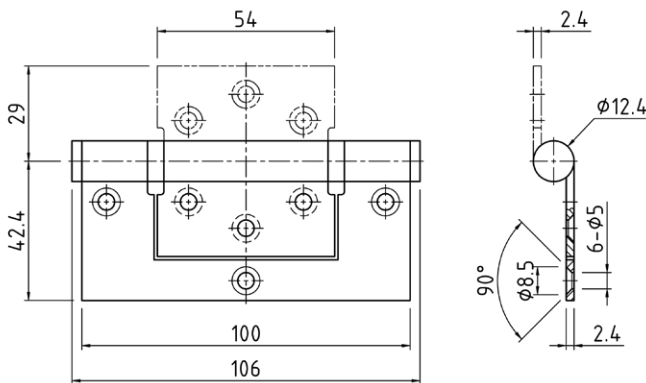
Length = 70mm
Width = 50mm
Material thickness = 1.5mm



LENGTH	WIDTH	PART NUMBER
70mm	50mm	HIB705016SS

SELECTLOK
STAINLESS
STEEL

NON-MORTICE HINGE

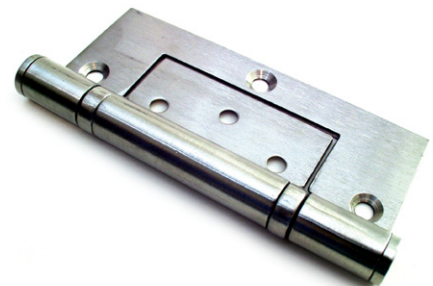


FEATURES:

- Stainless steel

DIMENSIONS:

Length = 100mm
Width = 71.4mm
Material thickness = 2.4mm



LENGTH	WIDTH	PART NUMBER
100mm	71.4mm	HIB100SS

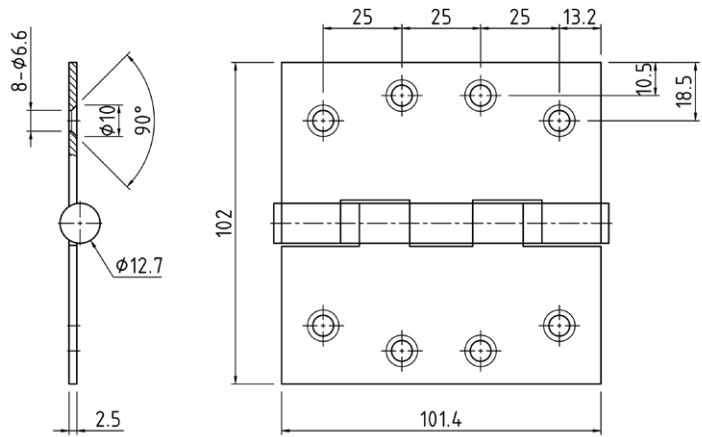
BUTT HINGE

FEATURES:

- Stainless steel
- Ball bearings to aid movement

DIMENSIONS:

Length = 101.4mm
 Width = 102mm
 Material thickness = 2.5mm



LENGTH	WIDTH	PART NUMBER
101.4mm	102mm	HIB44SS

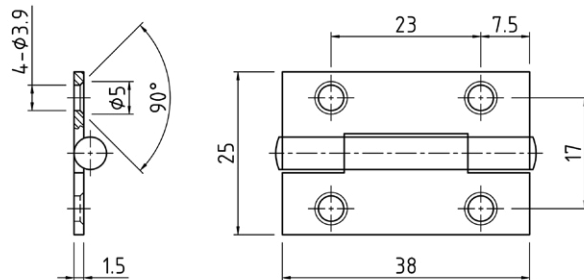
BUTT HINGE

FEATURES:

- Available in mild or stainless steel

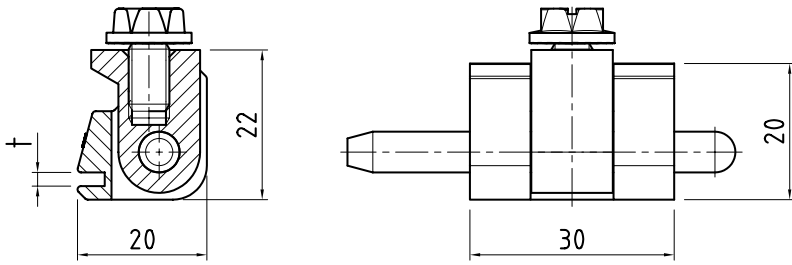
DIMENSIONS:

Length = 38mm
 Width = 25mm



MATERIAL	FINISH	t (mm)	PART NUMBER
Mild steel	Mild steel	1.0	HIB382506
Stainless steel	-	0.8	HIB3725SS

CORNER HINGE



FEATURES:

- Zinc die cast
- Delrin® pin
- Black EDP coated



PART NUMBER	FINISH	PIN	DOOR THICKNESS	STUD FIX
PI5346-MB-6-2-S	Matt black	Mild Steel	1.5mm to 2.3mm	YES
PI5346-B-1-2-S	Black	Delrin	1.5mm to 2.3mm	YES
PI5346-B-6-2-S	Black	Mild Steel	1.5mm to 2.3mm	YES

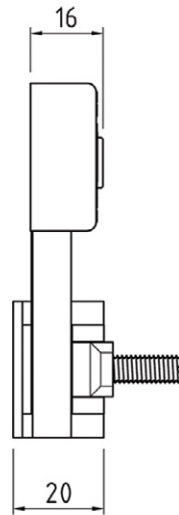
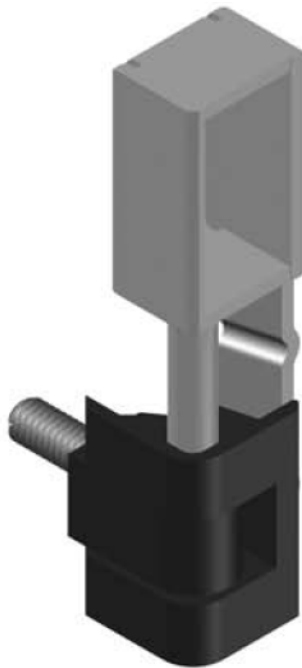
SEMI-CONCEALED HINGE WITH PIN CAPTIVE

FEATURES:

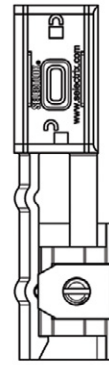
- Zinc die cast
- Black satin EDP coated
- Secure Delrin® and mild steel zinc plated pin
- Pin captive when door removed from cabinet

DIMENSIONS:

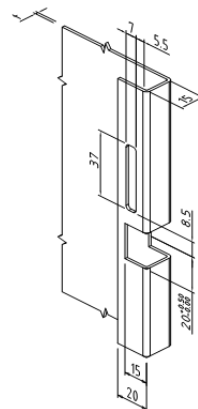
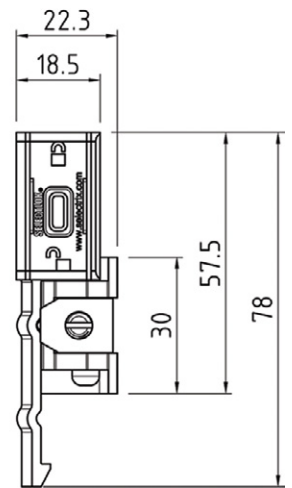
Suit door thickness 1 mm - 1.8 mm



Uninstalled Position

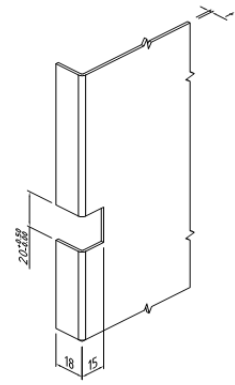


Installed Position



Cut-out

For Door version 1



Cut-out

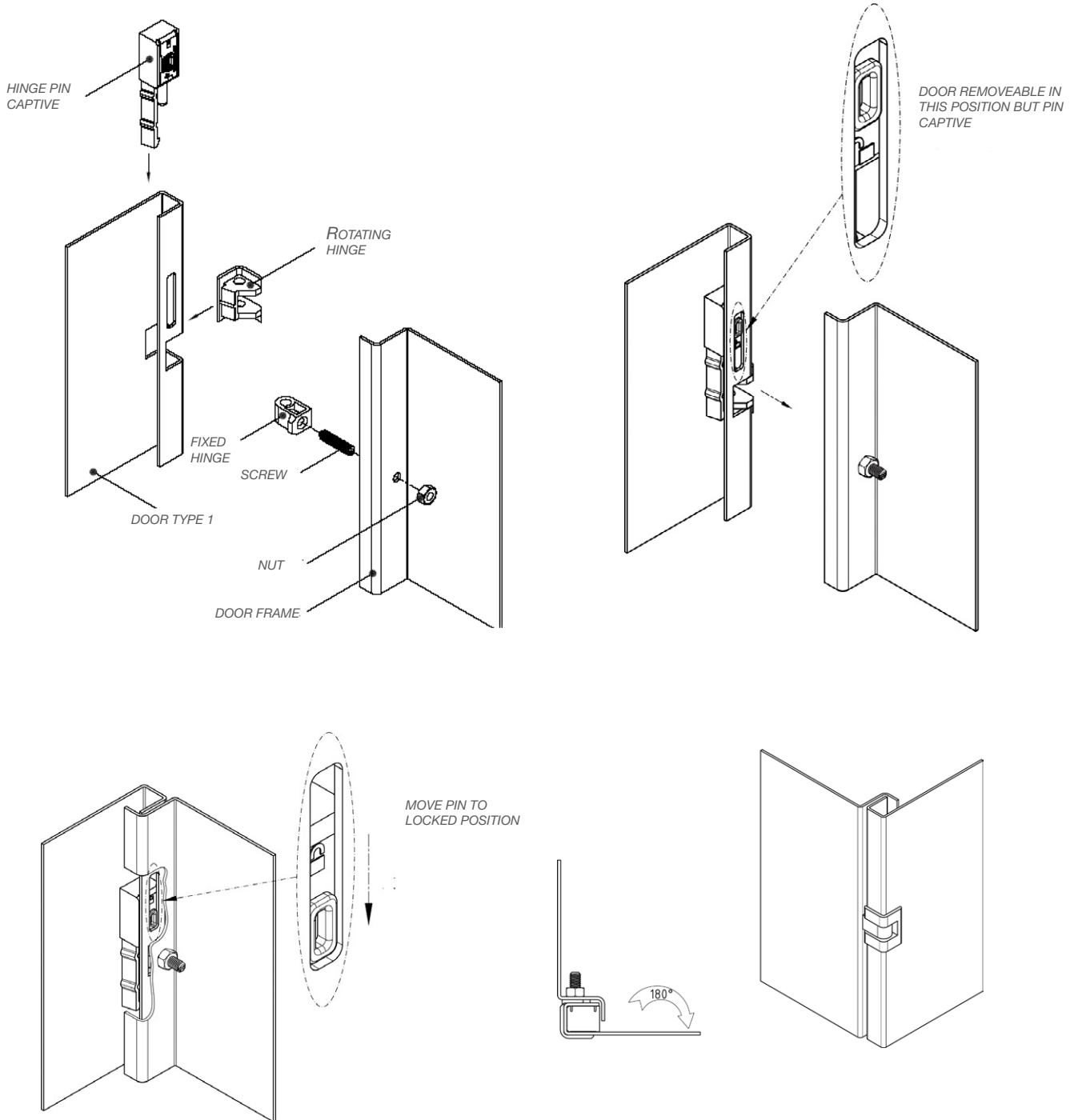
For Door version 2

FINISH	PIN STYLE	PART NUMBER
Black satin EDP coated	Style 7	PI5103-B-7-1-S

Patent/design registration applied for

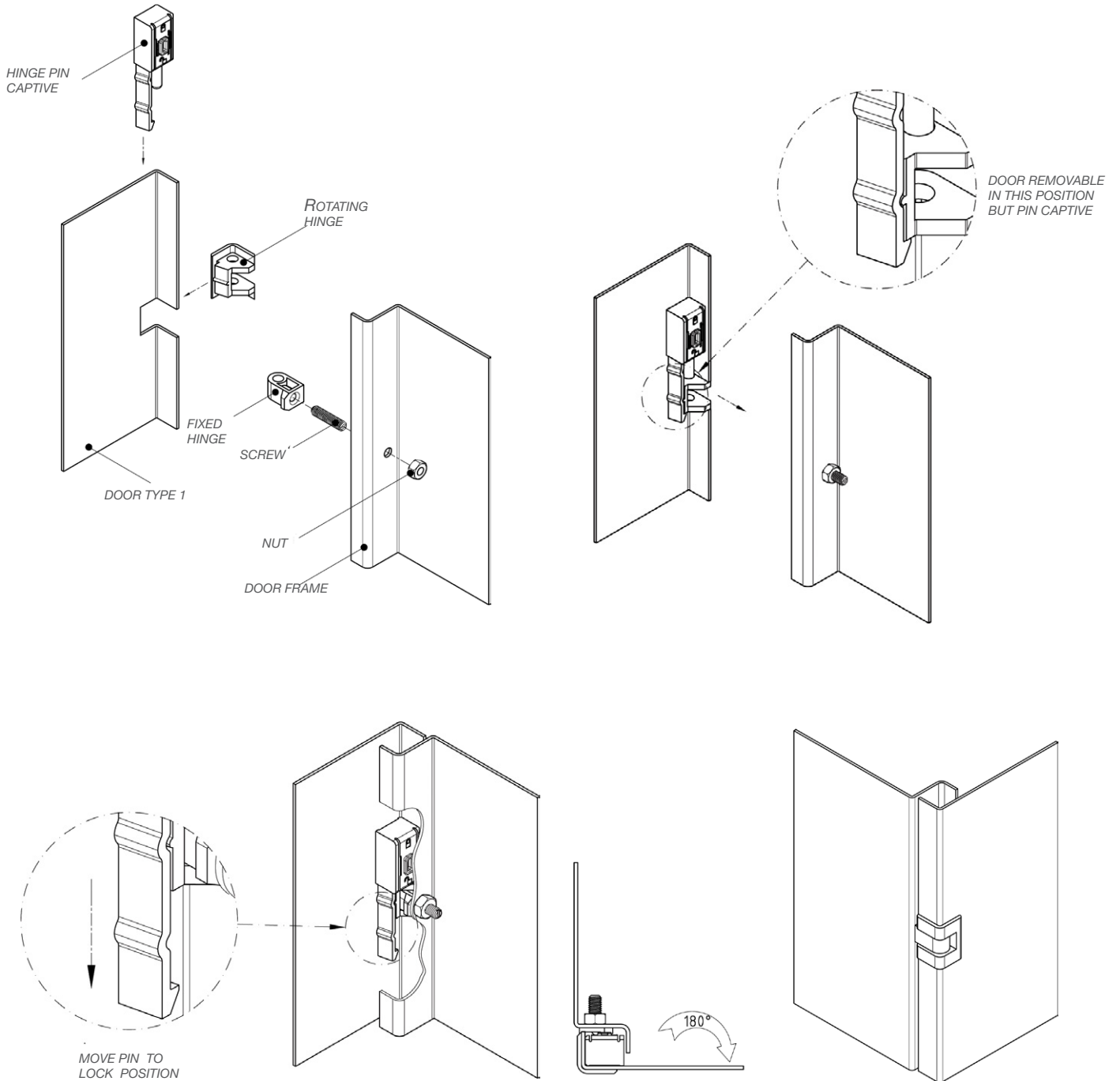
INSTALLATION DIAGRAM

INSTALLATION DIAGRAM FOR DOOR TYPE 1

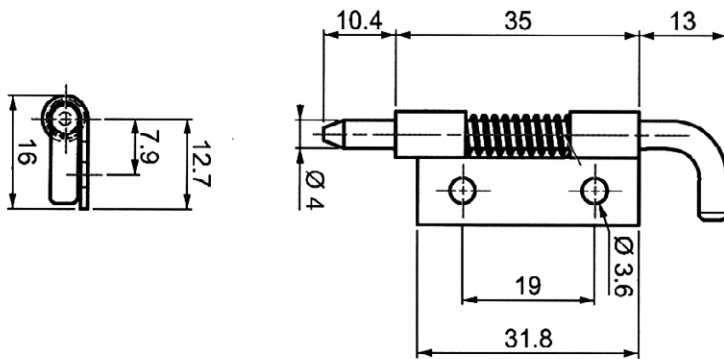


INSTALLATION DIAGRAM

INSTALLATION DIAGRAM FOR DOOR TYPE 2



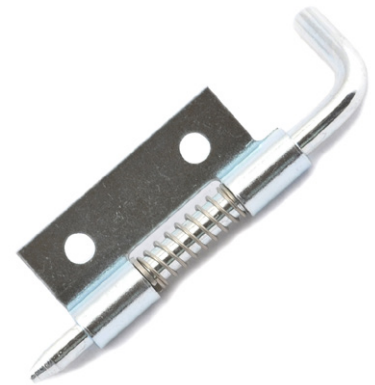
SELECTLOK
STAINLESS
STEEL



SPRING LOADED HINGE

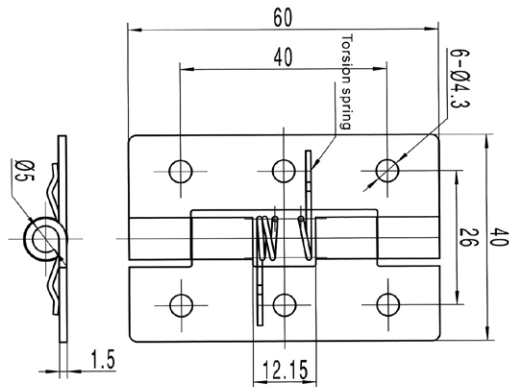
FEATURES:

- Can be screwed or welded on
- Suitable for left or right hand applications
- Pin diameter: 4mm



MATERIAL	FINISH	PART NUMBER
Stainless steel	-	M289-4-0-1

SELECTLOK
STAINLESS
STEEL



SPRING LOADED BUTT HINGE

FEATURES:

- Stainless steel
- For self-closing applications

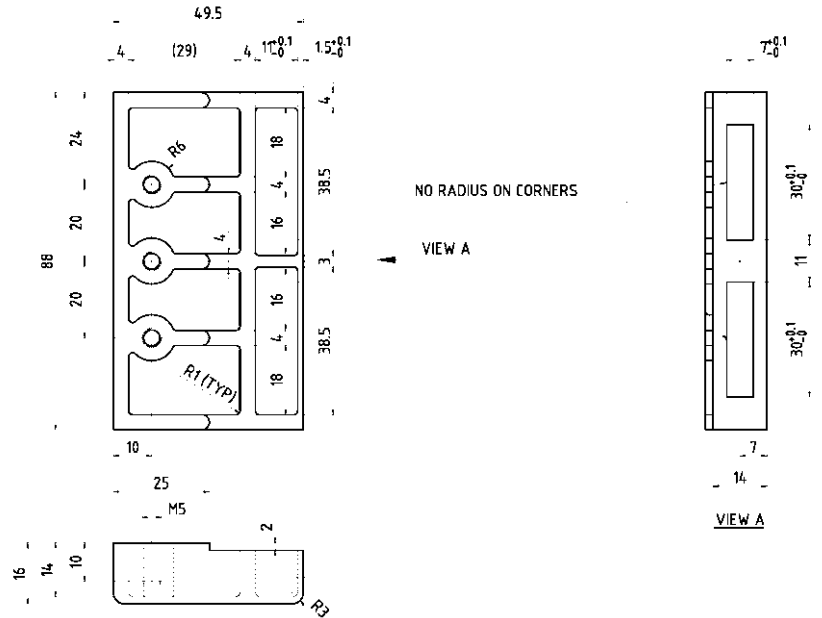
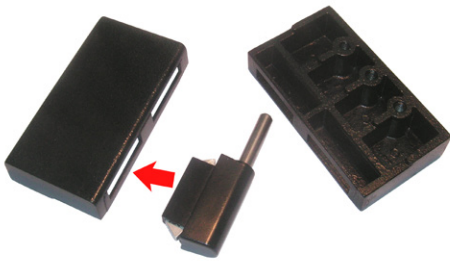


MATERIAL	PART NUMBER
Stainless steel	CL253-6

GLASS DOOR HINGE

MATERIAL & FINISH:

- Adaptor plate for glass doors
- To suit Dirak Snap-Line hinge part no. 417-9015.00-01216
- Left or right hand applications
- Zinc die cast/black powder coated

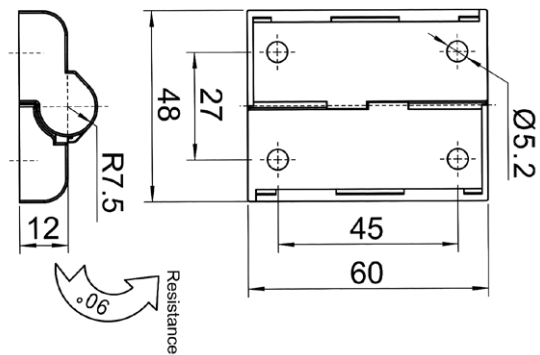


MATERIAL	FINISH	PART NUMBER
Zinc die cast	Black powder coated	P3185

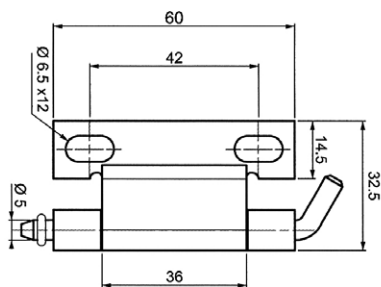
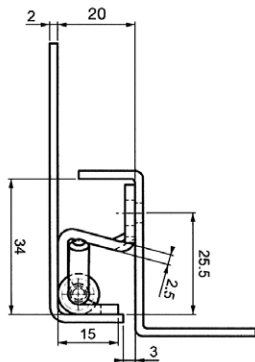
TORQUE BUTT HINGE

FEATURES:

- Zinc die cast/nanometer plating
- Stainless steel shaft
- 90° rotation



MATERIAL	FINISH	PART NUMBER
Zinc die cast	Silver nanometer	CL299-1-Z



SELECTLOK
STAINLESS
STEEL

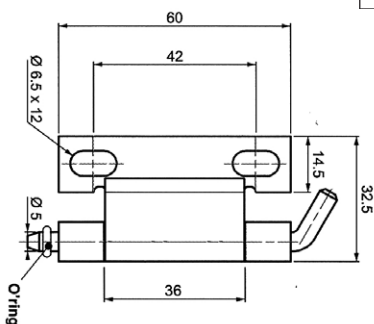
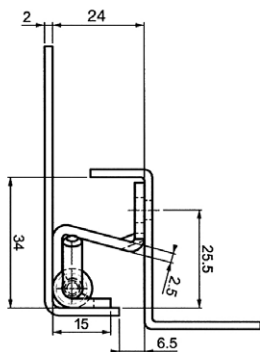
CONCEALED HINGE

FEATURES:

- For doors with bending of 20mm
- Frame part screw on
- Door part weld on



MATERIAL	FINISH	PART NUMBER
Mild steel	Zinc plated	M295-6-3-1
Stainless steel	-	M295-4-0-1



SELECTLOK
STAINLESS
STEEL

CONCEALED HINGE

FEATURES:

- For doors with bending of 24mm
- Frame part screw on
- Door part weld on

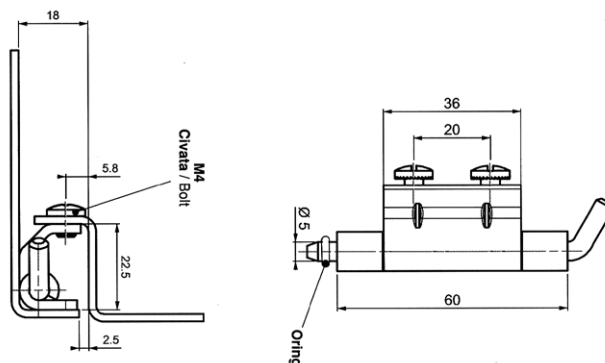


MATERIAL	FINISH	PART NUMBER
Stainless steel	-	M295-4-0-2

CONCEALED HINGE

FEATURES:

- For doors with bending of 18mm
- Frame part is screwed on, door part is either welded on or screwed on
- LH and RH application is possible
- Body steel, zinc plated welding part steel, copper plated

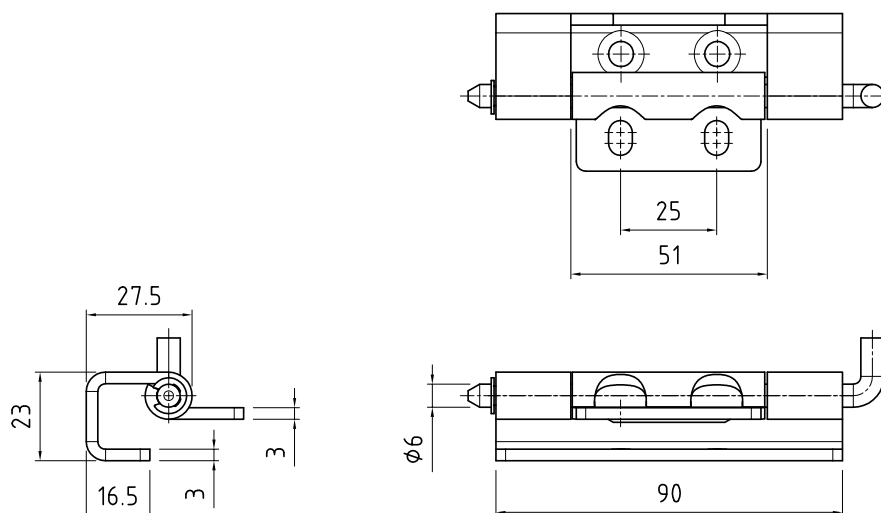


MATERIAL	FINISH	PART NUMBER
Mild steel	Zinc plated	M695-6-3-1
Stainless steel	-	M695-4-0-1

CONCEALED HINGE

FEATURES:

- Heavy duty application
- RH or LH application
- Used for surface-mounted doors
- Maximum opening angle 120°
- Oblong and countersunk holes for M6

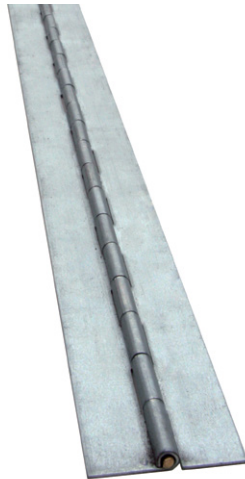
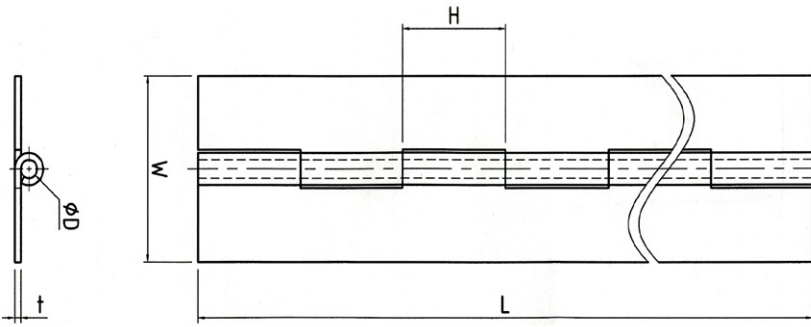


MATERIAL	FINISH	PART NUMBER
Mild steel	Zinc plated	PI5373-01-MS
Mild steel	Aluminium untreated	PI5373-01-AL
Stainless steel	Stainless steel	PI5373-01-SS

PIANO HINGE

FEATURES:

- Zero spangle galvabond material or 304 stainless steel available
- Available in custom lengths (MOQ 2000 lengths)

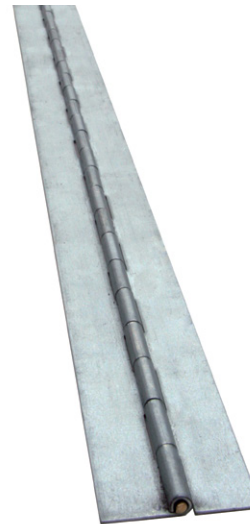
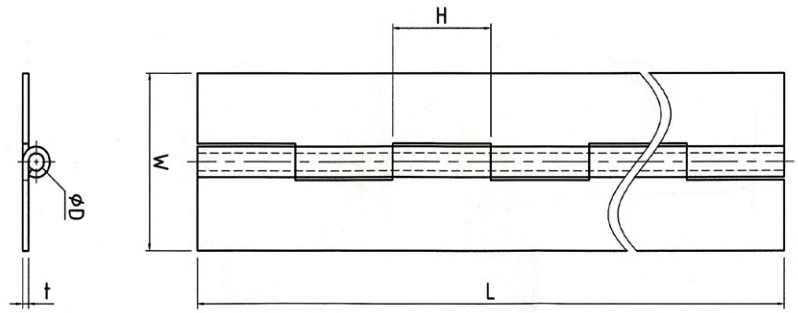


MATERIAL	W OPEN WIDTH (mm)	H KNUCKLE WIDTH (mm)	T MATERIAL THICK. (mm)	D PIN DIA. (mm)	L LENGTH (mm)	PART NUMBER
GALVABOND WITH BRASS PIN	32	13	1.2	3.18	1800	HIP32
	38	13	1.2	3.18	1800	HIP38
	50	13	1.2	3.18	1800	HIP50
304 GRADE STAINLESS STEEL WITH STAINLESS STEEL PIN	32	13	1.2	3.18	1800	HIP32-SS
	38	13	1.2	3.18	1800	HIP38-SS
	50	13	1.2	3.18	1800	HIP50-SS
	57	24.5	1.6	5	2200	HIP57SS-2200
304 GRADE STAINLESS STEEL WITH STAINLESS STEEL PIN WITH 15 PUNCHED HOLES	50	13	1.2	3.18	1800	HIP50-SS-H

PIANO HINGE

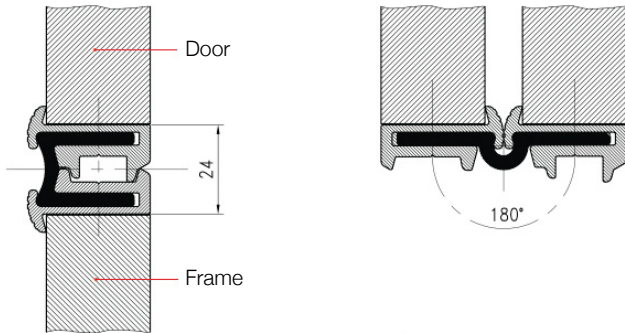
FEATURES:

- Zero spangle galvabond material or 304 stainless steel available
- Pin diameter: 2.5 mm
- Available in custom lengths (MOQ 2000 lengths)



MATERIAL	W OPEN WIDTH (mm)	H KNUCKLE WIDTH (mm)	T MATERIAL THICK. (mm)	D PIN DIA. (mm)	L LENGTH (mm)	PART NUMBER
GALVABOND BOND WITH BRASS PIN	32	9	1.0	2.5	1000	HIP32-1000-N
	38	9	1.0	2.5	1800	HIP38-N
	50	9	1.0	2.5	1000	HIP50-1000-N
	50	9	1.0	2.5	1800	HIP50-N
304 GRADE STAINLESS STEEL WITH STAINLESS STEEL PIN	32	9	1.0	2.5	1000	HIP32SS-1000-N
	50	9	1.0	2.5	1800	HIP50SS-N

POLIALL HINGE

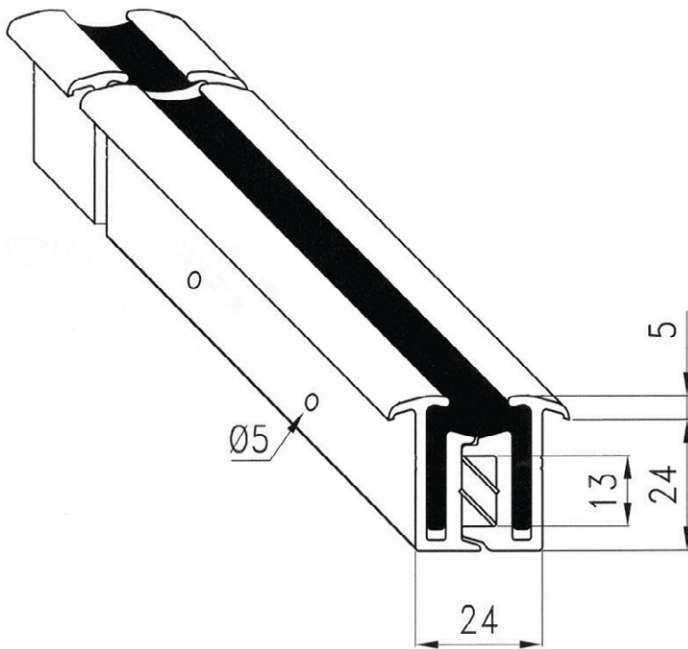


FEATURES:

- Pre-drilled holes dia. 5.0mm
- Temperature range: -20°C to +40°C
- 30,000 cycles of opening/closing

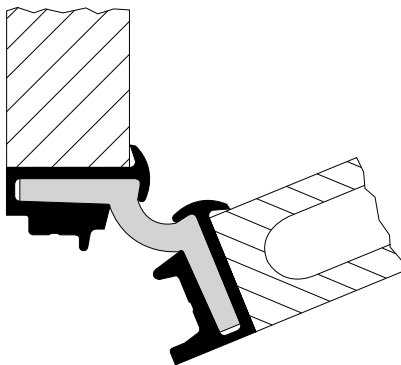
MATERIAL:

- Natural Anodized Aluminium
- Black Polyuretan



LENGTH (mm)	PRE-DRILLED HOLE DIAMETER (mm)	PART NUMBER
1800	5.0	631218-E
2200	5.0	631222-E
2400	5.0	631224-E

TILA CONTINUOUS HINGE



ADVANTAGES:

- Suitable for doors, tailgates, covers and flaps.
- Only minimal external protrusion. A contribution towards road safety since the risk of injury caused by dangerous, protruding fittings, is eliminated.
- Hinge and seal all-in-one - along the entire length.
- Absolute precision - when in the closed position the two aluminium profiles interlock together. They can only be dismantled when the door, tailgate, cover are open. Forced entry can only be made by cutting the plastic profile, leaving behind visible evidence.
- Virtually no wear.
- Totally maintenance free - has been in practical use for more than two decades, primarily in the bodywork and vehicle area, tried and tested.
- Supplied ready-assembled in standard and special lengths (by request).

THE FUNCTION

The 'hinge' takes a specially moulded plastic profile made from a special POLYURETHANE elastomer with permanent elasticity and high tear resistance. Opening angles of more than 180° or 270° are achieved depending upon the profile design. Continuous stress when in the open position requires the use of a holding mechanism to keep the hinge open, e.g. in the case of doors - a Door retainer.

POTENTIAL USES

Can be fitted to doors, tailgates, lids of all kind, as single element or as an add-on unit (for so-called folding or concertina designs), in bodywork and vehicle construction, for boot and van fixings, sales vehicles and buses etc. For use wherever flaps, lids and doors are required.

INSTALLATION

Is extremely simple since the TILA continuous hinge is supplied in the open position using spacers and with holes already pre-drilled, ready for installation.

1. Attach the TILA continuous hinge to door, flap or lid.
2. Fit the installation element to the installation frame and attach the 2nd blade of the TILA continuous hinge to it.
3. If you open the door, flap or lid further out the spacers fall out and the door, flap or lid is hinged and ready to use.

As with many 'synthetic' materials, care should be taken when subjecting the hinge to specific and specialised influences which may have unexpected detrimental effects. These include, amongst others hydrolysis, microbe infestation, sudden mechanical stresses (e.g. sudden opening) in conjunction with extremely low temperatures, corrosive acids, alkaline solutions and cleaning agent additives.

Moreover, we would ask you to consult us if you have any enquiries so we can provide you with optimum advice. The above mentioned technical data, information and recommendations are intended as a guide but is not binding! These reflect our latest knowledge at the time this product information was submitted for printing and does not exempt the user from carrying out their own precise examination of the potential uses for our products in each individual case.

We reserve the right to carry out design modifications.
The technical data is intended as a guide but is not binding!

TILA HINGE

FEATURES:

- Pre-drilled holes dia. 4.0mm, gap 100mm
- Temperature range: -40°C to +80°C
- Hydrolysis and bacteria resistant
- Pack size: 2 off in sealed plastic wrapping

MATERIAL:

- Aluminium profile - AlMgSi 0.5 anodised, E6 EV1, matt silver colour
- Polyurethane elastomer plastic profile, black

* Special lengths/special bores and distances between holes available on request.

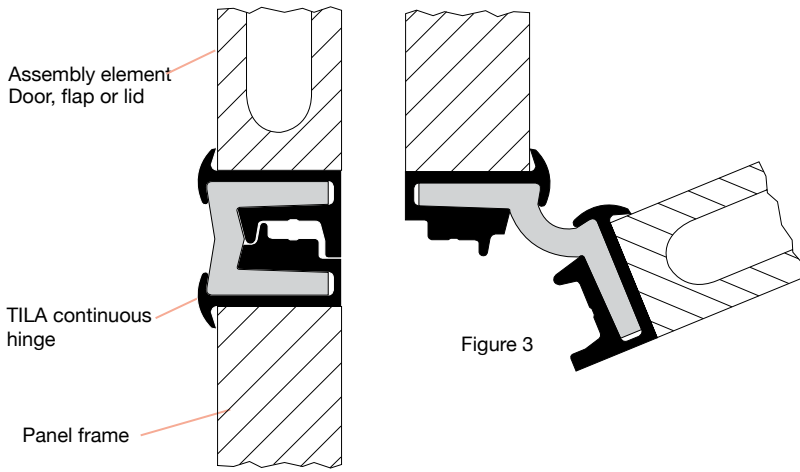
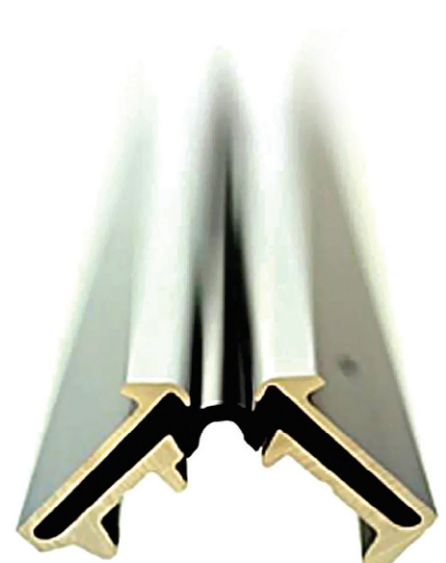
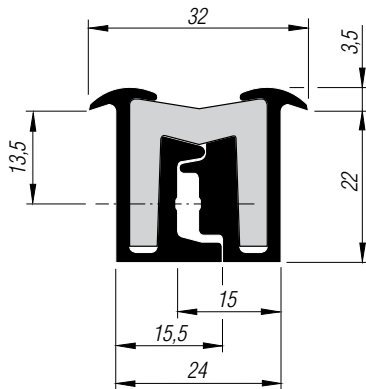


Figure 3

Figure 2

Suggested installation, non-binding - particularly important for flaps and lids.
The TILA 22/180° continuous hinge should be installed as shown in Figure 2 and 3.
Note the correct arrangement of the various aluminium clamping profiles on the panel and assembly element.

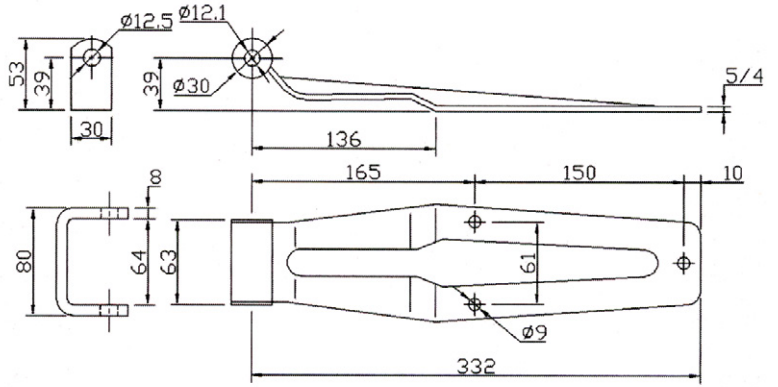


LENGTH (mm)	NO. OF HOLES	APPROX WEIGHT CAPACITY (ea) KG	PART NUMBER
1800	18	205	631218
2200	22	250	631222
2400	24	275	631224
2700	27	310	631227

REAR DOOR LEAF HINGE

FEATURES:

- Heavy duty construction
- Supplied with mounting bracket, bolts & nuts

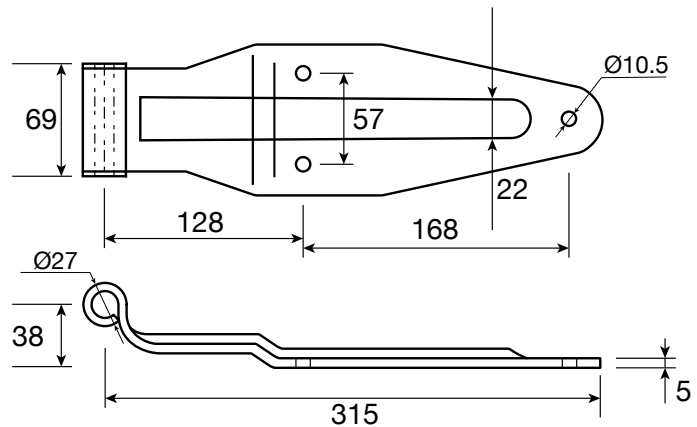


MATERIAL	FINISH	PART NUMBER
Mild steel	Zinc plated	031000
Mild steel	White powder coated	031000P

REAR DOOR LEAF HINGE

FEATURES:

- Heavy duty construction
- Supplied with mounting bracket, bolts & nuts
- Comes unassembled



MATERIAL	FINISH	PART	PART NUMBER
Mild steel	Zinc plated	Normal weld on butt with pin kit	60032-KIT1
Mild steel	Zinc plated	Weld on offset butt with pin kit	60032-KIT2
Mild steel	Zinc plated	Leaf hinge only	60032-L
Mild steel	Zinc plated	Straight butt only	60032-B1
Mild steel	Zinc plated	Offset butt only	60032-B2

BRACKET

FEATURES:

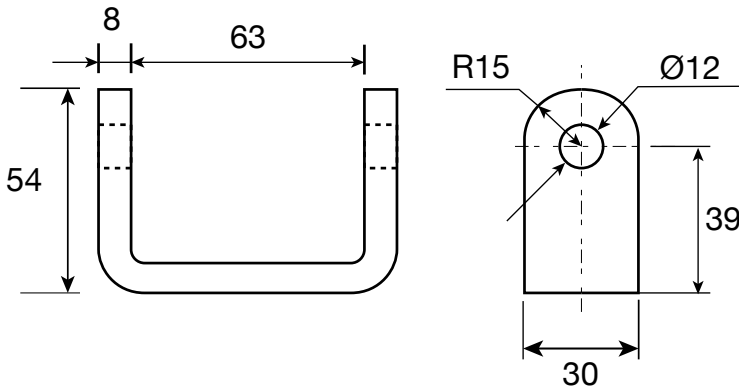
- Material: Steel/Stainless steel
- Weight: Steel = 0.3kg
- Surface: Zinc plated/Polished



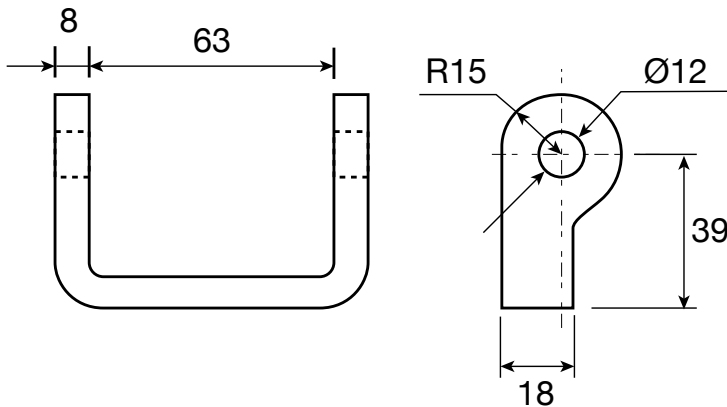
BRACKET

FEATURES:

- Material: Steel/Stainless steel
- Weight: 0.288kg
- Surface: Zinc plated/Polished



MATERIAL	FINISH	PART NUMBER
Steel	Zinc plated	112001



MATERIAL	FINISH	PART NUMBER
Steel	Zinc plated	112003

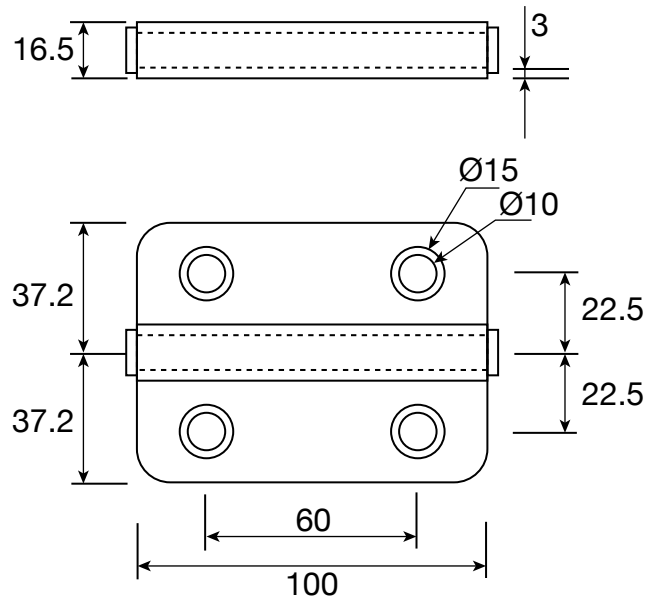
HINGE

FEATURES:

- Lift-off hinge with washer
- Material: Stainless steel
- Other size upon request



SELECTLOK
STAINLESS
STEEL

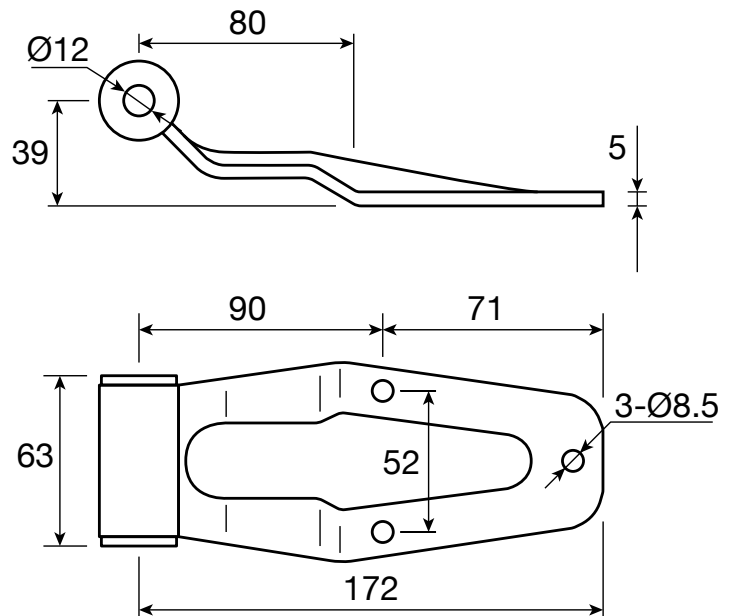


MATERIAL	OPENING	PART NUMBER
Stainless steel	Right	HIB100x75R-SS
Stainless steel	Left	HIB100x75L-SS

HINGE

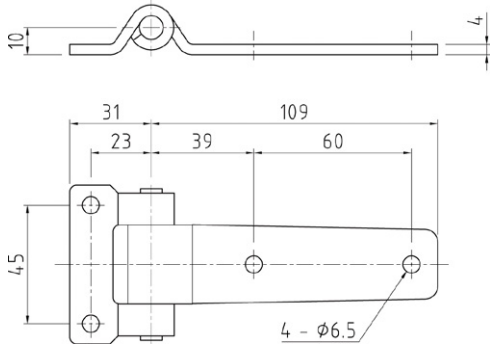
FEATURES:

- Material: Steel
- Weight: Steel = 0.582kg
- Surface: Zinc plated/Polished



MATERIAL	FINISH	PART NUMBER
Steel	Zinc plated	111031

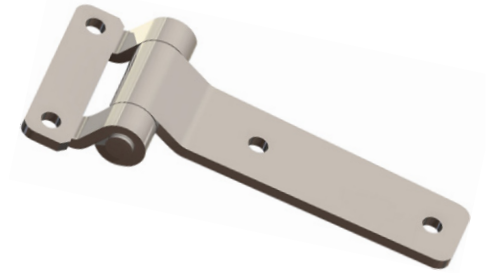
SELECTLOK
STAINLESS
STEEL



DOOR HINGE

MATERIAL & FINISH:

- Stainless steel
- Polished



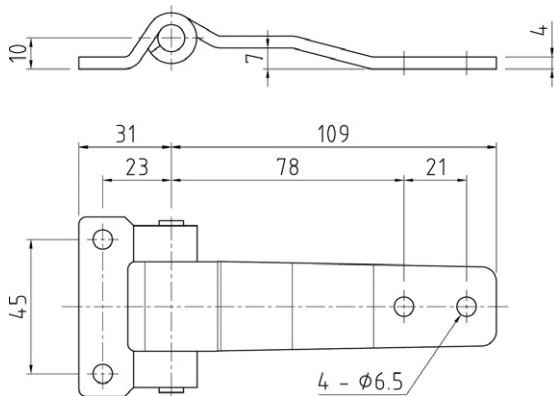
MATERIAL

Stainless steel

PART NUMBER

113040-S

SELECTLOK
STAINLESS
STEEL



DOOR HINGE

MATERIAL & FINISH:

- Stainless steel
- Polished



MATERIAL

Stainless steel

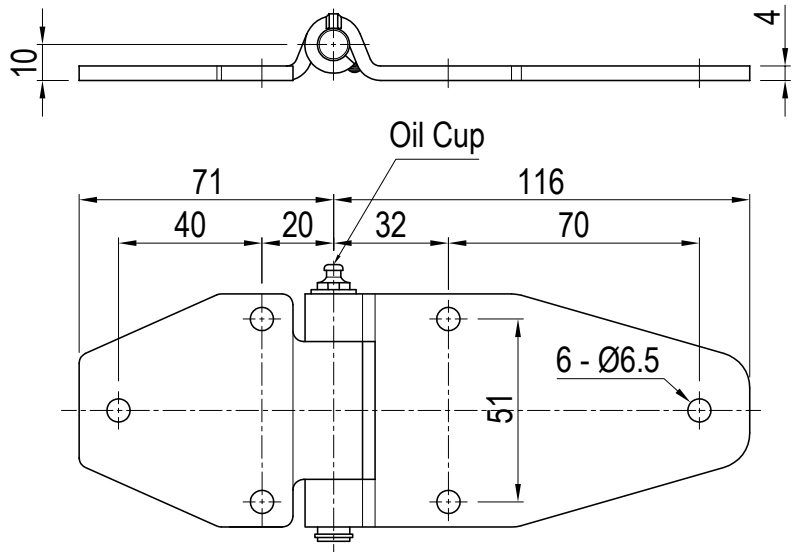
PART NUMBER

113050-S

HINGE

FEATURES:

- Material: Stainless steel
- Weight: Stainless steel = 0.336kg
- Surface: Polished

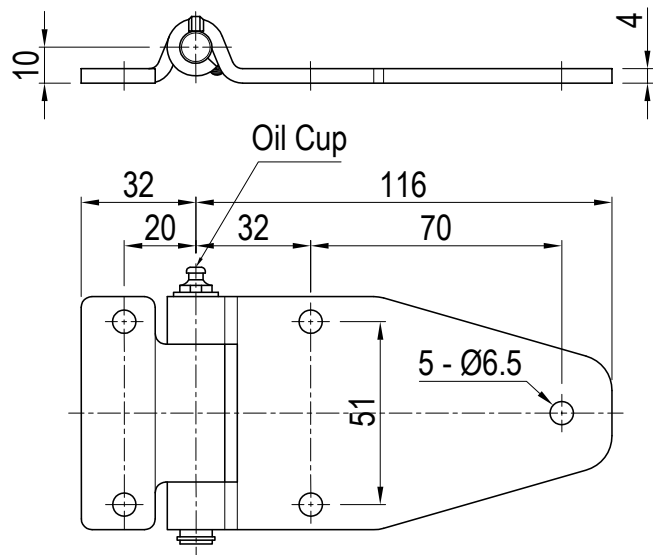


MATERIAL	FINISH	PART NUMBER
Stainless steel	-	113020-S-L
Stainless steel	-	113020-S-R

HINGE

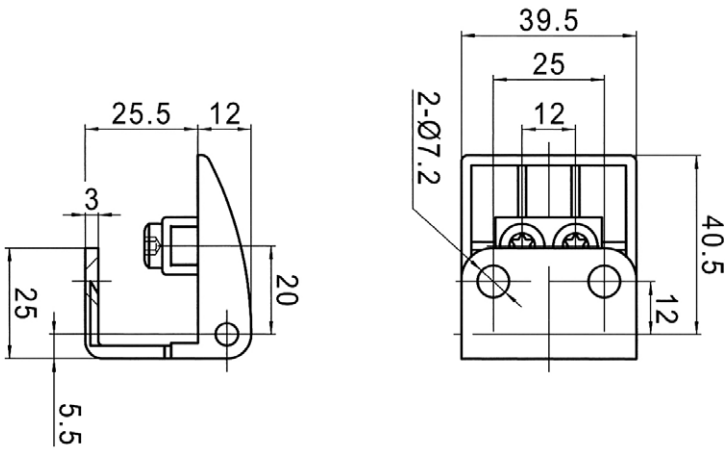
FEATURES:

- Material: Steel/Stainless steel
- Weight: Steel = 0.326kg, Stainless steel = 0.316kg
- Surface: Zinc plated/Polished



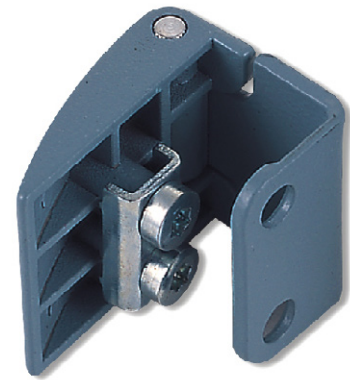
MATERIAL	FINISH	PART NUMBER
Steel	Zinc plated	113030-R
Stainless steel	-	113030-S-L
Stainless steel	-	113030-S-R

SEMI CONCEALED HINGE



FEATURES:

- For doors with bending of 25.5mm
- Zinc die cast

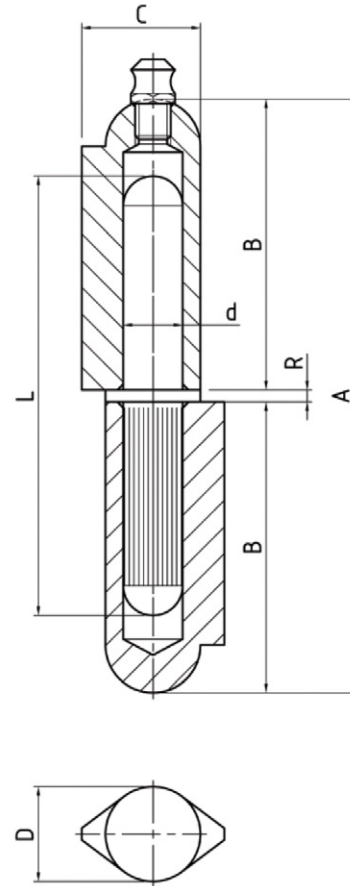


MATERIAL	FINISH	PART NUMBER
Zinc die cast	Black powder coated	CL202-2-BLK
Zinc die cast	Zinc die cast	CL202-2-BRACKET

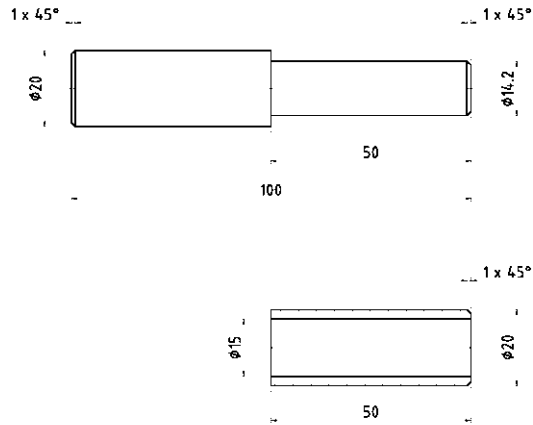
WELD ON HINGE

FEATURES:

- For weld-on applications
- Grease nipple



MATERIAL	A	B	C	R	D	L	d	BOX LOT	PART NUMBER
Aluminium	60	29	12.5	2	10	30	6	24	WOH-60-A
Aluminium	80	39	16	2	13	40	8	24	WOH-80-A
Aluminium	100	49	20	2	16	50	10	24	WOH-100-A
Aluminium	120	59	20	2	16	60	10	12	WOH-120-A
Steel, no grease nipple	60	29	12.5	2	10	30	6	24	WOH-60-S
Steel, no grease nipple	80	39	16	2	13	40	8	24	WOH-80-S
Steel, no grease nipple	120	59	20	2	16	60	10	12	WOH-120-S
Steel	60	29	12.5	2	10	30	6	24	WOH-60-S01
Steel	80	39	16	2	13	40	8	24	WOH-80-S01
Steel	100	49	20	2	16	50	10	24	WOH-100-S01
Steel	120	59	20	2	16	60	10	12	WOH-120-S01
Steel	150	74	25	2	20	75	13	12	WOH-150-S01
Steel	200	99	28.5	2	23	100	16	12	WOH-200-S01
Stainless steel	60	29	12.5	2	10	30	6	24	WOH-60-SS
Stainless steel	80	39	16	2	13	40	8	24	WOH-80-SS
Stainless steel	100	49	20	2	16	50	10	24	WOH-100-SS
Stainless steel	120	59	20	2	16	60	10	12	WOH-120-SS



BULLET HINGE

FEATURES:

- For weld-on applications

MATERIAL:

- Mild steel



"A" DIMENSION	"B" DIMENSION	"C" DIMENSION	PART NUMBER
20 mm	100 mm	50 mm	P3235

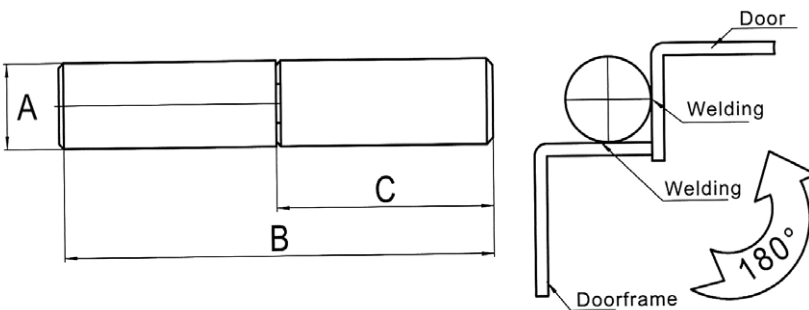
BULLET HINGE

FEATURES:

- For weld-on applications

MATERIAL:

- Mild steel/zinc plated
- Brass spacer



"A" DIMENSION	"B" DIMENSION	"C" DIMENSION	PART NUMBER
10 mm	60 mm	30 mm	CL270-4
14 mm	120 mm	60 mm	CL270-3

