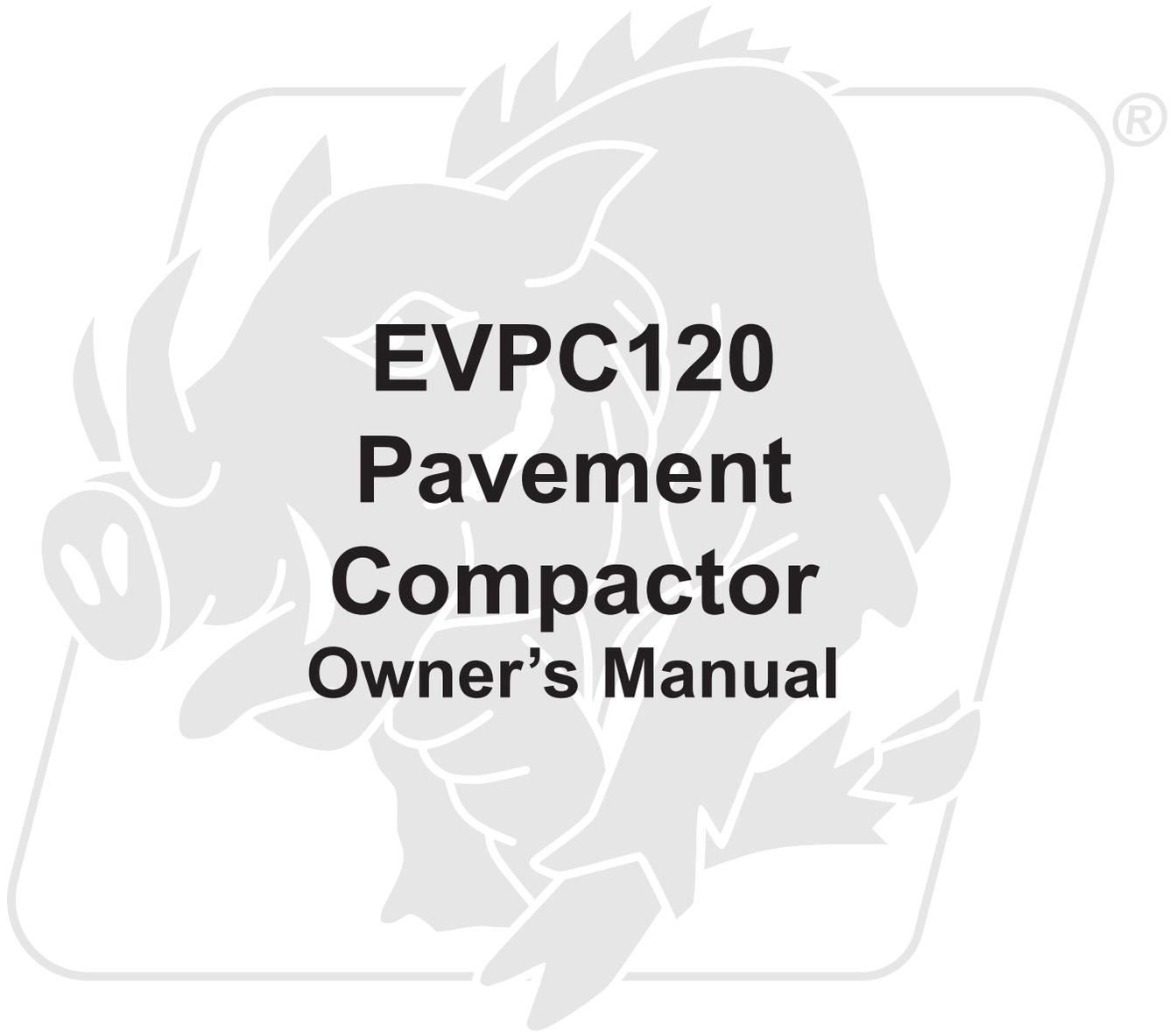




Before using this Pavement Compactor, study and understand the entire Owner's Manual.

Serial Number _____



EVPC120 Pavement Compactor Owner's Manual



Pavement Compactor
EZG MANUFACTURING
1-800-417-9272

EZG Manufacturing
405 Watertown Road
Waterford, Ohio 45786
(740) 749-3512 or 1-800-417-9272
Fax (740) 962-2037 www.ezgmfg.com

TABLE OF CONTENTS

INTRODUCTION.....	3
ABOUT THIS MANUAL.....	3
GENERAL INFORMATION.....	3
SAFETY INFORMATION.....	3
SAFETY PRECAUTIONS.....	4-5
CALIFORNIA PROPOSITION 65 WARNING.....	6
MACHINE DESCRIPTION.....	6
PRE-START CHECKS.....	7
START & STOP PROCEDURE.....	7
OPERATION.....	8
SERVICE & MAINTENANCE.....	8
WARNING LABELS AND LOCATIONS.....	9
EXCITER HOUSING ASSEMBLY.....	10
MAIN FRAME ASSEMBLY.....	11
ENGINE & CLUTCH ASSEMBLY.....	12
OPERATION HANDLE ASSEMBLY.....	13
NOTES / SERVICE RECORDS.....	14
WARRANTY.....	15
WARRANTY REGISTRATION.....	16

INTRODUCTION

Congratulations on purchasing one of the finest pieces of construction equipment on the market today! If this is your first EZG Manufacturing product, you will not be disappointed. If you have previously owned an EZG Manufacturing product, you will find the same high quality and dependability that you have come to expect from EZG Manufacturing.

ABOUT THIS MANUAL

The purpose of this manual is to inform the owner/employer/and the operator, how to safely operate this piece of equipment, and make them aware of any hazards. It also contains important information regarding assembly, set up, operation, and maintenance. It is the Owner/Employer's responsibility to make sure that anyone who operates this machine understands all safety warnings. If you do not understand any items in this manual, please contact the dealer where this product was purchased, or the manufacturer at the number listed throughout this manual. If you have any suggestions about how to make this manual easier to understand, contact the manufacturer. Keep this manual available for reference wherever this piece of equipment is being used and make it available to any operators.

GENERAL INFORMATION

Illustrations in this manual may show details or components that may not be the same as your machine. Continuing improvements to the design of this machine may have caused changes that are not included in this manual. The information in this document is subject to change without notice.

SAFETY INFORMATION

The following safety symbols and signal words will be used throughout this manual and on the product, for your safety and the safety of others, please become familiar with their meaning and heed their warnings.

	This symbol, either used alone or with a signal word, is used to call your attention to instructions involving your safety and/or the safety of others. Failure to follow these instructions will likely result in personal injury or death.
 DANGER	This signal word is used to identify a hazard which, if not avoided, will result in death or serious injury.
 WARNING	This signal word is used to identify a hazard which, if not avoided, could result in death or serious injury.
 CAUTION	This signal word is used to identify a hazard which, if not avoided, could result in minor or moderate injury.
NOTICE	This signal word is used to identify a hazard which, if not avoided, could result in property or equipment damage. It also may be used for special instructions related to performance, maintenance or general items.

SAFETY PRECAUTIONS



WARNING

Failure to obey the following safety instructions could result in **DEATH** or **SERIOUS INJURY**.

Read and understand entire manual before operating the Pavement Compactor.

For your safety and the safety of others, replace any missing or damaged warning decals by contacting the manufacturer at 1-800-417-9272.

Make sure anyone operating the Pavement Compactor is thoroughly familiar with its operation. Keep all unauthorized and untrained personnel, especially children, away from Pavement Compactor.



Improper maintenance can be hazardous. Read and understand this section before you perform any maintenance, service or repairs.

General Safety

- The owner of this machine must observe, and also train the user of the machine to observe, the effective labour protection laws in the country of application.
- Use suitable lifting equipment to lift the machine.
- This machine is to be used for its intended application only.
- This machine must only be operated by well-trained personnel.
- Personal Protective Equipment (PPE) must be worn by the operator whenever the equipment is being used.
- The machine must be operated on ground where stability is guaranteed. When working near the rim of excavated trenches, keep a sensible distance from the edge so that there is no danger of the machine falling down or the trench collapsing.
- Cordon off the work area and keep members of the public and unauthorised personnel at a safe distance.
- Make sure you know how to safely switch this machine OFF before you switch it ON in case you run into any difficulties.
- Always switch OFF the engine before servicing it.
- During use, the engine becomes very hot. Always allow the engine to cool down before touching it.
- Never leave the engine running and unattended.
- Never remove or tamper with any fitted guards; they are there for your own protection. If they are damaged or missing, **DO NOT USE THE MACHINE** until the guard has been replaced or repaired.
- Always switch OFF the engine before transporting it, moving it around site or servicing it.
- Do not operate the machine when you are ill, feeling tired or when under the influence of alcohol or drugs.
- If the surface to be compacted is on a slope, take great care when controlling the Pavement Compactor's direction of travel. Always work up and down a slope; not across.
- This machine is designed to eliminate the possible risks arising from the use of it. However, risks DO reside, and these residual risks are not clearly recognisable and may cause personal injury or property damage, and possibly death. If such unpredictable and unrecognisable risks become apparent, the machine must be stopped immediately, and operator or his supervisor must take appropriate measure to eliminate such risks. It is sometimes necessary that the manufacturer must be informed of such event for future counter measuring.

SAFETY PRECAUTIONS



WARNINGS (*continued*)



Fuel is flammable. It may cause injury and property damage. Shut down the engine, extinguish all open flames and do not smoke while filling the fuel tank. Always wipe up any spilled fuel.

Fuel Safety

- Before re-fuelling, switch off the engine and allow it to cool.
- When re-fuelling, use a proper funnel, and avoid spilling over the engine.
- When re-fuelling, DO NOT smoke or allow naked flames in the area.
- Spilt fuel must be made safe immediately by using sand. If fuel is spilt on your clothes, change them.
- Store fuel in an approved, purpose made container away from heat and sources of ignition.

Health & Safety

Vibration

Some vibration from the compacting operation is transmitted through the handle to the operator's hands. Ensure operator rotation and do not exceed the maximum recommended usage times.

Dust

The compaction process can produce dust, which may be hazardous to your health. Always wear a mask that is suited to the type of dust being produced.

Fuel

Do not ingest fuel or inhale fuel vapors and avoid contact with your skin. Wash fuel splashes immediately. If you get fuel in your eyes, irrigate with copious amounts of water and seek medical attention as soon as possible.



The exhaust fumes produced by this machine are highly toxic and can kill!

Exhaust Fumes

Do not operate the Pavement Compactor indoors or in confined spaces. Make sure the work area is adequately ventilated.

California - Proposition 65 Warning

Engine exhaust and some of its constituents, and some dust created by power sanding, sawing, grinding, drilling, and other construction activities contains chemicals known to the State of California to cause cancer, birth defects and other reproductive harm. Some examples of these chemicals are:

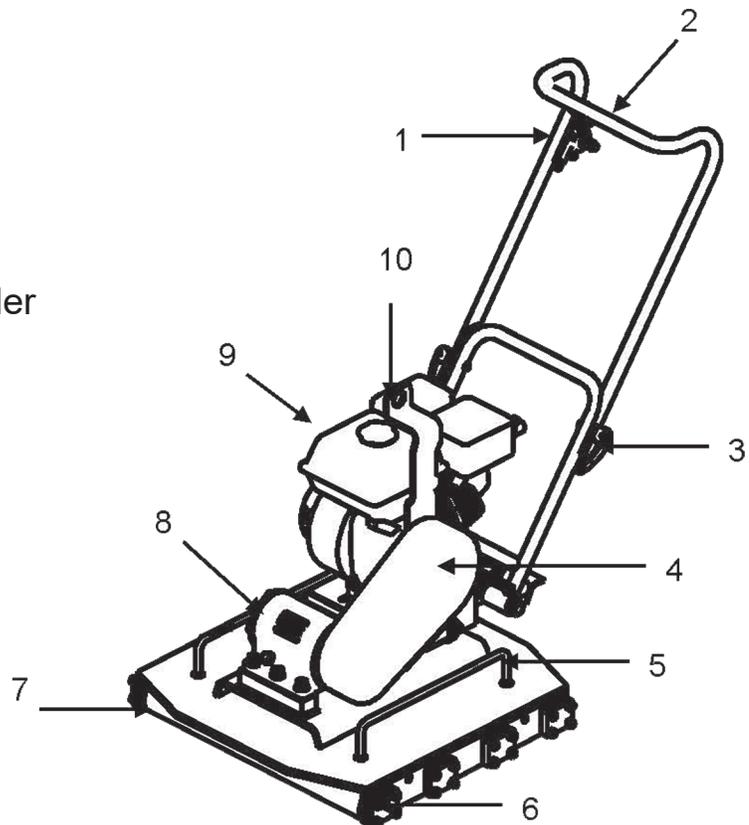
Lead from lead based paints - Crystalline silica from bricks -Cement and other masonry products -Arsenic and chromium from chemically treated lumber

Your risk from these exposures varies, depending on how often you do this type of work. To reduce your exposure to these chemicals: ALWAYS work in a well ventilated area, and work with approved safety equipment, such as dust masks that are specially designed to filter out microscopic particles.

MACHINE DESCRIPTION

The EVPC120 Paver Compactor is designed for compacting paver slabs into the bedding sand, and to compact the poly sand into the joints while avoiding cracks, chips, scratches on the paver slabs – and minimizing dust! The EVPC120 weighs 271 lbs. and vibrates at a frequency of 5,640 – perfect for the paving slab applications as well as many other hardscape installations. Powered by the reliable Honda GX160 gasoline-powered engine, and utilizing four special rubber-coated rollers to protect the pavers, the EVPC120 is just the right machine for the professional hardscape contractor.

1. Throttle
2. Folding Operating Handle
3. Handle Adjuster
4. Belt Guard
5. Lifting Handle
6. Roller Bearing Cover
7. Rubber Coated Compacting Roller
8. Exciter Housing
9. Engine
10. Lifting Hook



PRE-START CHECKS

The following pre-start checks must be performed before the start of each work session or after every four hours of use, whichever is first. Please refer to the Service and Maintenance section for detailed guidance. If any fault is discovered, the Pavement Compactor must not be used until the fault is rectified.

1. Thoroughly inspect the machine for signs of damage, Make sure all guards are in place and secured.
2. Check hoses, filler openings, drain plugs and other areas for signs of leakage. Fix any leaks before operating.
3. Check the engine oil level and top up as necessary. Use proper engine oil with the proper viscosity (SAE 10W-30 is recommended).
4. Check the engine fuel level and top us as necessary. Use clean fuel. The use of contaminated fuel may damage the fuel system.
5. Check the air filter is clean. Excessive dirt/dust accumulation within the filter element will cause erratic engine operation. Clean the air filter element when it is contaminated (refer to the Service and Maintenance section).
6. Check for fuel and oil leaks.

START/STOP PROCEDURE

Before starting the engine, make sure that the Safety Switch is in the ON position and the Throttle Lever is set to the idle position.

1. Take the Pavement Compactor to where it is required. Use suitable lifting equipment to position the Pavement Compactor where it is necessary. Make sure the lifting equipment has a WLL (Working Load Limit) suitable for the Pavement Compactor weight. Attach suitable slings or chains only to the lifting point.
2. Never leave the engine running during transporting, even if it is for a short period of time.
3. Having carried out the checks listed in the 'pre-start' section, you may start the engine. EZG Pavement Compactors are fitted with a centrifugal clutch which allows the engine to run at idle speed without driving the Pavement Compactor. Centrifugal clutch will be engaged as the speed of engine is increased. For correct operation, the engine speed should be set to maximum.

Before Starting Gasoline Engine

4. Check the oil in the engine crankcase. Be sure to maintain the proper level per the engine manufacturer specifications. If the oil is dirty and in need of changing, follow the Engine User Manual instructions.
5. Check the fuel supply. Refer to Engine User Manual.

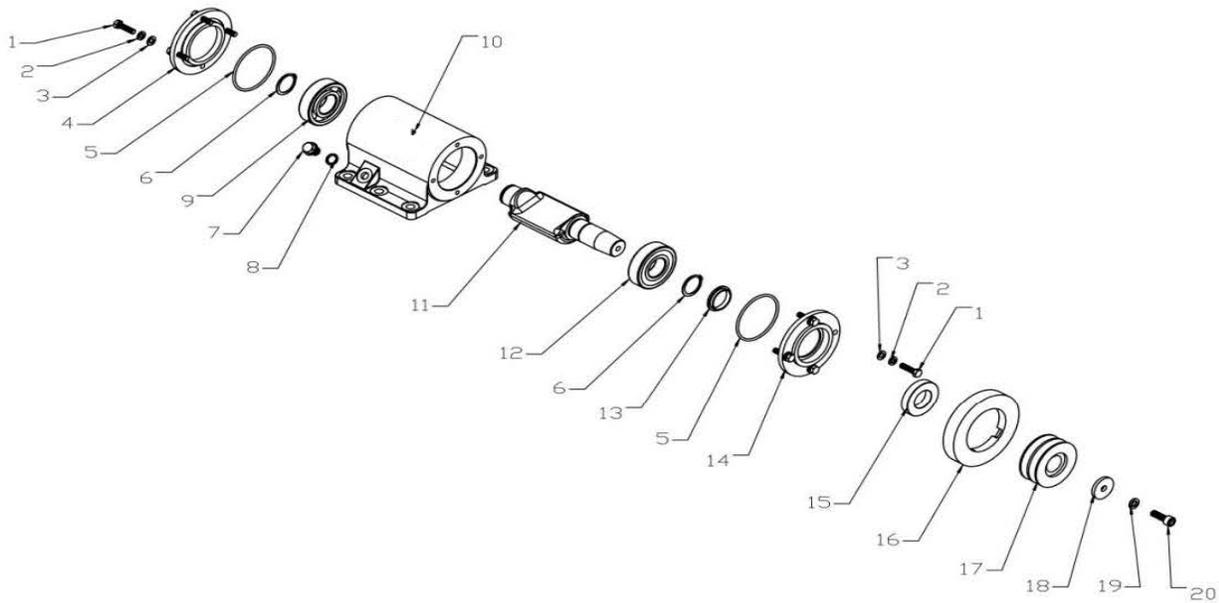
OPERATIONS

1. Run the engine at full throttle and push the Pavement Compactor along at a speed to provide the desired consolidation of the pavers, slabs, etc.
2. When operating on an incline it may be necessary to move in a lateral direction instead of up and down the incline.
3. Depending on the material being compacted, 3 or 4 passes are recommended to achieve the best consolidation.
3. When operating downhill hold the Pavement Compactor back slightly, if it begins to pick up speed.
4. Depending on the material being compacted, 3 or 4 passes are recommended to achieve the best compaction.

SERVICE & MAINTENANCE

The EZG Pavement Compactors are designed to give many years of trouble free operation. It is, however, important that the simple regular maintenance listed in this section is carried out. It is recommended that an approved EZG dealer carry out all major maintenance and repairs. Always use genuine EZG replacement parts, the use of spurious parts may void your warranty. Before any maintenance is carried out on the machine, switch off the engine and disconnect the HT lead from the spark plug. Always set the machine on level ground to ensure any fluid levels will be correctly read. Only use recommended oils.

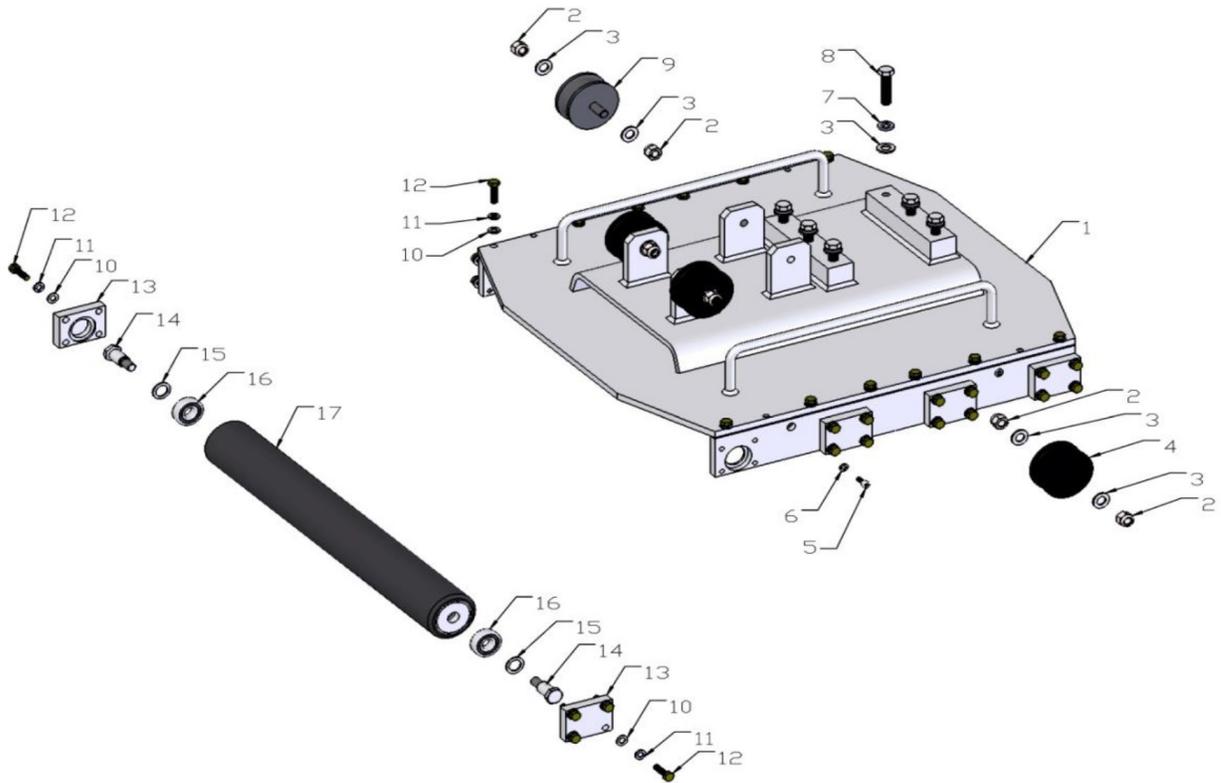
EXCITER HOUSING ASSEMBLY



NO.	PART NO.	PART DESCRIPTION	QTY.
01-1	FN.B-M8x30-8.8-DIN-1	BOLT	8
01-2	HSPG.W8-DIN-1	SPRING WASHER,TANG ENDS	8
01-3	FN.W8-DIN-1	WASHER	8
01-4	60-010400	CLOSE COVER	1
01-5	W04-80x3.5	O RING	2
01-6	CS.RG35	EXTERNAL CIRCLIP	2
01-7	HHOS.B-M14x1.5	HEXAGON HEAD PLUG	1
01-8	GB97.1-M14	CUPRUM WASHER	1
01-9	W01-6307-J	BEARING	1
01-10	60-010200E	EXCITER HOUSING	1
01-11	60-010100	EXCITER SHAFT	1
01-12	W01-6307Z-J	BEARING	1
01-13	60-010700	BUSH	1
01-14	60-010300	COVER	1
01-15	W03-65x35x12	OIL SEAL	1
01-16	60III-010500	COVER GUARD	1
01-17	60-060300	PULLEY	1
01-18	60-060301	WASHER	1
01-19	HSPG.W10-DIN-1	SPRING WASHER,TANG ENDS	1
01-20	90B-010800	VENT SCREW	1

PAVEMENT COMACTOR [EVPC120] EXCITER HOUSING ASSEMBLY

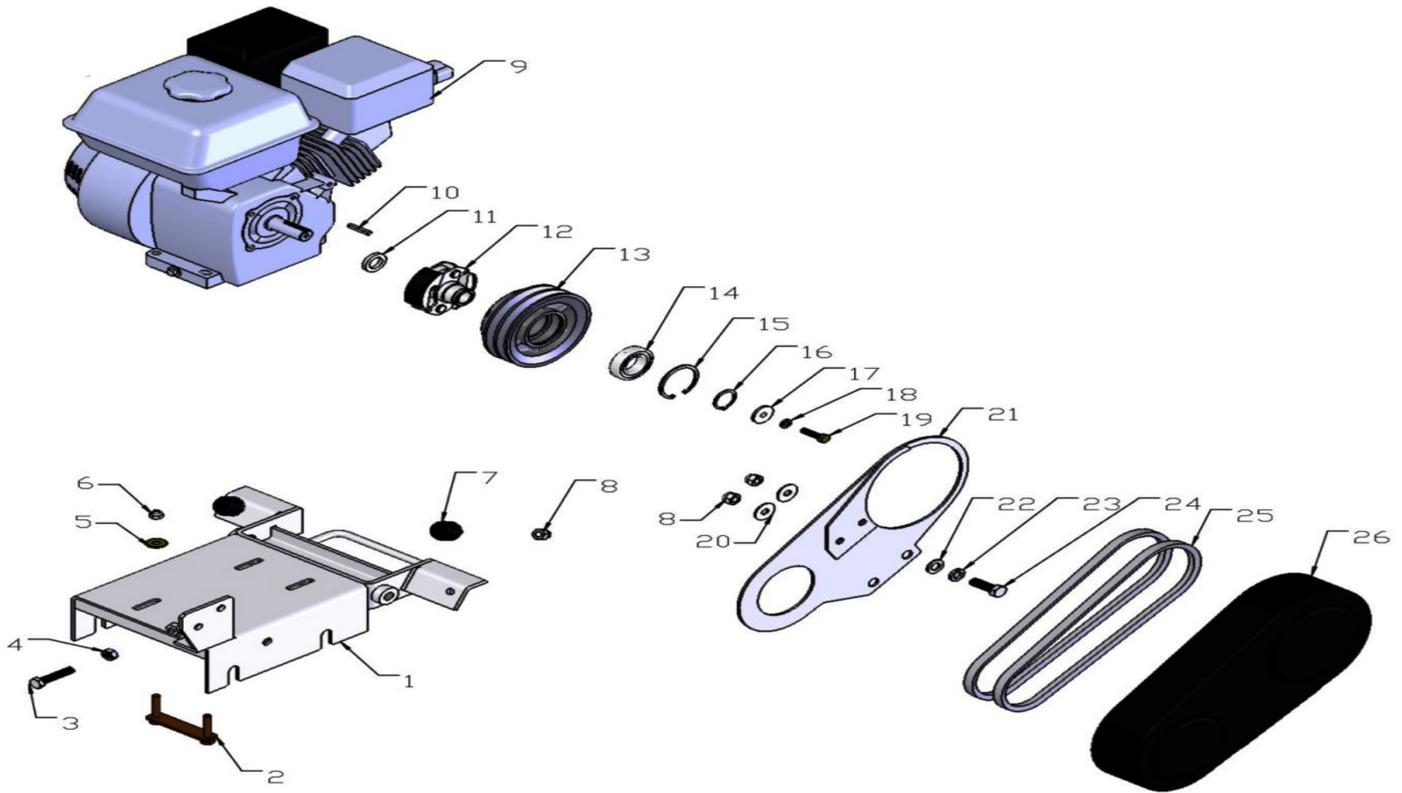
MAIN FRAME ASSEMBLY



NO.	PART NO.	PART DESCRIPTION	QTY.
02-1	PCPT90P-010000	STEEL PLATE	1
02-2	IN.N-M12-DIN-1	LOCK NUT	8
02-3	FN.W12-DIN-1	WASHER	14
02-4	60III-060100	CUSHION	3
02-5	HS.B-M6x16-8.8-GB-1	SCREW	4
02-6	HSPG.W6-DIN-1	SPRING WASHER,TANG ENDS	4
02-7	HSPG.W12-DIN-1	SPRING WASHER,TANG ENDS	6
02-8	HS.B-M12x45-12.9-DIN-3	SCREW	6
02-9	60-060100	CUSHION	1
02-10	FN.W8-DIN-1	WASHER	44
02-11	HSPG.W8-DIN-1	SPRING WASHER,TANG ENDS	44
02-12	FN.B-M8x30-8.8-DIN-1	BOLT	44
02-13	PCPT90P-010100	BEARING COVER	8
02-14	PCPT90P-010200	BOLT	8
02-15	PCPT90P-010400	WASHER	8
02-16	W01-6203ZZ-J	BEARING	8
02-17	PCPT90P-010300	ROLLER	4

PAVEMENT COMACTOR [EVPC120] MAIN FRAME ASSEMBLY

ENGINE & CLUTCH ASSEMBLY

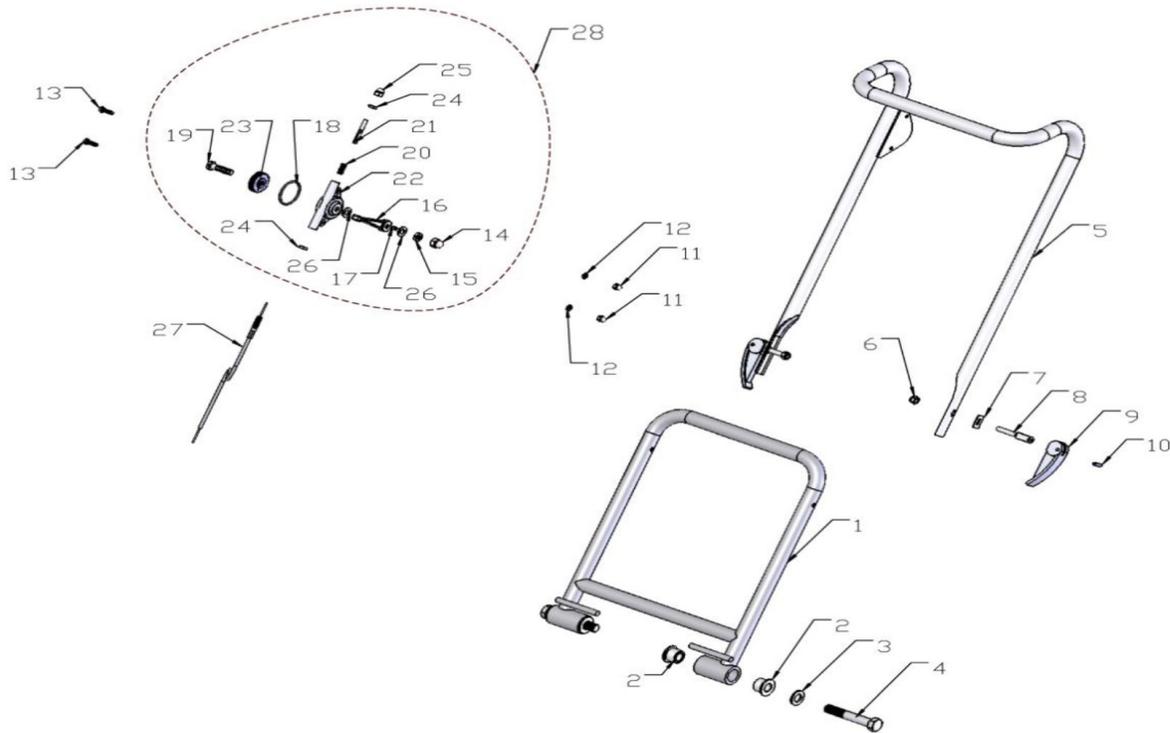


NO.	PART NO.	PART DESCRIPTION	QTY.
03-1	PCPT90P-020000	ENGINE BASE	1
03-2	60-060200	BOLT	2
03-3	FN.B-M10x45-8.8-DIN-1	BOLT	1
03-4	FN.N-M10-DIN-1	NUT	1
03-5	WOD.W8-GB-1	WASHER	4
03-6	IN.N-M8-DIN-1	LOCK NUT	4
03-7	80-0408	CUSHION	2
03-8	IN.N-M10-DIN-1	LOCK NUT	4
03-9	W05-GX160H1-SX	ENGINE	1
03-10	Key.B-5x5x32	KEY	1
03-11	80-0317	WASHER	1
03-12	80-0500A	CENTRIFUGAL CLUTCH	1
03-13	60IIIA-060500	CLUTCH PULLEY	1

NO.	PART NO.	PART DESCRIPTION	QTY.
03-14	W01-6006ZZ-J	BEARING	1
03-15	CH.RG55	INTERNAL CIRCLIP	1
03-16	CS.RG30	EXTERNAL CIRCLIP	1
03-17	60-060501	WASHER	1
03-18	HSPG.W8-DIN-1	SPRING WASHER,TANG ENDS	1
03-19	FN.B-M8x30-8.8-DIN-1	BOLT	1
03-20	WOD.W10-GB-1	WASHER	2
03-21	60III-040200	INNER BELT GUARD	1
03-22	FN.W12-DIN-1	WASHER	1
03-23	HSPG.W12-DIN-1	SPRING WASHER,TANG ENDS	1
03-24	FN.B-M12x35-8.8-DIN-1	BOLT	1
03-25	W02-A31	V-BELT	2
03-26	60III-040100	OUTTER BELT GUARD	1

PAVEMENT COMACTOR [EVPC120] ENGINE & CLUTCH ASSEMBLY

OPERATION HANDLE ASSEMBLY



NO.	PART NO.	PART DESCRIPTION	QTY.
03-1	PCPT90P-020000	ENGINE BASE	1
03-2	60-060200	BOLT	2
03-3	FN.B-M10x45-8.8-DIN-1	BOLT	1
03-4	FN.N-M10-DIN-1	NUT	1
03-5	WOD.W8-GB-1	WASHER	4
03-6	IN.N-M8-DIN-1	LOCK NUT	4
03-7	80-0408	CUSHION	2
03-8	IN.N-M10-DIN-1	LOCK NUT	4
03-9	W05-GX160H1-SX	ENGINE	1
03-10	Key.B-5x5x32	KEY	1
03-11	80-0317	WASHER	1
03-12	80-0500A	CENTRIFUGAL CLUTCH	1
03-13	60IIIA-060500	CLUTCH PULLEY	1

NO.	PART NO.	PART DESCRIPTION	QTY.
03-14	W01-6006ZZ-J	BEARING	1
03-15	CH.RG55	INTERNAL CIRCLIP	1
03-16	CS.RG30	EXTERNAL CIRCLIP	1
03-17	60-060501	WASHER	1
03-18	HSPG.W8-DIN-1	SPRING WASHER,TANG ENDS	1
03-19	FN.B-M8x30-8.8-DIN-1	BOLT	1
03-20	WOD.W10-GB-1	WASHER	2
03-21	60III-040200	INNER BELT GUARD	1
03-22	FN.W12-DIN-1	WASHER	1
03-23	HSPG.W12-DIN-1	SPRING WASHER,TANG ENDS	1
03-24	FN.B-M12x35-8.8-DIN-1	BOLT	1
03-25	W02-A31	V-BELT	2
03-26	60III-040100	OUTTER BELT GUARD	1

PAVEMENT COMACTOR [EVPC120] OPERATION HANDLE ASSEMBLY

WARRANTY

Limited Warranty

The manufacturer warrants that products manufactured shall be free from defects in material and workmanship that develop under normal use for a period of one year on all products from the date of shipment. The foregoing shall be the exclusive remedy of the buyer and the exclusive liability of the manufacturer. Our warranty excludes normal replaceable wear items, i.e. gaskets, wear parts, seals, O-rings, belts, drive chains, clutches, etc. Any equipment, part or product which is furnished by the manufacturer but manufactured by another, bears only the warranty given by such other manufacturer. (Manufacturer agrees to furnish free of charge a written description of problem or cause.) Warranty is voided by product abuse, alterations, use of equipment in applications for which it was not intended, use of non-manufacturer parts, or failure to follow documented service instructions. The foregoing warranty is exclusive of all other warranties whether written or oral, expressed or implied. No warranty of merchantability or fitness for a particular purpose shall apply. The agents, dealers, and employees of Manufacturer are not authorized to make modifications to this warranty, or additional warranties binding on the Manufacturer. Therefore, additional statements, whether oral or written, do not constitute warranty and should not be relied upon.

The Manufacturer's sole responsibility for any breach of the foregoing warranty provisions, with respect to any product or part not conforming to the Warranty or the description herein contained, is at its option (a) to repair, replace, or refund such product or parts upon the prepaid return thereof to location designated specifically by the Manufacturer. Product returns not shipped prepaid will be refused (b) as an alternative to the foregoing modes of settlement - the Manufacturer's dealer may repair defective units with reimbursement for expenses. A written description of problem or cause must accompany all warranty claims.

Except as set forth here in above and without limitation of the above, there are no warranties or other affirmation which extend beyond the description of the products on the fact here of, or as to operational efficiency, product reliability, or maintainability or compatibility with products furnished by others. In no event, whether as a result of breach of contract or warranty or alleged negligence, shall the Manufacturer, be liable for special or consequential damages including but not limited to: Loss of profits or revenue, loss of use of the product or any associated product, cost of capital, cost of substitute products, facilities or services or claims of customers. Manufacturer does not assume responsibility for any accident due to equipment modification.

No claim will be allowed for products lost or damaged in transit. Such claims should be filed with the carrier within fifteen days.

Effective July 20, 2005

EZG Manufacturing is the exclusive manufacturer of the patented Grout Hog® Grout Delivery System the Mud Hog® Hydraulic Mixing Station, the Hog Trough® mud pan, the Hog Cart™, the Hog Slopper™, the Booger Hog® Wall Scrubber, the Hog Leg® Wall Brace System, and the Hog Crusher™ Material Recycling System.

WARRANTY REGISTRATION

Contact:

Company:

Address:

City:

State:

Zip:

Tel:

Fax:

Cell:

Email:

Purchased From:

Direct Distributor:

Purchase Date:

Serial No.

**Fax Warranty Registration form to 740.962.2037
or submit online at www.ezgmfg.com by clicking
on “Products” then “Warranty Cards”.**

PLEASE COMPLETE THIS WARRANTY CARD, AND RETURN
VIA MAIL, FAX, OR E-MAIL, WITHIN 30 DAYS OF PURCHASE
TO VALIDATE YOUR MANUFACTURER’S WARRANTY
FOR ALL EZG MANUFACTURING PRODUCTS.
WARRANTY PROVISIONS OF THIS MACHINE ARE HANDLED
DIRECTLY THROUGH THE MANUFACTURER.

EZG MANUFACTURING * 1833 North Riverview Road, Malta, OH 43758
PHONE 1-800-417-9272 * Email: warranty@ezgmfg.com * FAX 740-962-2037