

Use Zone: 17' x 17'



ADA Access: Yes



Age Group: 2-5



Occupancy: 4-6



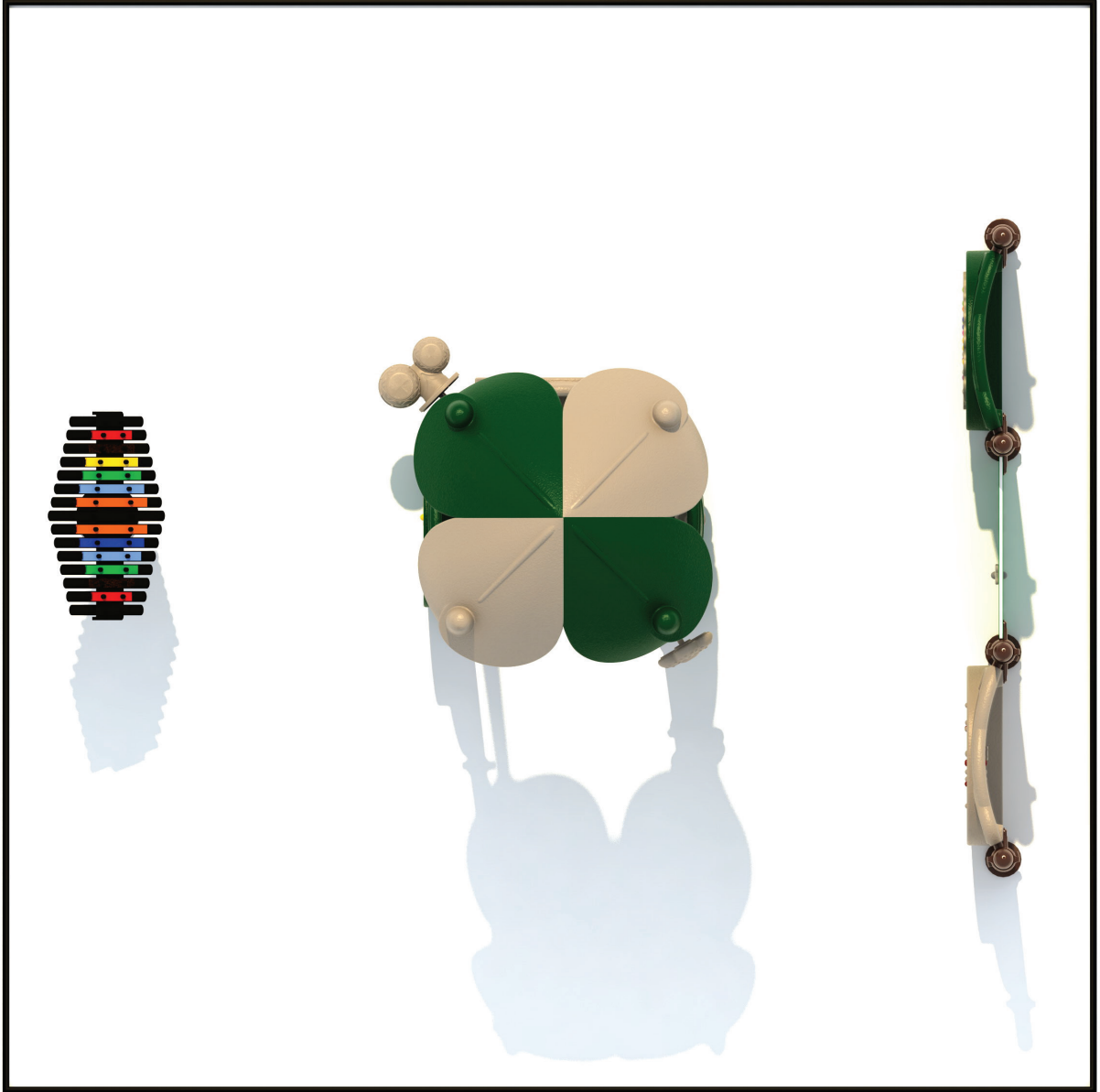
Free Shipping!

COMPONENTS:



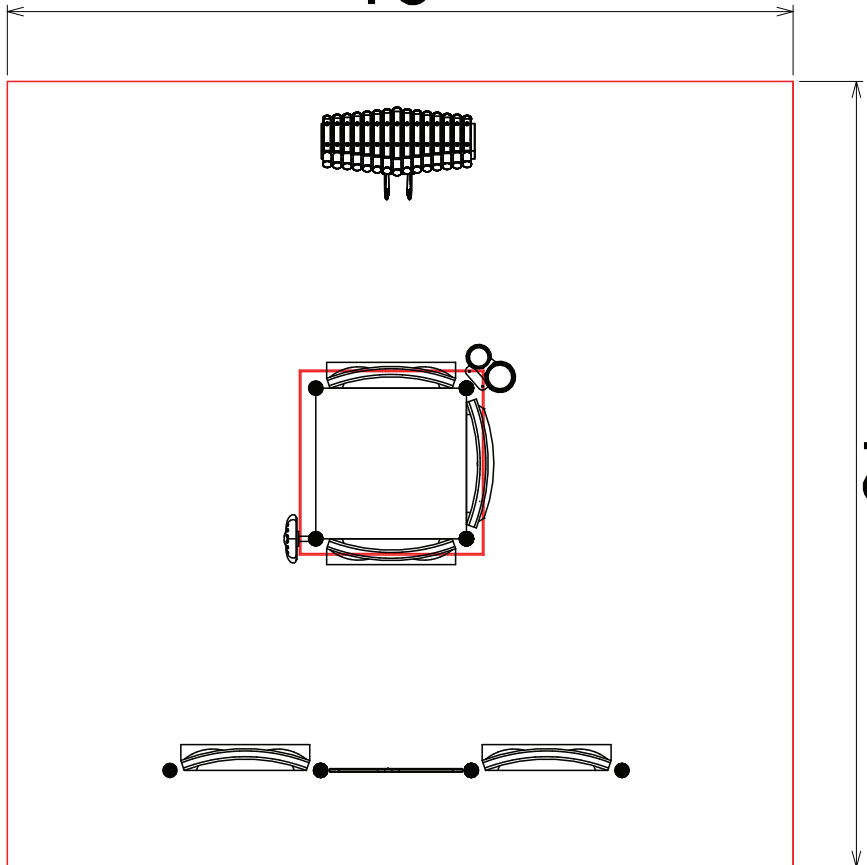




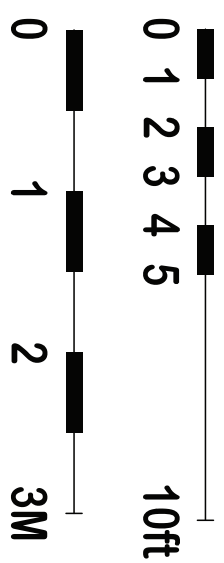


16'

16'



Compliance:
 This play structure has been designed to meet the safety requirements established in:
 - 2010 ADA Standard
 - ASTM F1487
 - CPSC Pub #325
 when the play structure is installed over a properly maintained surfacing material which is in compliance with:
 - ASTM F1292
 - ASTM F1951
 and is appropriate for the highest designated play surface of the structure.



Drawing No: TT-39619 FM-1803 FS-38607 Date: 06/12/2022 Scale: To Fit	Structure Size: 4'-6"X4'-8"X9'-6" Recommended Use Zone: 16'-6"X16'-9" Surface Area: 289 sq ft	HDPS: Age Group: 2-5 Capacity: 4-6 Weight: 652 lbs	Creative Recreational Systems, Inc
-------------------------------------------------------------------------------	-----------------------------------------------------------------------------------------------------	-------------------------------------------------------------	------------------------------------