



Use Zone: 79' x 33'



ADA Access: Yes



Age Group: 2-12



Occupancy: 34-38



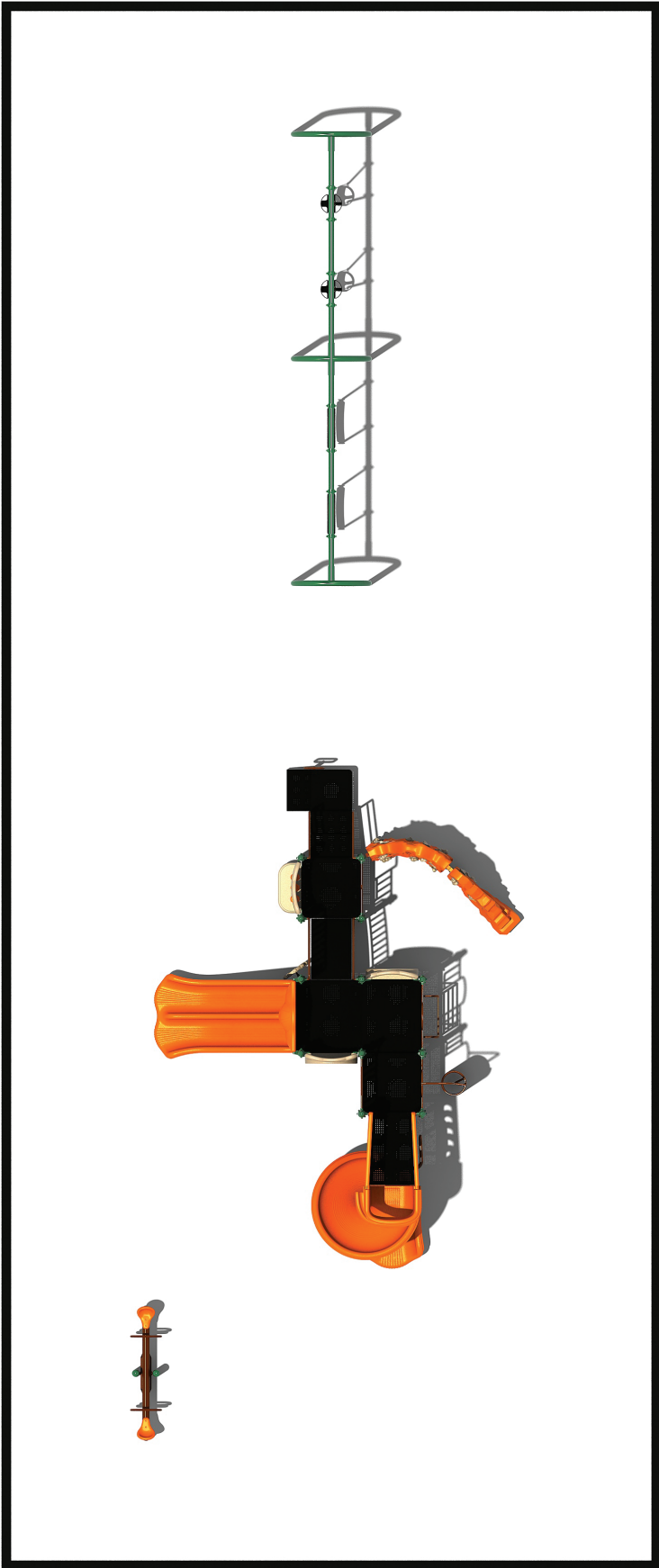
Free Shipping!

#### COMPONENTS:

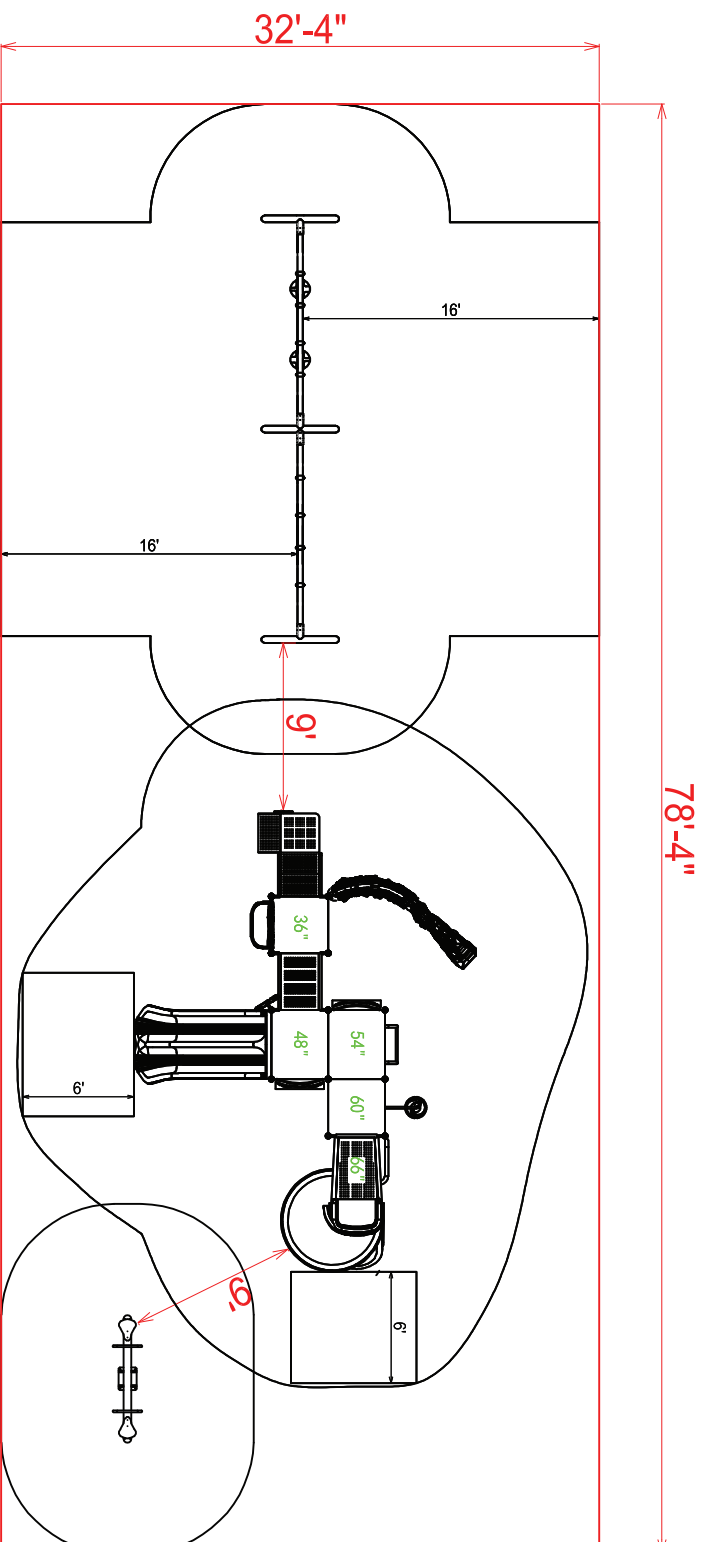








# Top View Detail



Compliance:  
 This play structure has been designed to meet the safety requirements established in:  
 - 2010 ADA Standard  
 - ASTM F1487  
 - CPSC Pub #325  
 when the play structure is installed over a properly maintained surfacing material which is in compliance with:  
 - ASTM F1292  
 - ASTM F1951  
 and is appropriate for the highest designated play surface of the structure.

Drawing No: KP-35121	Structure Size: 24'-11" x 18'-7" x 10'-4"	HDDS: 7'-5"
Date: 10-12-2022	Recommended Use Zone: 78'-4" x 32'-4"	Age Group: 2-12
Scale: To Fit	Surface Area: 2607 Sq Ft	Capacity: 34-38
		Weight: 3520 lbs

**Creative Recreational Systems, Inc**

