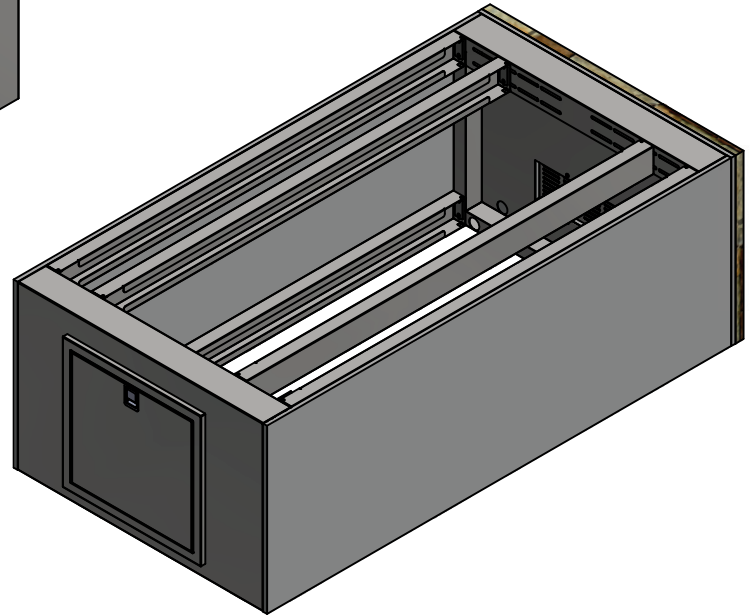
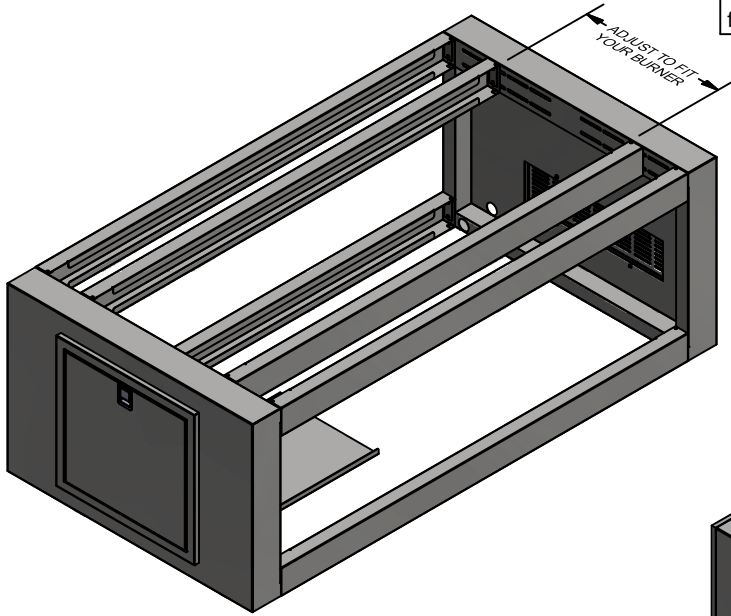
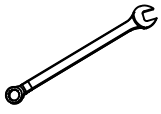


Frame adjusts to fit burners
from 6" x 24" up to 24" x 48"

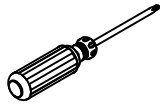


STEP 1

Assemble your Uniframe Systems Fire Pit frame.



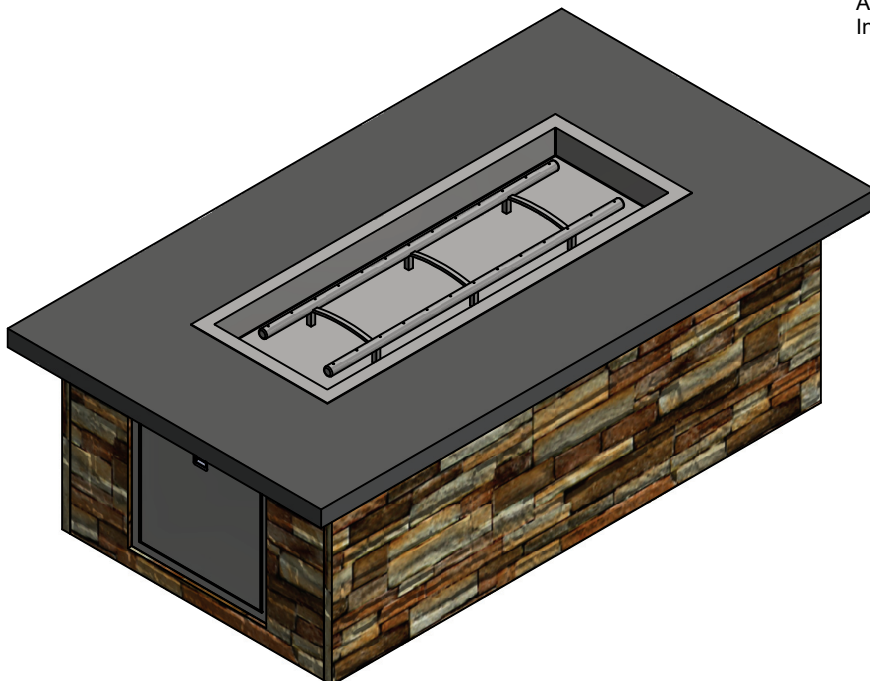
7/16"



No. 2 Phillips

STEP 2

Apply 1/2" cement board (or similar) using self-drilling screws.
Install Vents using screws provided.



STEP 3

Add stucco, stone, or cladding of your choice.
Add stone top of your choice.
Install drop-in Burner Pan assembly and 20lb horizontal propane tank.
Enjoy your new Fire Pit !

Frame and Vents included in kit.
Cement board, cladding, top, and burner not included.