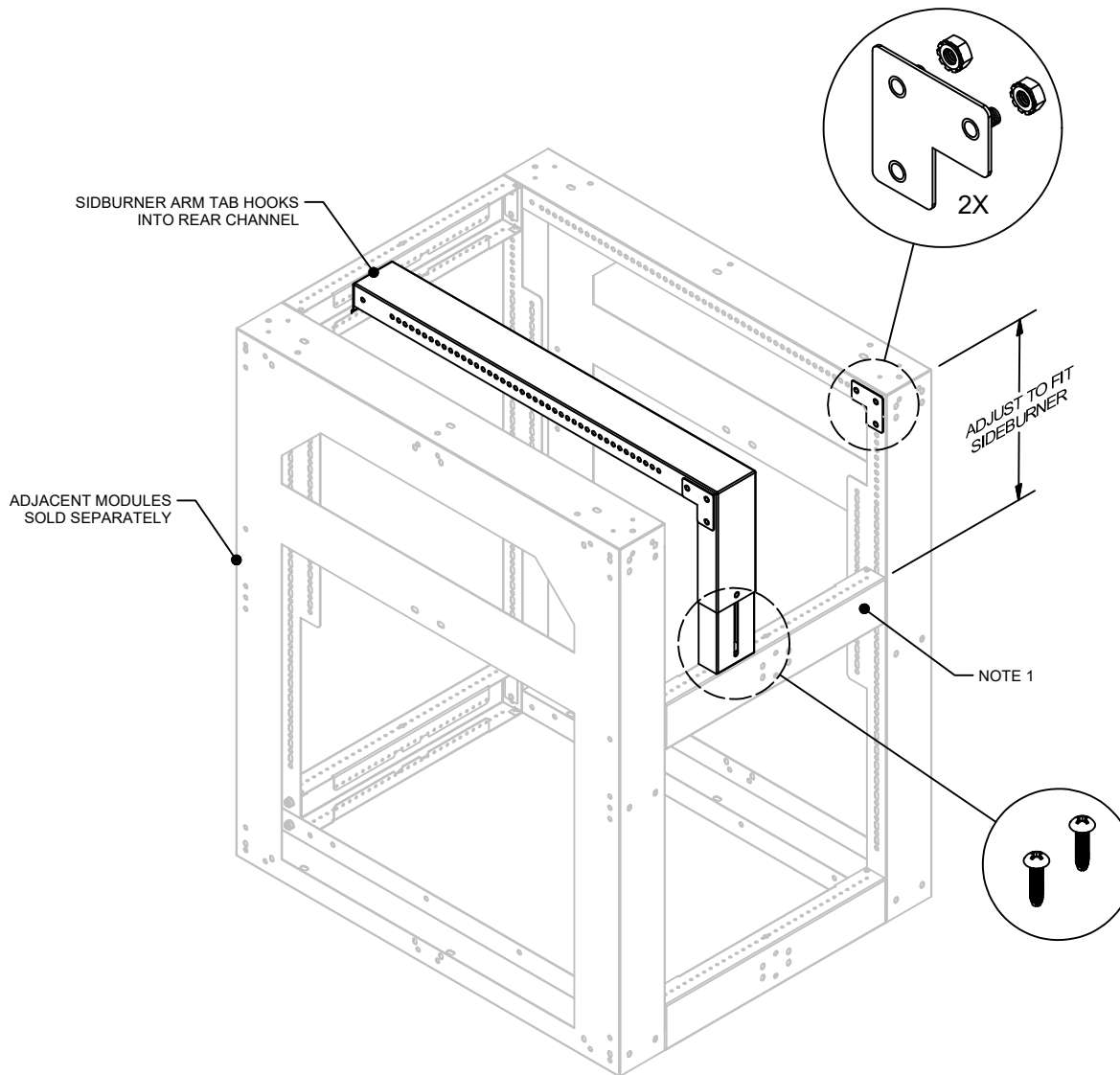


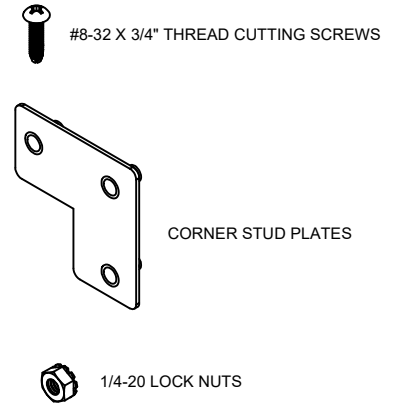
# Uniframe Systems

## ASSEMBLY INSTRUCTIONS SIDE BURNER ARM

P/N: **UF-SB1**



### HARDWARE PROVIDED



### NOTE 1

THIS HORIZONTAL CHANNEL CAN BE TURNED FLAT TO MAXIMIZE ACCESSORY OPENING IF NEEDED

All installations **must be ventilated** in compliance with applicable local, state, and federal codes  
All adjustments to be based on appliance manufacturer's recommendations and all local building codes

**Uniframe Systems**  
145 Bodwell Street | Avon, MA 02322  
508.510.4482 | [www.uniframe.com](http://www.uniframe.com)