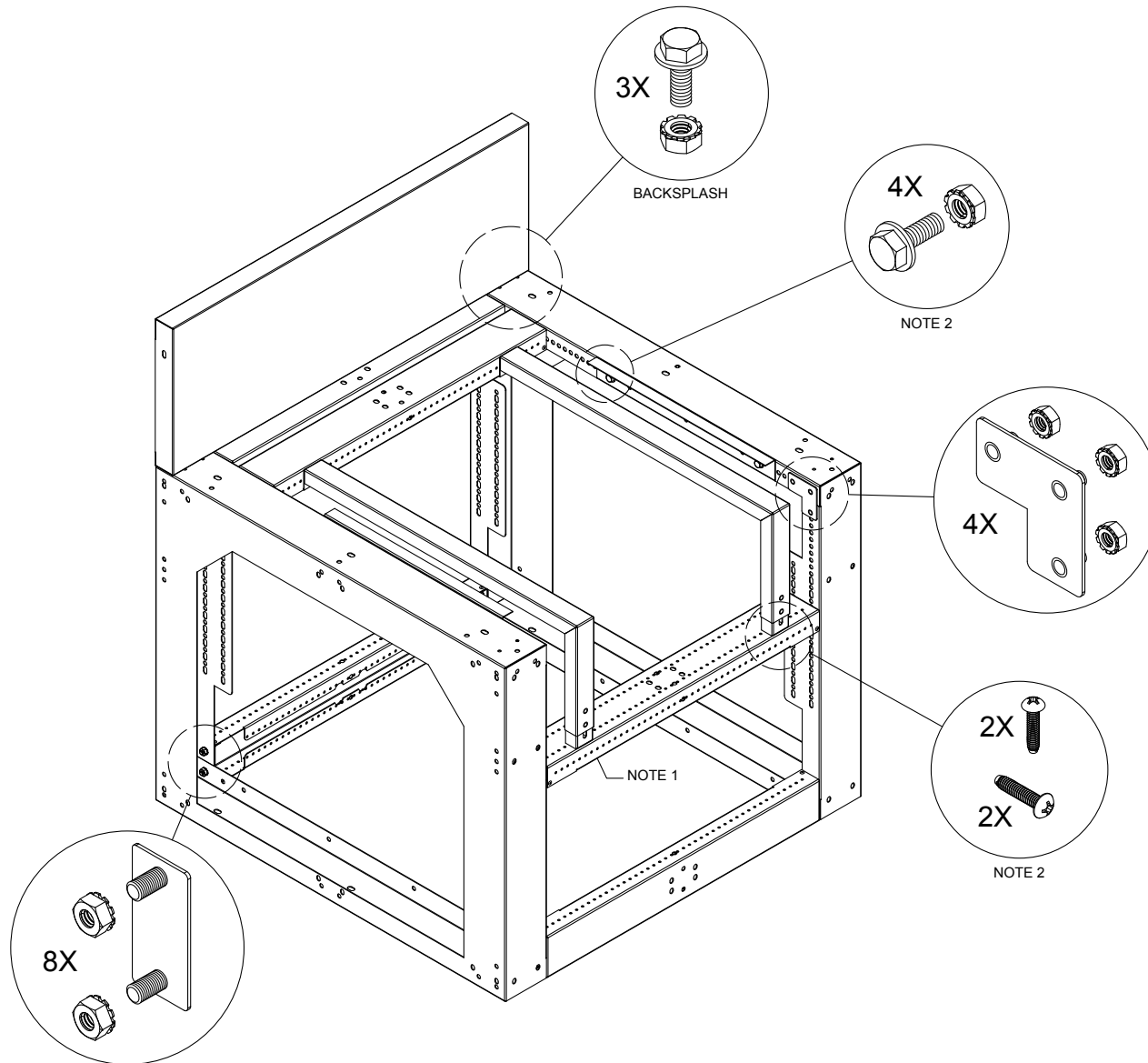
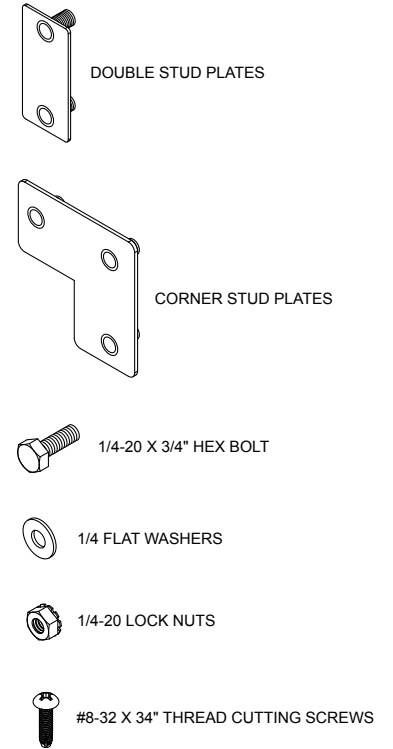


P/N: **UF-PWB**



HARDWARE PROVIDED



NOTE 1

THIS HORIZONTAL CHANNEL CAN BE TURNED VERTICALLY TO MINIMIZE ACCESSORY OPENING IF NEEDED

NOTE 2

DEPENDING UPON THE SIZE OF YOUR POWER BURNER, USE ANY COMBINATION OF ADJUSTABLE L-SUPPORTS AND/OR Z-SPACERS TO CREATE THE DESIRED BURNER OPENING

All installations must be ventillated in compliance with applicable local, state, and federal codes

All adjustments to be based on appliance manufacturer's recommendations and all local building codes

Uniframe Systems, LLC

145 Bodwell Street | Avon, MA 02322

844.883.3330 | www.uniframesystems.com