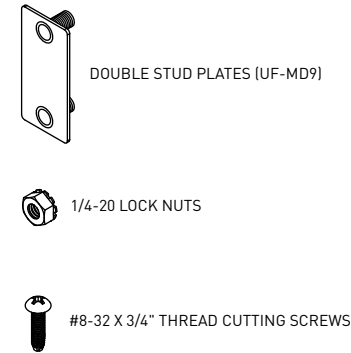


HARDWARE PROVIDED



PARTS LIST		
PN	DESCRIPTION	QTY
UF-MD1	END PANEL OR SPACER	2
UF-MD7	HORIZONTAL CHANNEL, 41"	6
UF-SLN	ADJUSTABLE VERTICAL SLIDE	2
UF-MD9	DOUBLE STUD PLATE	12
UF-FS3	FLOOR SUPPORT, 26-1/2"	1

All installations must be ventilated in compliance with applicable local, state, and federal codes
 All adjustments to be based on appliance manufacturer's recommendations and all local building codes