

Uniframe Systems

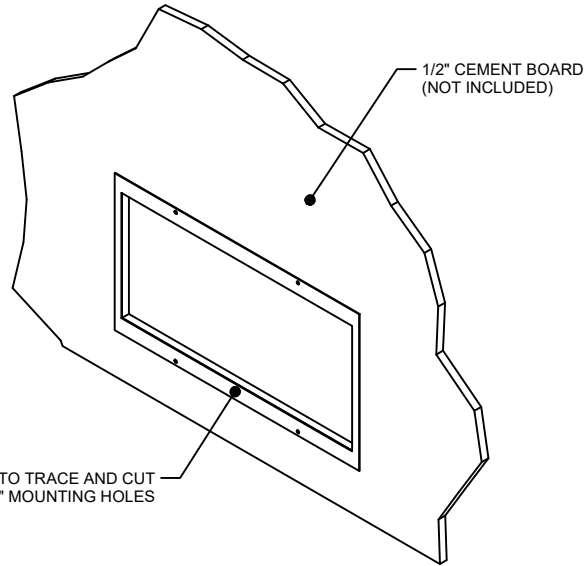
ASSEMBLY INSTRUCTIONS VENTS - L12 & L24

P/N: **UF-L12 & UF-L24**

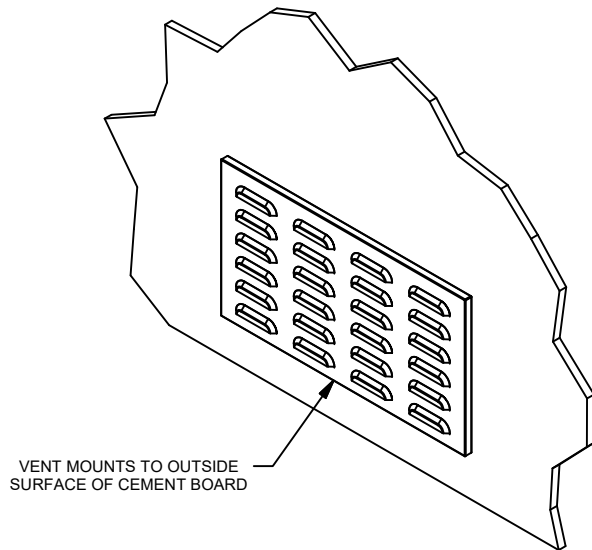
HARDWARE PROVIDED



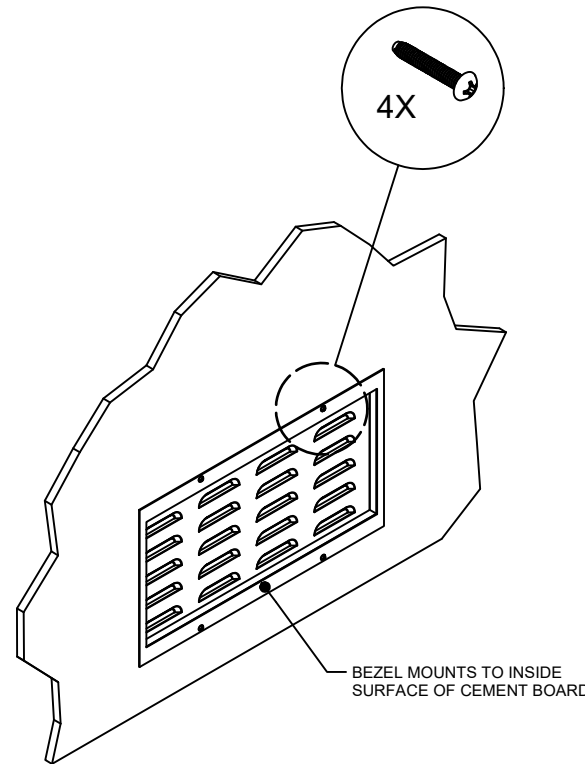
#8-32 X 1" THREAD CUTTING SCREWS



USE BEZEL AS A TEMPLATE TO TRACE AND CUT OPENING AND DRILL Ø3/16" MOUNTING HOLES



VENT MOUNTS TO OUTSIDE SURFACE OF CEMENT BOARD



4X

BEZEL MOUNTS TO INSIDE SURFACE OF CEMENT BOARD

All installations **must be ventilated** in compliance with applicable local, state, and federal codes
All adjustments to be based on appliance manufacturer's recommendations and all local building codes

Uniframe Systems, LLC
145 Bodwell Street | Avon, MA 02322
844.883.3330 | www.uniframesystems.com