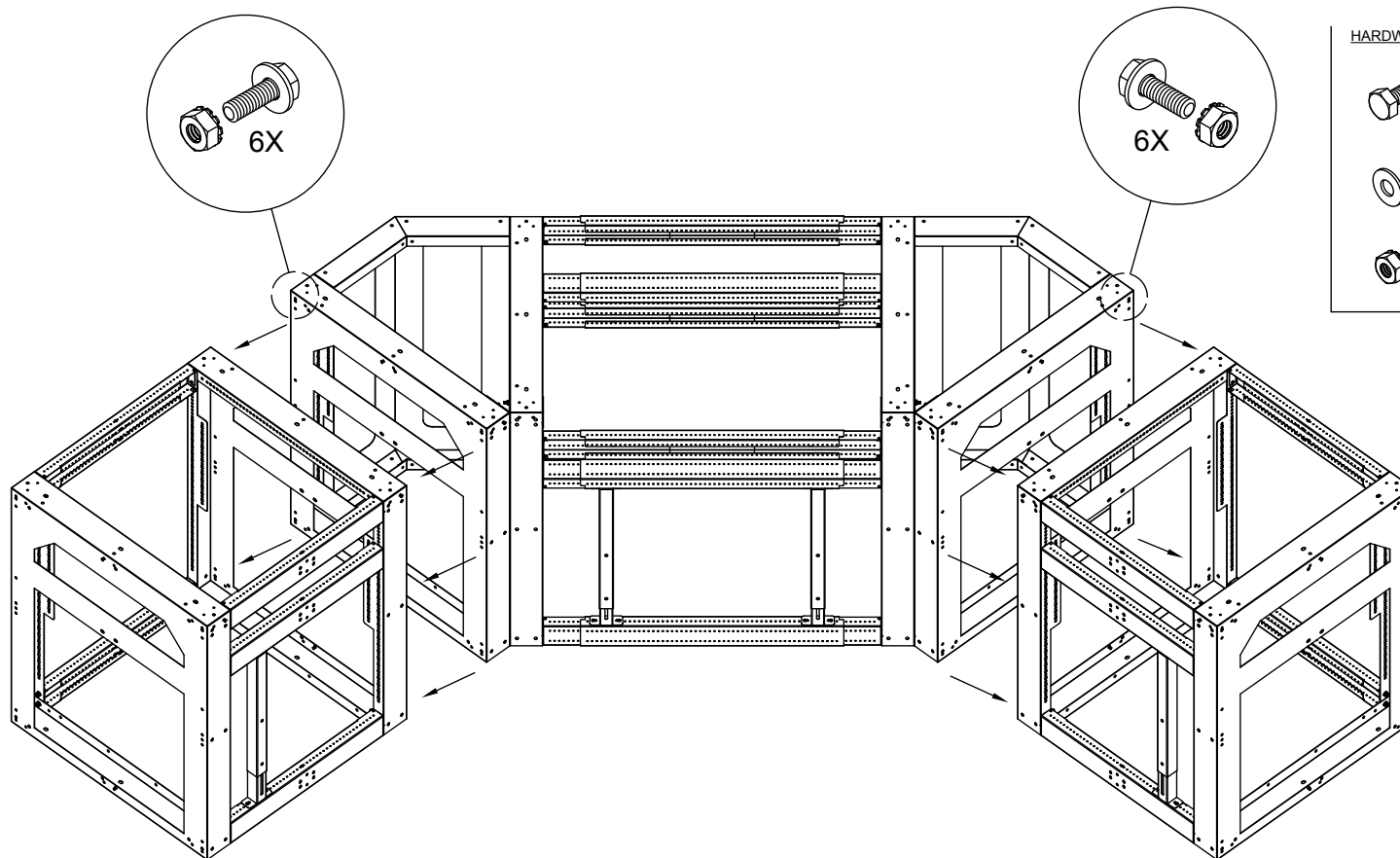
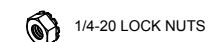
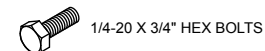


P/N: **UF-KIT-CAMBRIDGE**



**HARDWARE PROVIDED**



**ALL MODULES BOLT TOGETHER AS SHOWN**