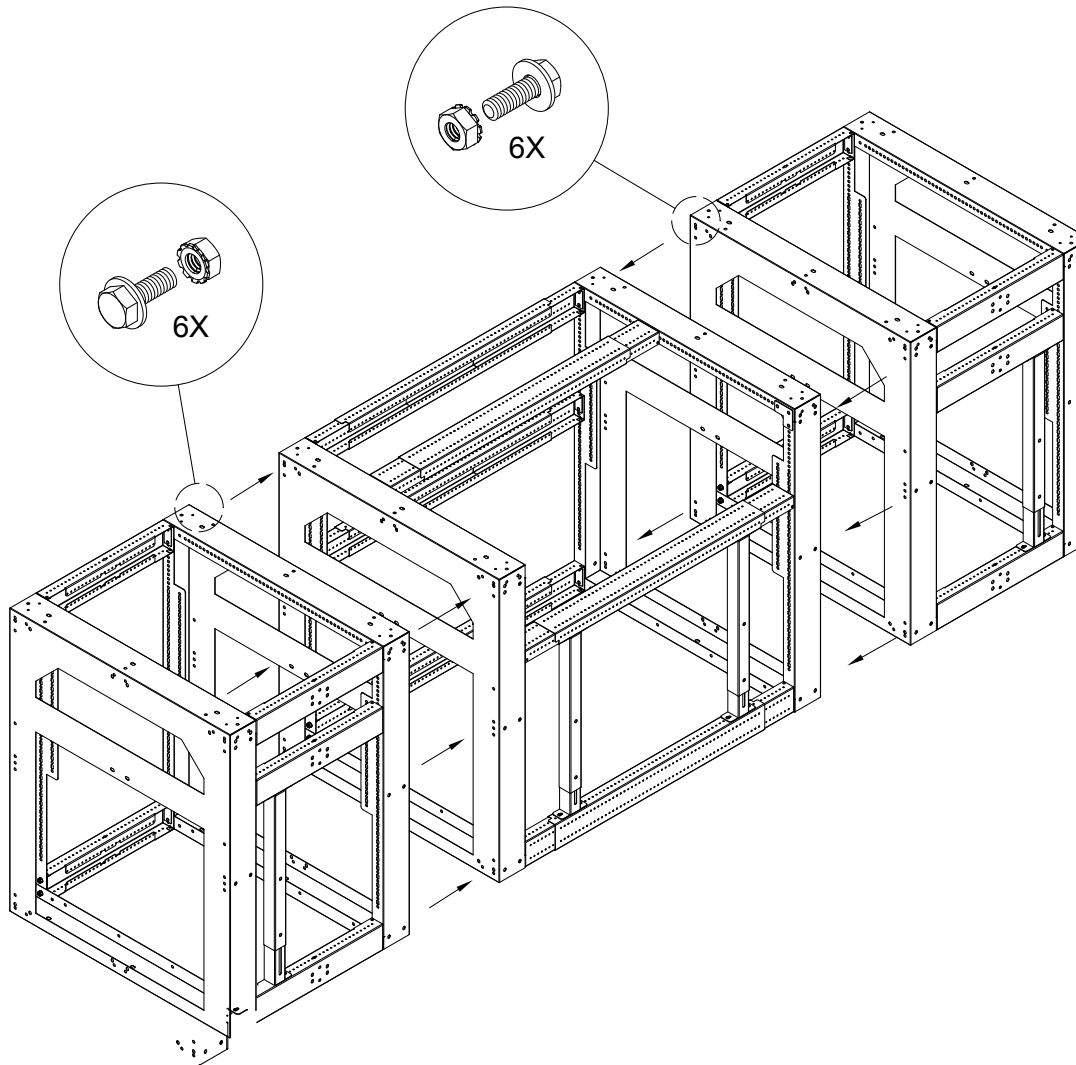
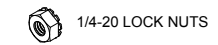
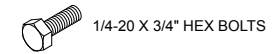


P/N: **UF-KIT-BROOKLINE****HARDWARE PROVIDED**

All installations must be ventilated in compliance with applicable local, state, and federal codes  
All adjustments to be based on appliance manufacturer's recommendations and all local building codes

**Uniframe Systems, LLC**  
145 Bodwell Street | Avon, MA 02322  
844.883.3330 | [www.uniframe.com](http://www.uniframe.com)