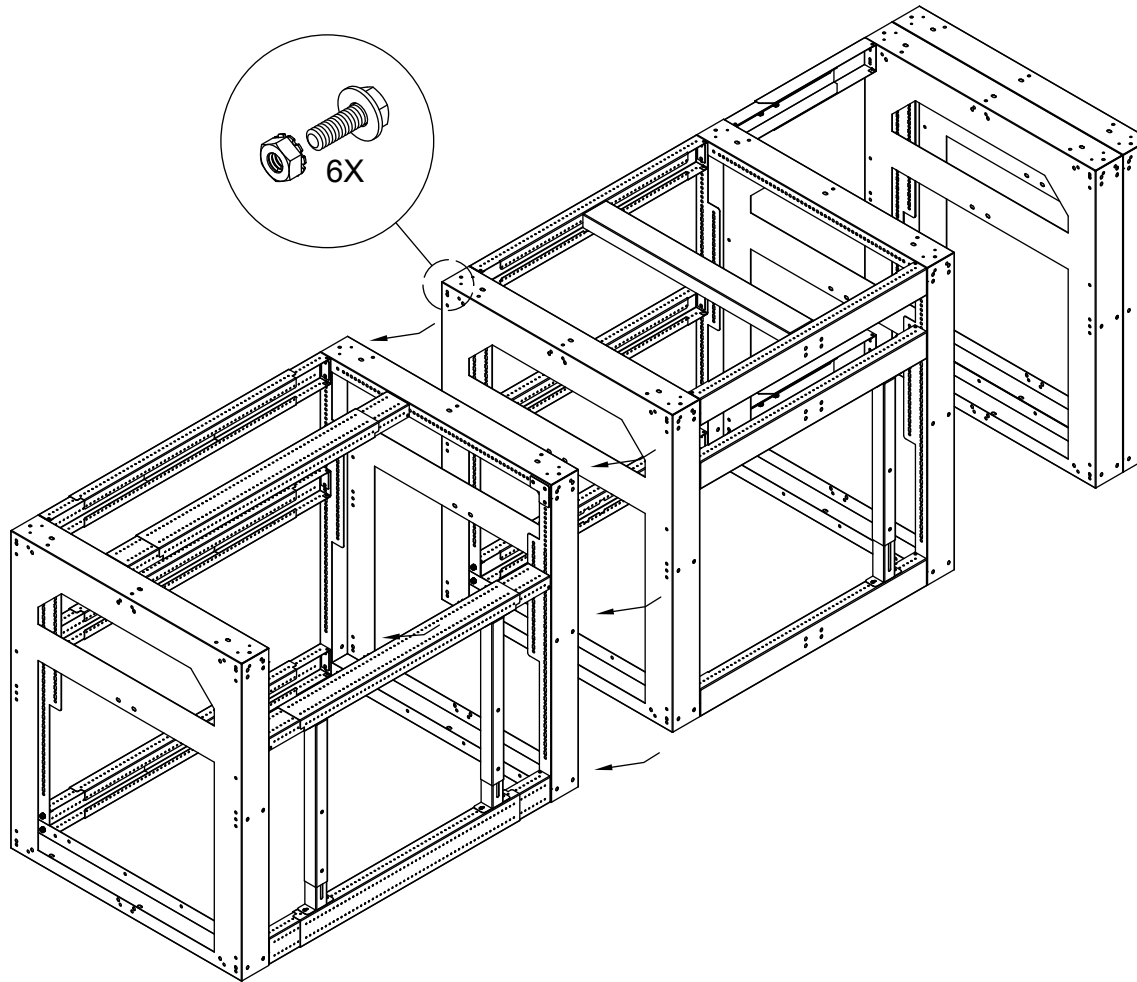
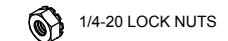
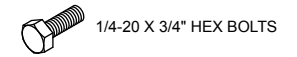


P/N: **UF-KIT-BRIDGEWATER**



HARDWARE PROVIDED



ALL MODULES BOLT TOGETHER AS SHOWN

All installations must be ventilated in compliance with applicable local, state, and federal codes
All adjustments to be based on appliance manufacturer's recommendations and all local building codes

Uniframe Systems, LLC
145 Bodwell Street | Avon, MA 02322
844.883.3330 | www.uniframe.com