

Uniframe Systems

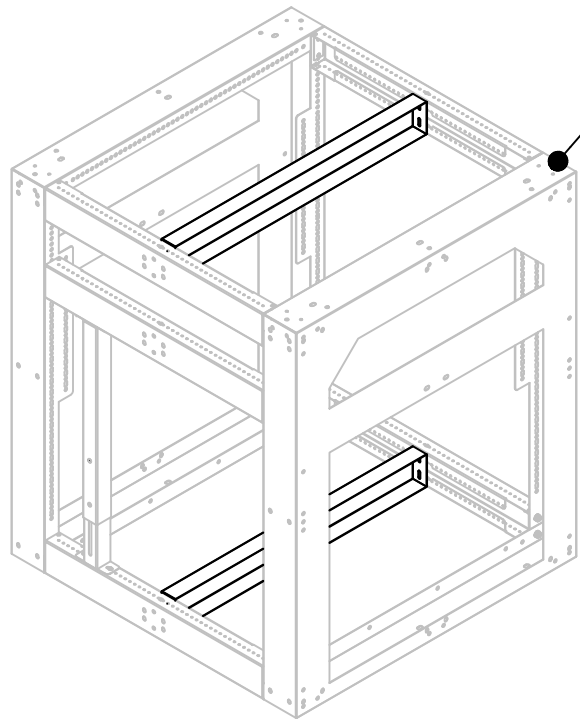
ASSEMBLY INSTRUCTIONS FLOOR OR TOP SUPPORT

P/N: **UF-FS3**

HARDWARE PROVIDED

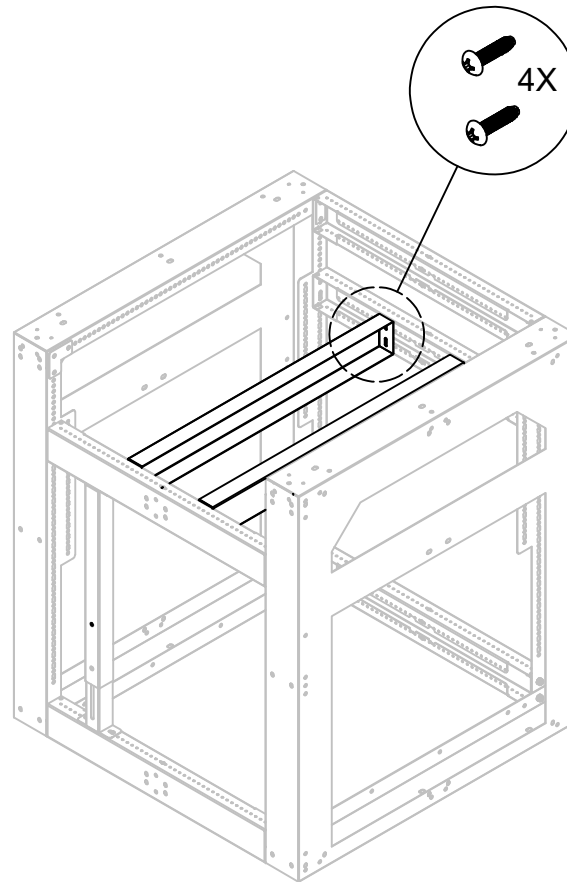


#8-32 X 3/4" THREAD CUTTING SCREWS

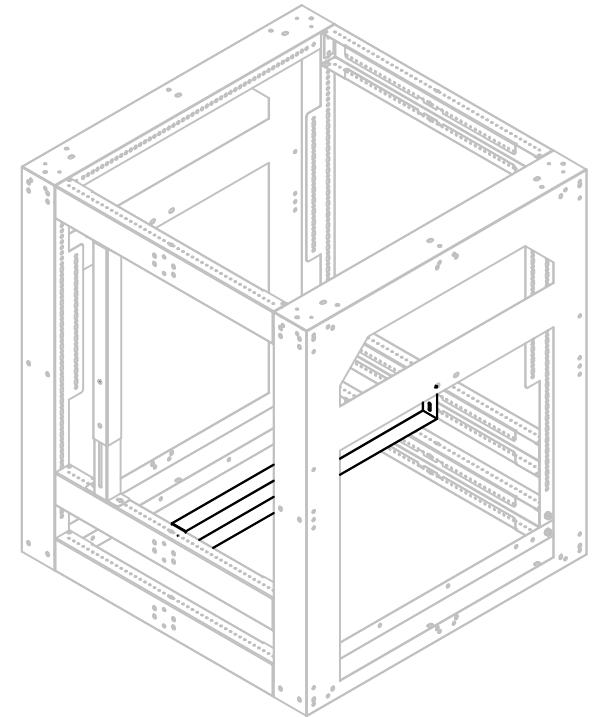


UNIFRAME MODULES
(SOLD SEPARATELY)

Support for Countertop Cutouts
Support for Flush Flooring



Support for Shelves



Support for Drawer Units
Support for Enclosed Cabinets

All installations **must be ventilated** in compliance with applicable local, state, and federal codes
All adjustments to be based on appliance manufacturer's recommendations and all local building codes

Uniframe Systems
145 Bodwell Street | Avon, MA 02322
844.883.3330 | www.uniframe.com