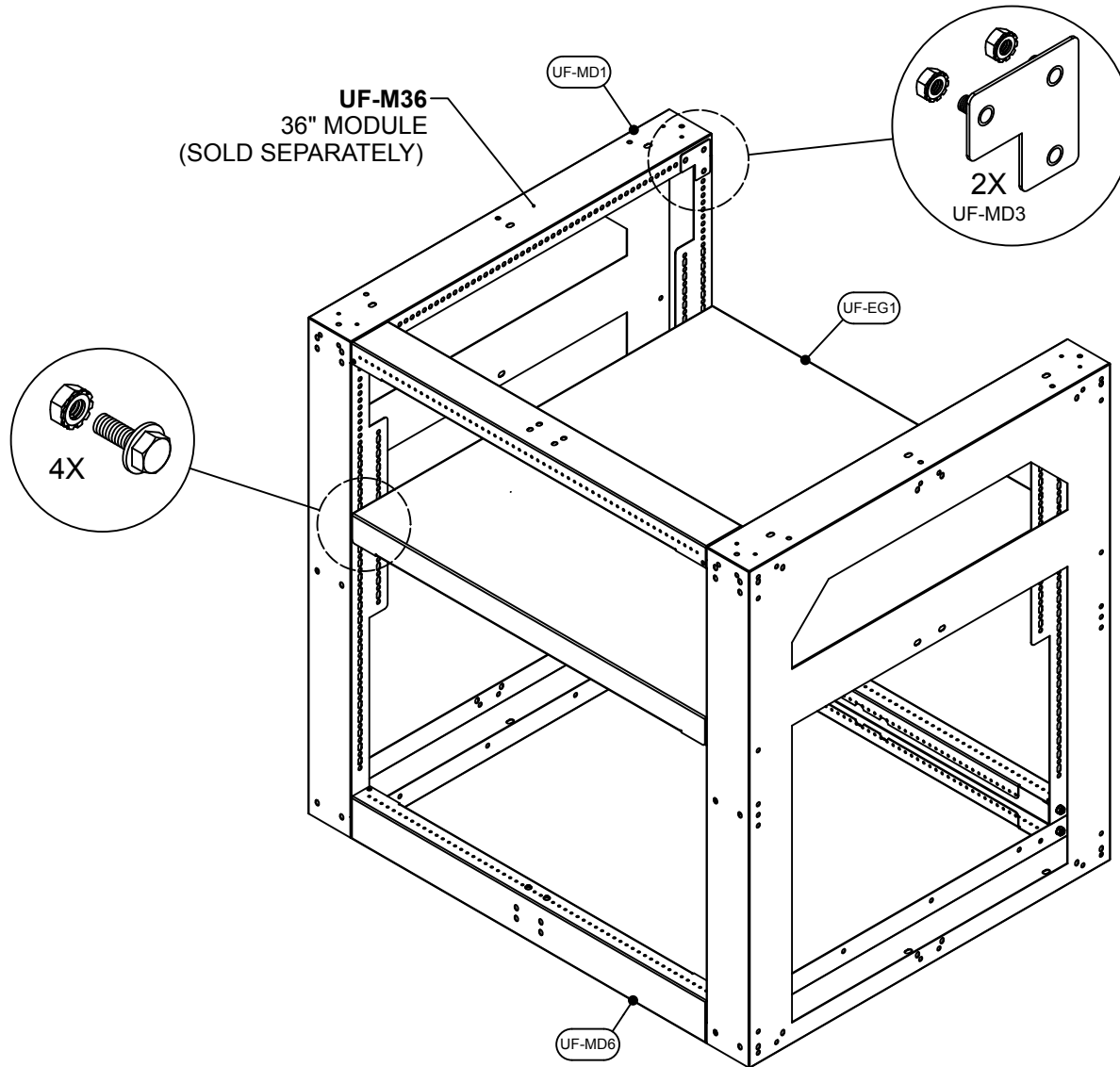
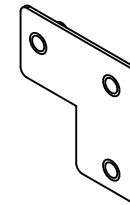


P/N: **UF-EG1**



HARDWARE PROVIDED



CORNER STUD PLATES (UF-MD3)



1/4-20 X 3/4\"/>



1/4-20 FLAT WASHERS



1/4-20 LOCK NUTS



#8-32 X 3/4\"/>

PARTS LIST		
PN	DESCRIPTION	QTY
UF-MD1	END PANEL OR SPACER	2
UF-MD6	HORIZONTAL CHANNEL, 29"	3
UF-EG1	EGG SHELF	1
UF-MD3	CORNER SUPPORT	2
UF-MD9	DOUBLE STUD PLATE	6

Uniframe Systems, LLC

145 Bodwell Street | Avon, MA 02322

844.883.3330 | www.uniframesystems.com

All installations must be ventilated in compliance with applicable local, state, and federal codes

All adjustments to be based on appliance manufacturer's recommendations and all local building codes