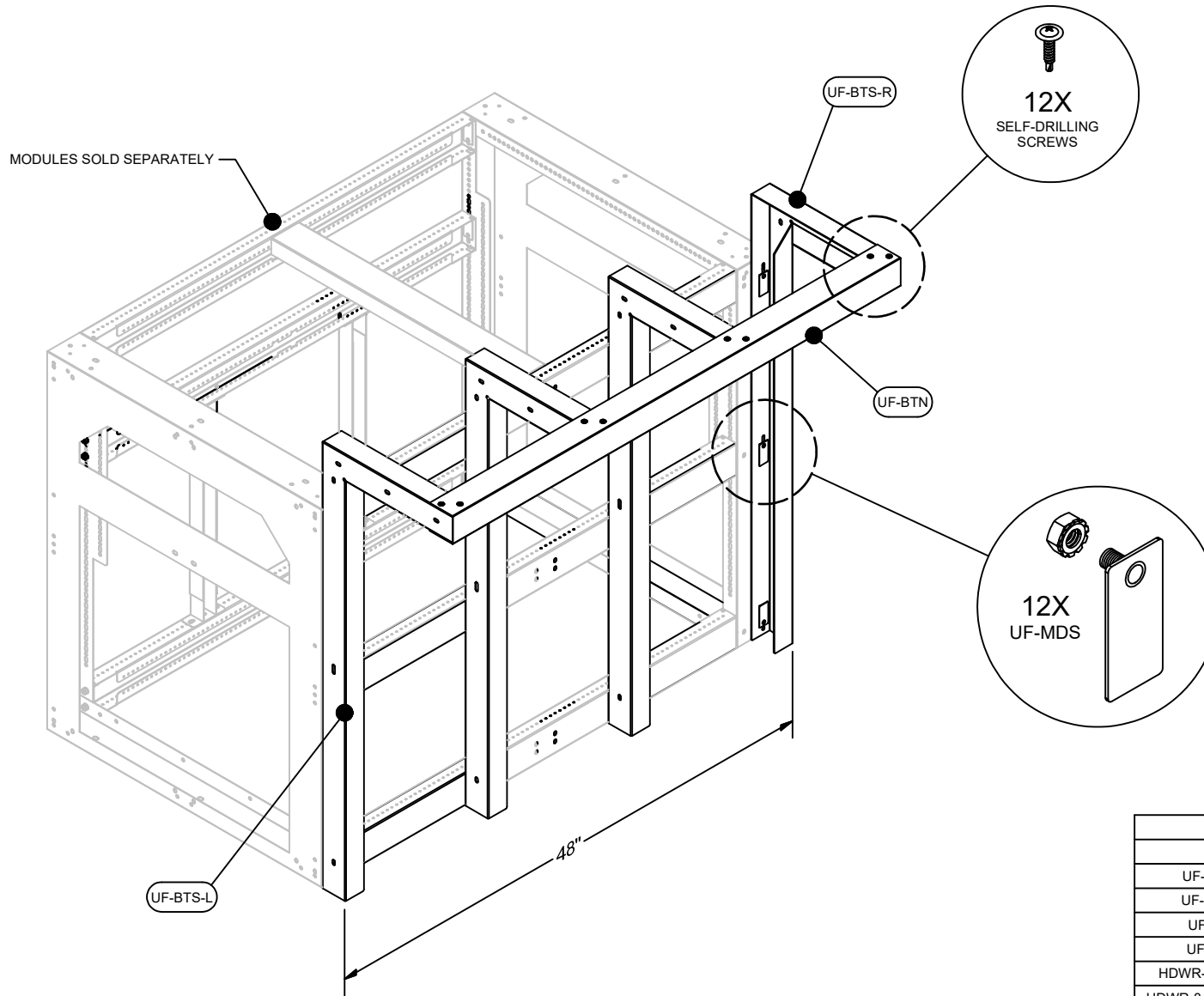


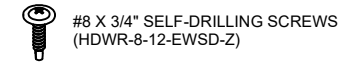
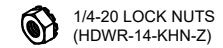
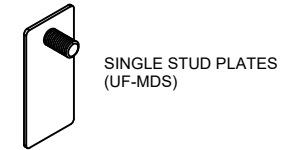
Uniframe Systems

ASSEMBLY INSTRUCTIONS BARTOP SUPPORT SET, 48"

P/N: **UF-BTS-SET**



HARDWARE PROVIDED



PARTS LIST		
PN	DESCRIPTION	QTY
UF-BTS-L	BAR TOP SUPPORT, LEFT	3
UF-BTS-R	BAR TOP SUPPORT, RIGHT	1
UF-BTN	CAP CHANNEL	1
UF-MDS	SINGLE STUD PLATE	12
HDWR-14-KHN-Z	1/4-20 KEPS NUT	12
HDWR-8-12-EWSD-Z	#8 EXTRA WIDE SELF-DRILLING SCREW	12

All installations **must be ventilated** in compliance with applicable local, state, and federal codes
All adjustments to be based on appliance manufacturer's recommendations and all local building codes

Uniframe Systems, LLC
145 Bodwell Street | Avon, MA 02322
844.883.3330 | www.uniframe.com