

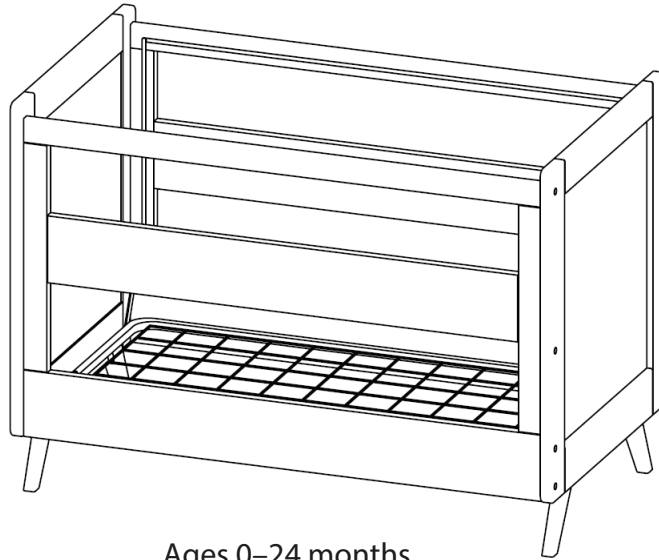


Read all instructions before assembly and use.  
**KEEP INSTRUCTIONS FOR FUTURE USE.**

**⚠ ADULT ASSEMBLY REQUIRED**

Due to the presence of small parts during assembly,  
keep out of reach of children until assembly is complete.

## Breathable™ Mesh 3-in-1 Convertible Crib



Ages 0–24 months  
or 35" (89 cm) tall

### Customer Care:

**Email:** [customercare@breathablebaby.com](mailto:customercare@breathablebaby.com)

BreathableBaby, LLC.  
600 Highway 169 South, Suite 800  
St. Louis Park, MN 55426  
**Phone:** 877-827-4442

**This product is not intended for institutional or commercial use.**

Can be converted to toddler bed with  
additional purchase of Breathable™ Mesh  
Toddler Bed Conversion Kit. Contact  
BreathableBaby for purchase information.

Style #: #####

Lot: PO #

Date: MM/YYYY

To register your product for important safety alerts and updates to your product please visit  
**[breathablebaby.com/registration](http://breathablebaby.com/registration)**.

Please do not return this item to the store before contacting us about missing parts or with any questions.

### Care and Cleaning:

Do not scratch or chip the finish. Do not use abrasive chemicals for cleaning.  
Clean wood or mesh with mild soap on a soft rag. Wipe again with clean water and let dry thoroughly.  
If you ever touch up finish of this furniture, be sure to use only a non-toxic finish specified for children's  
products. As with all your fine furniture, blot up spills immediately.

If optional legs are not used, use furniture pad underneath crib to prevent scratches to floor.

## ⚠ CAUTION

ANY MATTRESS USED IN THIS CRIB SHALL BE AT LEAST 27 1/4 BY 51 5/8 IN. WITH A THICKNESS NOT EXCEEDING 6 IN.

## ⚠ CAUTION

ANY MATTRESS USED IN THIS CRIB SHALL BE AT LEAST 69 BY 131 CM WITH A THICKNESS NOT EXCEEDING 15 CM.

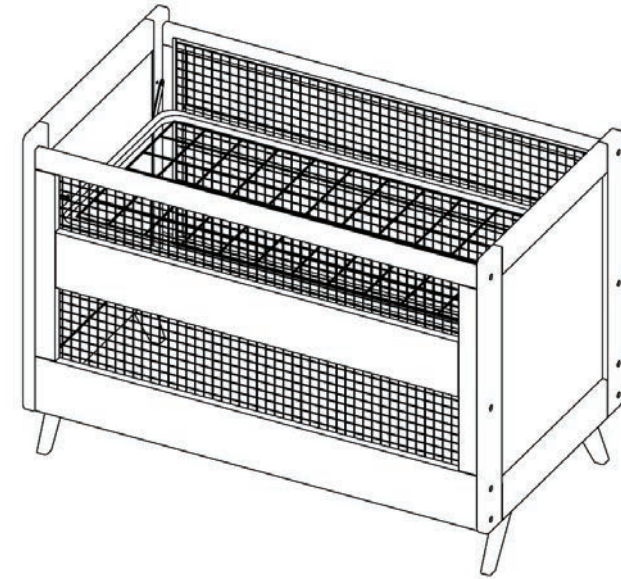
## ⚠ WARNING

- Infants can suffocate on soft bedding. Never add a pillow or comforter. Never place additional padding under an infant.
- Failure to follow these warnings and the assembly instructions could result in serious injury or death.
- To reduce the risk of SIDS, pediatricians recommend healthy infants be placed on their backs to sleep, unless otherwise advised by your physician.
- **Strangulation Hazard:** Strings can cause strangulation! DO NOT place items with a string around a child's neck, such as hood strings or pacifier cords. DO NOT suspend strings over a crib or attach strings to toys.
- **Strangulation Hazard:** To help prevent strangulation tighten all fasteners. A child can trap parts of the body or clothing on loose fasteners.
- **Strangulation Hazard:** DO NOT place crib near window or patio door where cords from blinds or drapes may strangle a child.
- **Fall Hazard:** When child is able to pull to a standing position, set mattress to lowest position and remove bumper pads, large toys and other objects that could serve as steps for climbing out. This crib has an adjustable mattress support.
- **Fall Hazard:** Stop using crib when child begins to climb out or reaches a height of 35 in. (89 cm).
- Check this product for damaged hardware, loose joints, loose bolts or other fasteners, missing parts, torn mesh/fabric, or sharp edges before and after assembly and frequently during use. Securely tighten loose bolts and other fasteners. DO NOT use crib if any parts are missing, damaged or broken. Contact BreathableBaby Customer Care for replacement parts and instructional literature if needed. DO NOT substitute parts.
- Follow warnings on all products in a crib.
- If refinishing, use a non-toxic finish specified for children's products.
- Never use plastic shipping bags or other plastic film as mattress covers because they can cause suffocation.
- Infants can suffocate in gaps between crib sides and a mattress that is too small.
- Read all instructions before assembling crib. Keep instructions for future use.

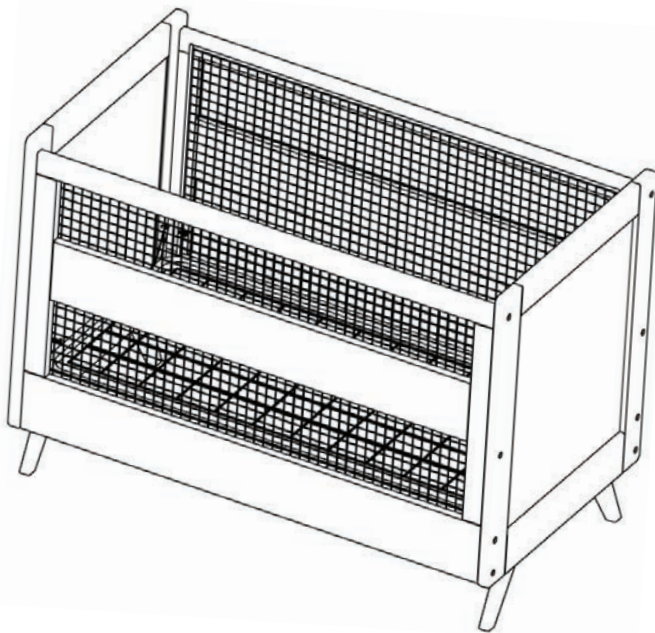
# Assembly Instructions

## Upper Level:

Mattress in top position.  
Move to bottom position  
when infant begins to push  
up on hands and knees, can  
roll over, or has reached  
20 lbs. (9.1 kg), whichever  
occurs first.



**UPPER LEVEL  
MATTRESS**



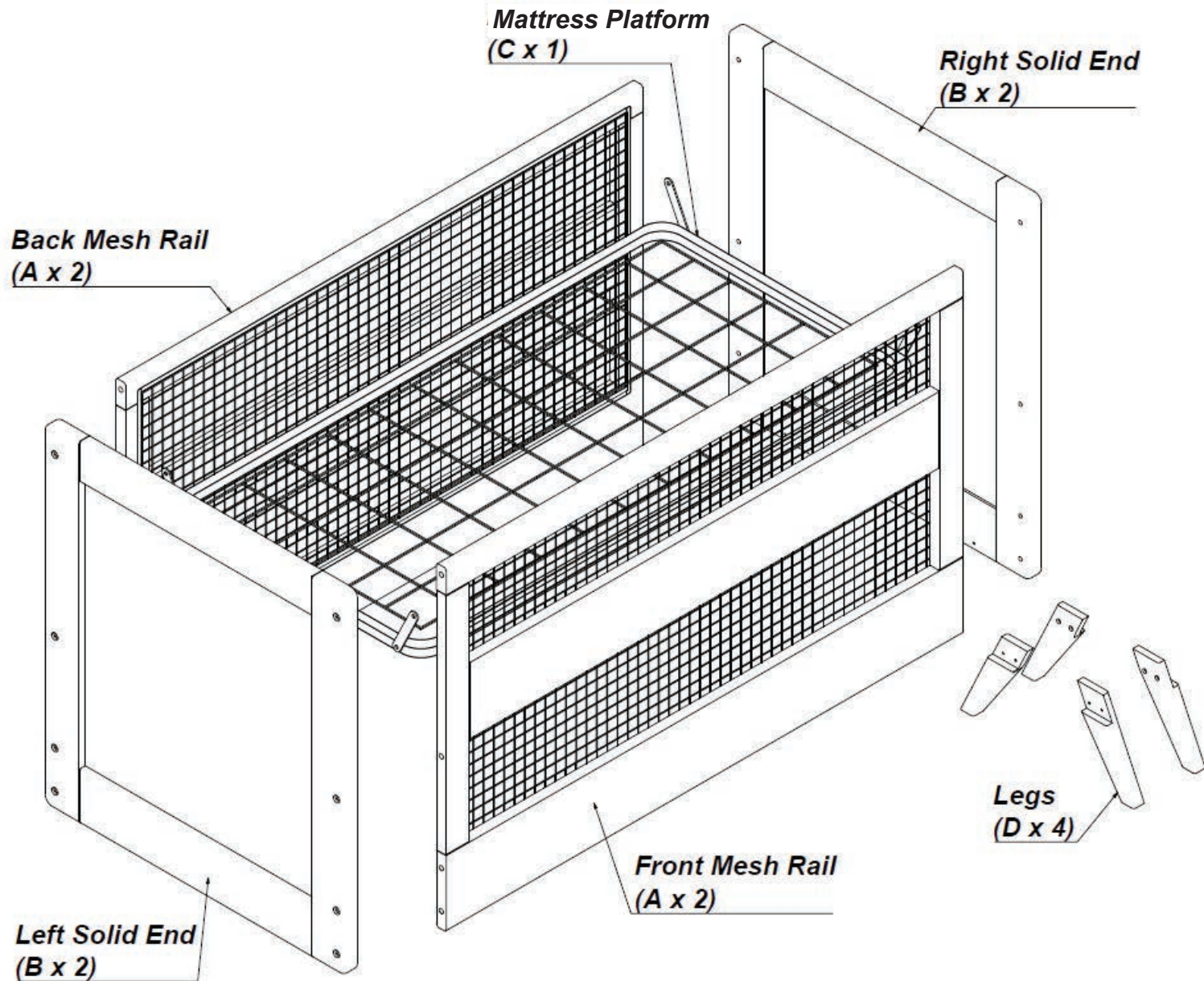
## Lower Level:

Mattress in bottom position. Discontinue use  
of the product when child is 24 months old,  
35 in. (89 cm) in height, or when able to  
climb out, whichever occurs first.  
Max weight 50 lbs. (22.7 kg).

**LOWER LEVEL MATTRESS**

# Parts List 1 of 2

**DO NOT USE IF ANY PART IS BROKEN, TORN, OR MISSING.  
CONTACT BREATHABLEBABY CUSTOMER CARE IN THAT EVENT.**



No drills necessary.  
Do not use power  
screwdriver.

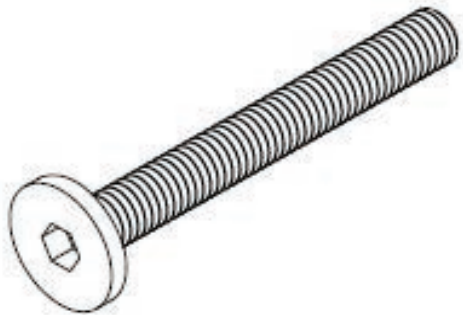
Required Tools:



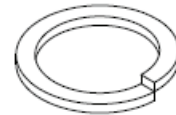
Allen Wrench supplied

For every bolt, be sure to  
hand tighten snugly but  
DO NOT over-tighten.

## Parts List 2 of 2



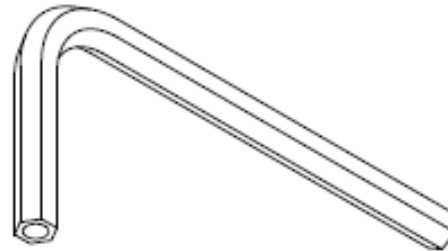
**(1) Bolts M6x50 = 16 pcs**



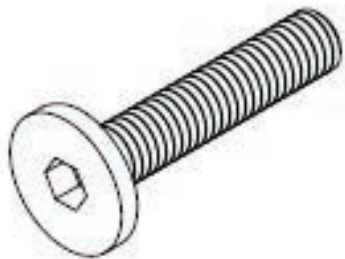
**(4) Lock Washer = 32 pcs**



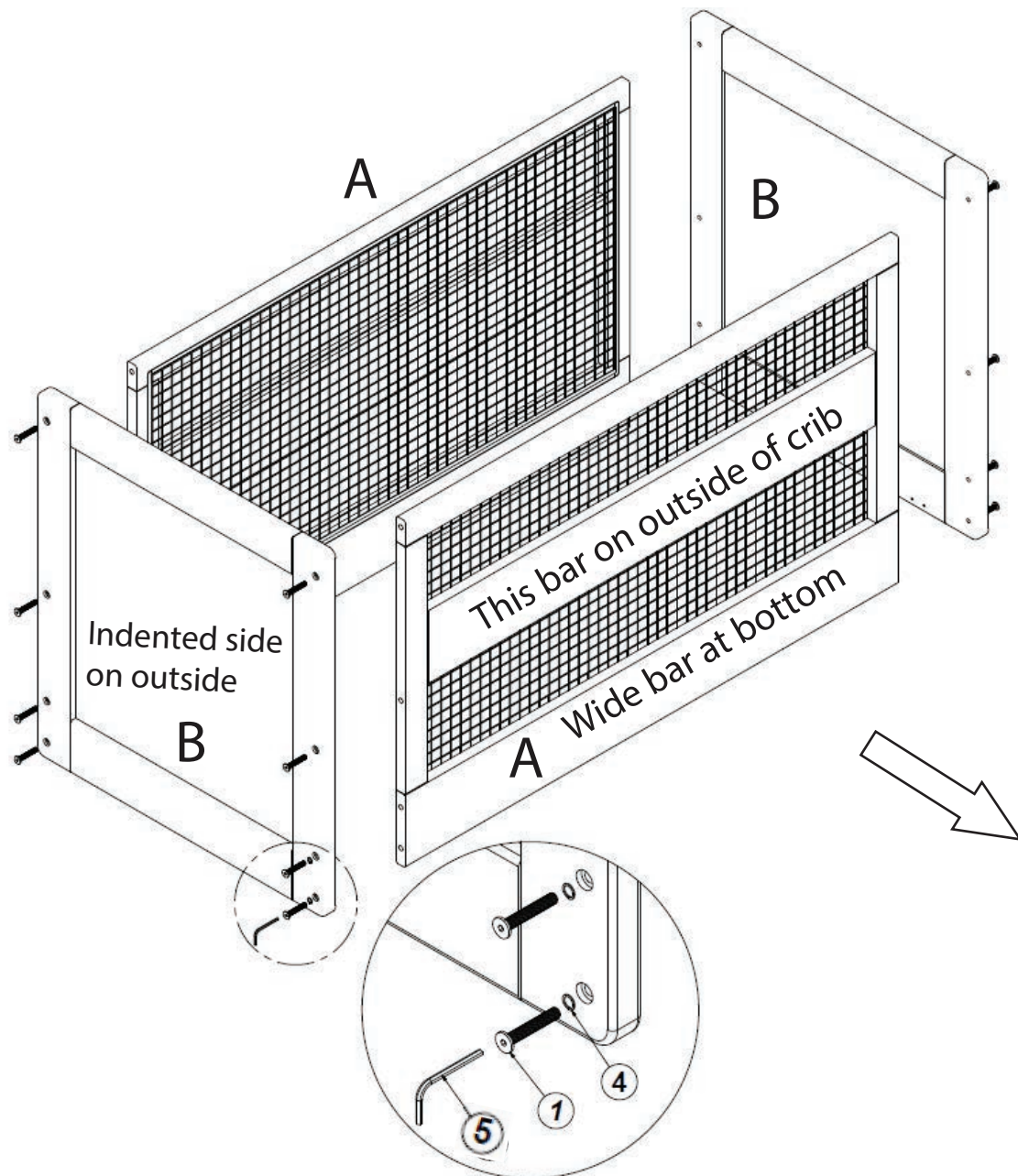
**(2) Bolts M6x20 = 4 pcs**



**(5) Allen Wrench = 1 pcs**



**(3) Bolts M6x30 = 12 pcs**

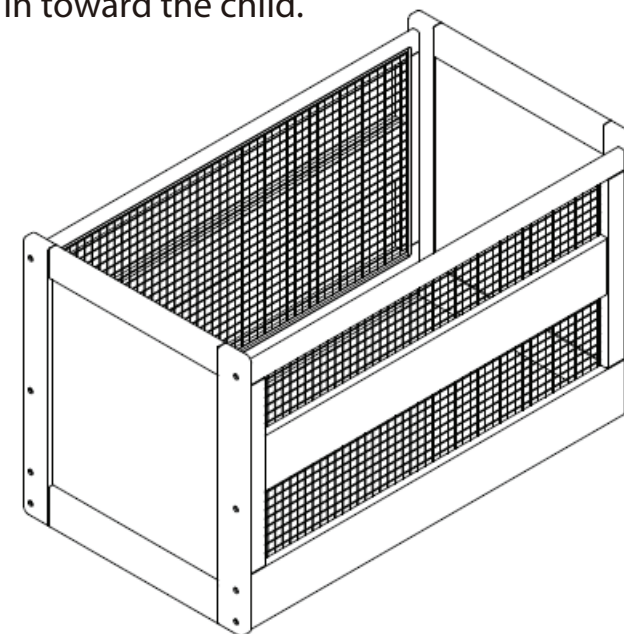


## Step 1

Attach (Part A) Back Mesh Rail and (Part B) Left Solid End with 4 (Part 1) Long Bolts and 4 (Part 4) Lock Washers. Attach (Part A) Front Mesh Rail also with 4 (Part 1) Long Bolts and 4 (Part 4) Lock Washers. Attached (Part B) Right Solid End to both (Part As) with 8 (Part 1) Long Bolts and 8 (Parts 4) Lock Washers. Tighten all bolts with Allen Wrench (Part 5).

**WARNING:** For the mesh panels, make sure the side with the middle support bar is installed facing out and on the outside of the crib. The side with flat mesh only should be on the inside facing child.

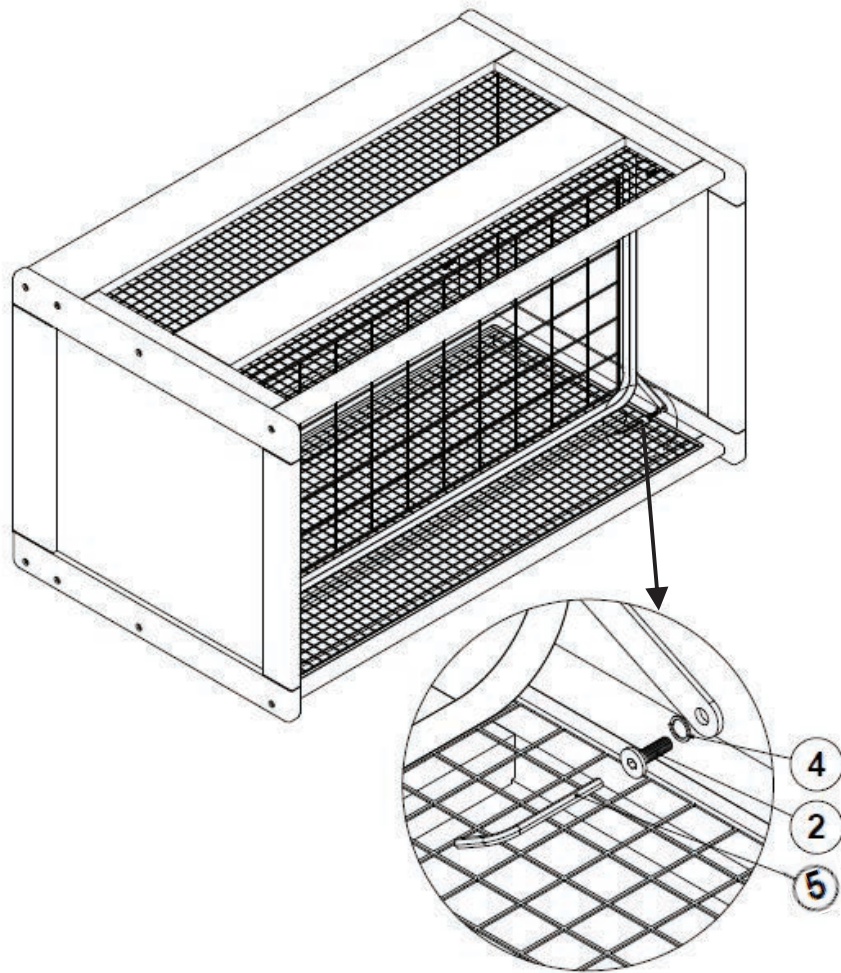
For the solid end panels, make sure the side with the indented panel is facing out and the flat side facing in toward the child.



# Option #1– For Upper Level Mattress Platform Position

The WARNINGS printed on the envelope attached to the mattress support must face up, and the springs must face up. Can use upper level until child is able to pull to a standing position, then set mattress to lowest position.

## Upper Level



**For Upper Level Mattress Only:** Attach the metal Mattress Platform (Part C) to the top 4 holes aligned on the inside of the end panels. Attach the Mattress Platform (Part C) in all corners using 1 (Part 2) Short Bolt and 1 (Part 4) Lock Washer in each corner. Tighten the 4 bolts total with the Allen Wrench (Part 5).

### **WARNING:**

Move mattress to bottom position when infant begins to push up on hands and knees, can roll over, or has reached 20 lbs. (9.1 kg), whichever occurs first.

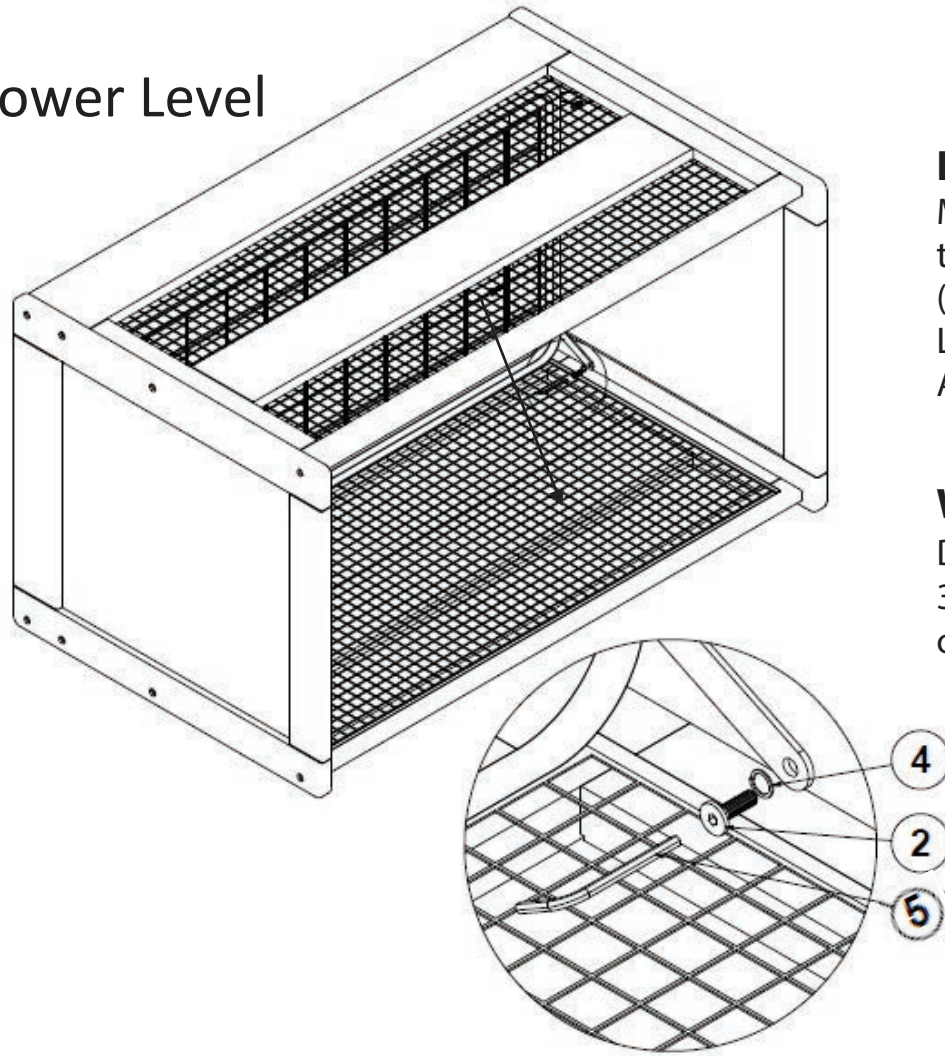
## Step 2A

For Upper Level Mattress Platform

## Option #2 – For Lower Level Mattress Platform Position

The WARNINGS printed on the envelope attached to the mattress support must face up, and the springs must face up. Can use upper level until child is able to pull to a standing position, then set mattress to lowest position.

### Lower Level



**For Lower Level Mattress Only:** Attach the metal Mattress Platform (Part C) to the bottom 4 holes aligned on the inside of the end panels. Attach the Mattress Platform (Part C) in all corners using 1 (Part 2) Short Bolt and 1 (Part 4) Lock Washer in each corner. Tighten the 4 bolts total with the Allen Wrench (Part 5).

### **WARNING:**

Discontinue use of the product when child is 24 months old, 35 in. (89 cm) in height, or when able to climb out, whichever occurs first. Max weight 50 lbs. (22.7 kg).

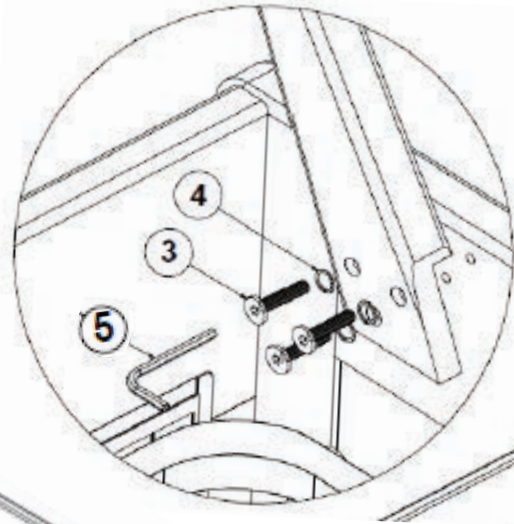
**Step 2B** (Only if assembled directly to Lower Level Mattress)

For Lower Level Mattress Platform

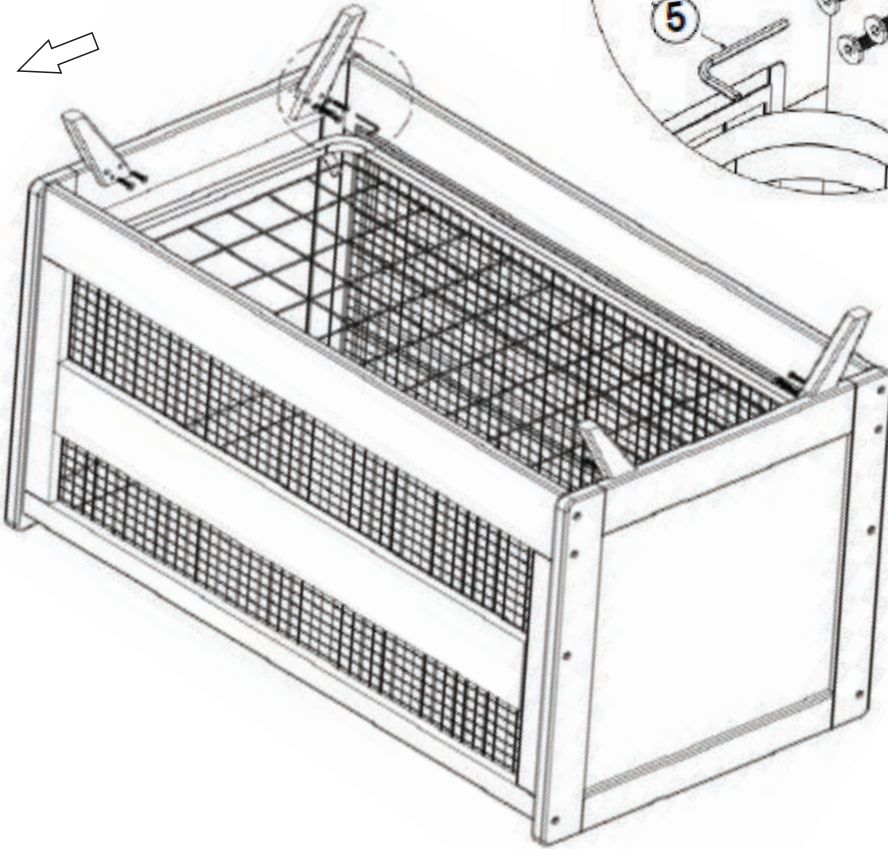


# Leg Attachment – Optional

**WARNING:** Make sure legs are installed slanted to the outside of the crib.



Legs slanted to outside of crib



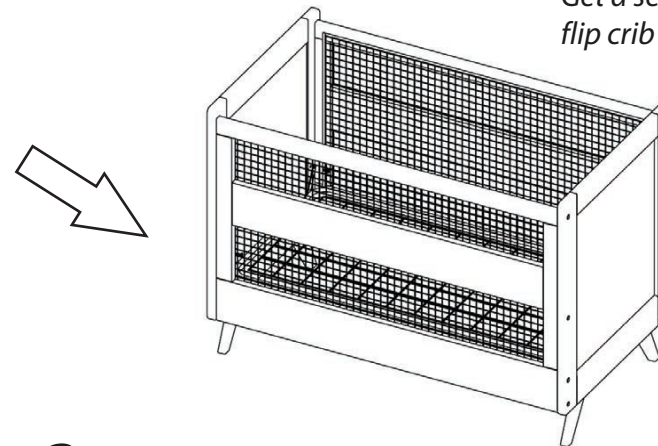
**Place crib upside down.** Attach 4x (Part D) Legs to holes on bottom of both (Part B) Solid Ends. Attach each leg with 2 (Part 3) Medium Bolts and 2 (Part 4) Lock Washers. Tighten the 8 bolts total with Allen Wrench (Part 5).

**Turn crib upright.** Be careful not to put too much pressure on legs while turning over.

**Enjoy your Breathable™ Mesh 3-in-1 Convertible Crib**

**WARNING:** if optional legs are not used, store legs and all extra hardware somewhere safely out of reach of child.

*Helpful Hint:  
Get a second person to help  
flip crib over.*



## Step 3

If optional legs are not used, use furniture pad underneath crib to protect floor from damage.



**BreathableBaby®**

**KEEP INSTRUCTIONS FOR FUTURE USE.  
RETURN TO STORAGE ENVELOPE AFFIXED TO CRIB MATTRESS PLATFORM  
WHEN NOT IN USE.**