



BreathableBaby[®]

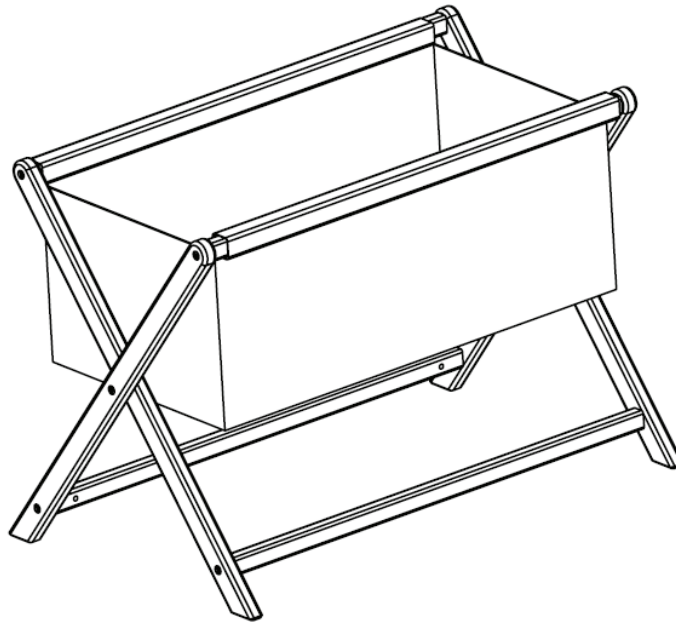
Read all instructions before assembly and use.

KEEP INSTRUCTIONS FOR FUTURE USE IN POCKET UNDERNEATH SLEEPER.

⚠ ADULT ASSEMBLY REQUIRED

Due to the presence of small parts during assembly, keep out of reach of children until assembly is complete.

Breathable™ Mesh Portable Sleeper



Customer Care:

Email: CustomerCare@breathablebaby.com

BreathableBaby, LLC.
600 Highway 169 South, Suite 800
St. Louis Park, MN 55426
Phone: 877-827-4442

This product is not intended for institutional or commercial use.

Ages 0–6 months or maximum weight of 18 lbs. Discontinue use when your baby begins to roll over or push up.

Style #:	<u>#####</u>
Lot:	<u>PO #</u>
Date:	<u>MM/YYYY</u>

To register your product for important safety alerts and updates to your product please visit **breathablebaby.com/registration**

Please do not return this item to the store before contacting us about missing parts or with any questions.

Care and Cleaning:

Frame: Do not scratch or chip the finish. Do not use abrasive chemicals for cleaning. Clean wood or mesh with mild soap on a soft rag. Wipe again with clean water and let dry thoroughly. If you ever refinish this furniture, be sure to use only a non-toxic finish specified for children’s products. As with all your fine furniture, blot up spills immediately.

Mesh Basket: Machine wash warm, gentle cycle. Wash separately. Only non-chlorine bleach when needed. Tumble dry low.

© 2020 BreathableBaby, LLC

WARNING

FAILURE TO FOLLOW THESE WARNINGS AND THE INSTRUCTIONS COULD RESULT IN SERIOUS INJURY OR DEATH.

KEEP INSTRUCTIONS FOR FUTURE USE. (Storage pocket provided on bottom of mesh basket)
DO NOT USE THIS PRODUCT IF YOU CANNOT EXACTLY FOLLOW THE INSTRUCTIONS THAT COME WITH IT.

THIS PRODUCT SHOULD BE FULLY ASSEMBLED PRIOR TO USE.

SUFFOCATION HAZARD- Infants have suffocated:







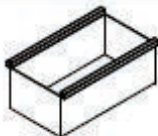


- In gaps between extra padding and side of the bassinet/cradle, and
- On soft bedding.
- Use **ONLY** the mattress provided by BreathableBaby.
- **NEVER** add a pillow, comforter, or another mattress for padding.
- If a sheet is used with the mattress, use only a sheet specifically designed to fit the dimension of the mattress 18" x 36" x 1".

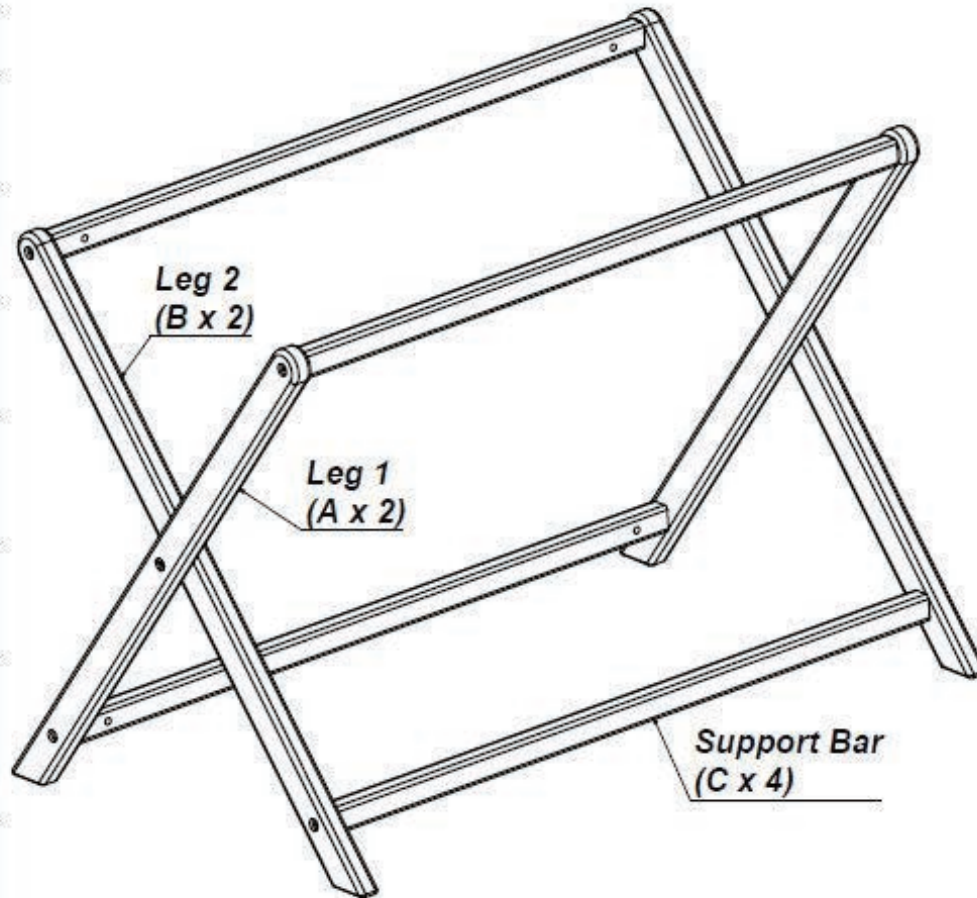
FALL HAZARD- To help prevent falls, do not use this product when the infant begins to push up on hands and knees, can rollover or has reached 18 lbs., whichever comes first.

- To help prevent falls, do not use this product when the infant begins to push up on hands and knees, can roll over or has reached 18 lbs., whichever comes first.
- Always use all required parts as per the instruction manual.
- **NEVER** use this product if there are any loose or missing fasteners, loose joints, broken parts, or torn mesh/fabric. Check instruction manual for a list of required parts. Check before assembly and periodically during use. **DO NOT** substitute parts. Contact BreathableBaby if replacement parts or instructions are needed.
- To reduce the risk of SIDS, pediatricians recommend healthy infants be placed on their back to sleep, unless otherwise advised by your physician.
- Strings can cause strangulation! **DO NOT** place items with a string around a child's neck such as hood strings or pacifier cords. **DO NOT** suspend strings over product or attach strings to toys.
- **NEVER** place product near window where cords from blinds or drapes can strangle a child.
- **NEVER** use plastic shipping bags or other plastic film as mattress covers not sold and intended for that purpose. They can cause suffocation.
- **DO NOT** carry product with child in it.
- **DO NOT** place more than one child in product.
- If refinishing, use a nontoxic finish specified for children's products.
- Always provide the supervision necessary for the continued safety of your child.

© 2020 BreathableBaby, LLC. 600 HIGHWAY 169 S, SUITE 800, ST. LOUIS PARK, MN 55426
USA PHONE: 877-827-4442

PARTS LIST

Part List	
	(1) Lock washer = 10 PCS
	(2) Plastic washer = 2 PCS
	(3) Allen Wrench = 1 PC
	(4) Bolt M6x40 = 2 PCS
	(5) Bolt M6x60 = 8 PCS
	(6) Barrel Nut M6 = 8 PCS
	(7) Mesh Basket = 1 PC
	(8) MDF Platform = 1 PC
	(9) Mattress = 1 PC



No drills necessary.
Do not use power
screwdriver.

Required Tools:

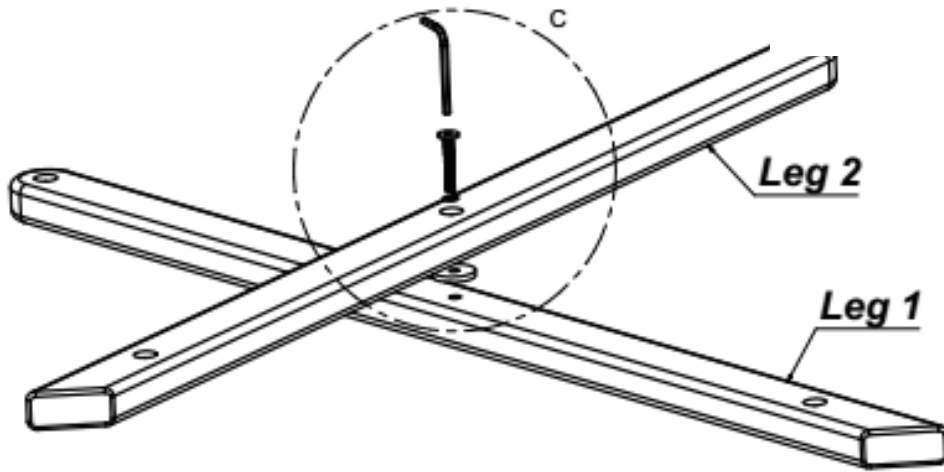


Allen Wrench supplied
Screwdriver (not included)

For every bolt, be sure to
hand tighten snugly but DO
NOT over-tighten.

ASSEMBLY INSTRUCTIONS

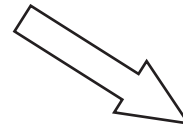
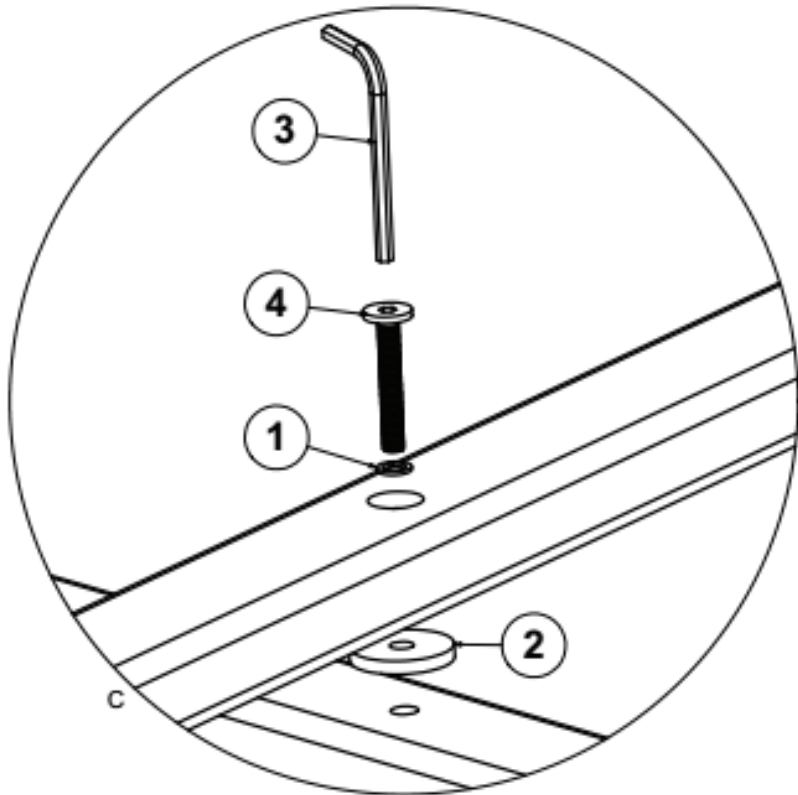
Step 1



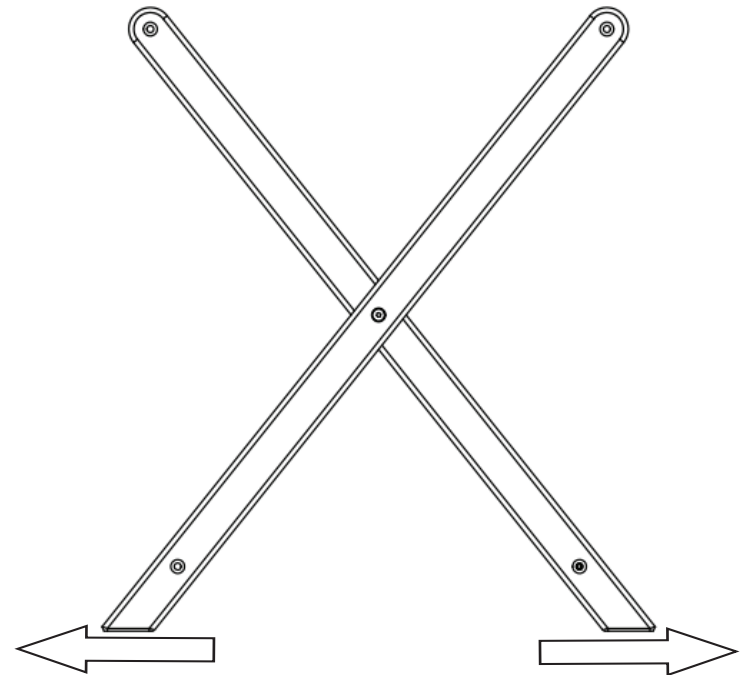
OUTSIDE LEG ASSEMBLY:

Lay Leg 1 (Part A) on floor with the center hole with the installed threaded nut facing up. Place Plastic Washer (Part 2) over the hole. Place Leg 2 (Part B) on top with the side with larger holes facing up. Slide Lock Washer (Part 1) on short Bolt (Part 4) and insert through the Leg 2 and the Plastic Washer into Leg 1. Tighten bolt with Allen Wrench (Part 3).

REPEAT ABOVE STEPS WITH REMAINING SET OF LEGS 1 and LEGS 2.



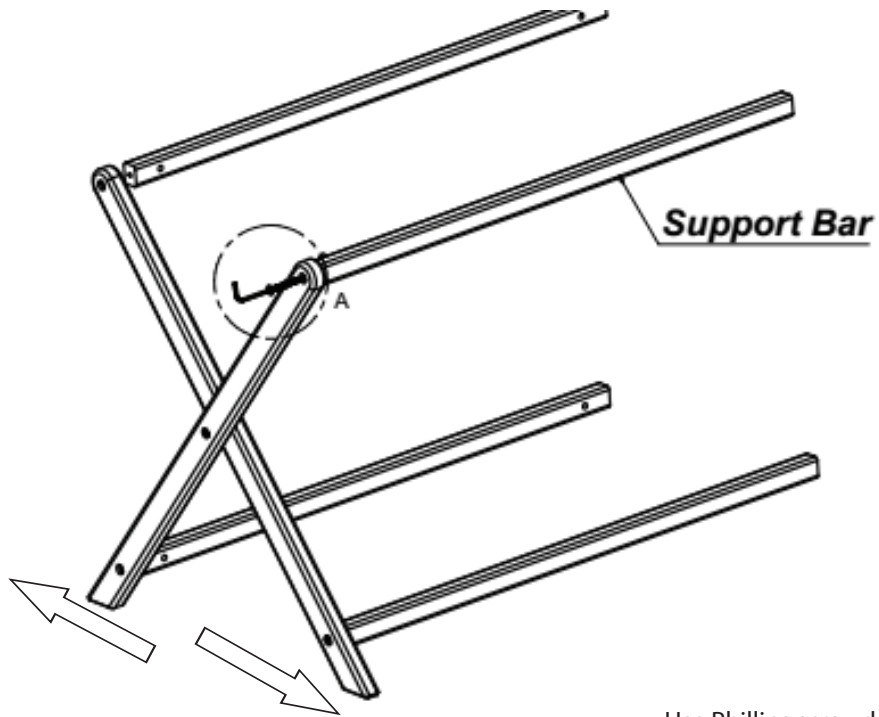
Important:
Front leg - Top corner faces **LEFT**
Back leg - Top corner faces **RIGHT**



Make sure legs are pointing out like drawing

ASSEMBLY INSTRUCTIONS

Step 2



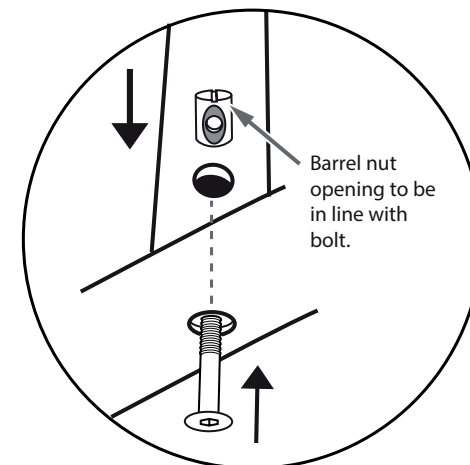
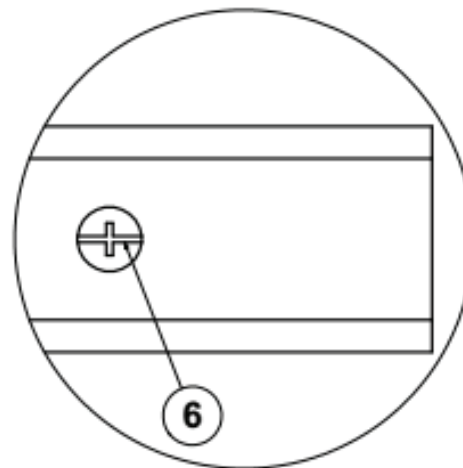
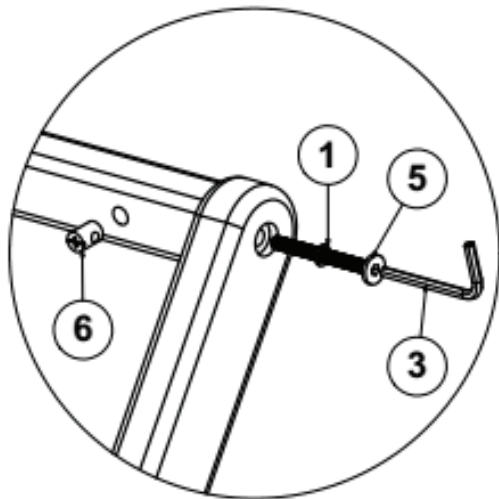
Make sure legs are pointing out like drawing

ATTACH SUPPORT BARS TO OUTSIDE LEGS:

Attach the 4 Support Bars (Part C) to Leg 1 and Leg 2. Insert Barrel Nut (Part 6) into the holes near end of bar. Align long slot on top of barrel nut facing toward the end of the support bar. Slide a Lock Washer (Part 1) onto each of the long Bolts (Part 5). Insert long Bolt through holes in the top and bottom of each leg and insert into opening on end of Support Bar. Align bolt with Barrel Nut and tighten bolt with Allen Wrench.

Repeat until all 4 Support Bars are attached to 1 set of the outside legs.

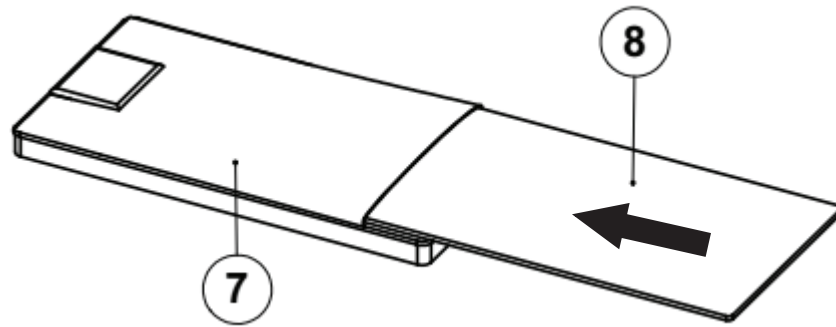
Use Phillips screwdriver or Flat screwdriver (not provided) to adjust the Barrel Nuts as below.



Insert Barrel Nuts (6) to both ends of Support Bars (C)

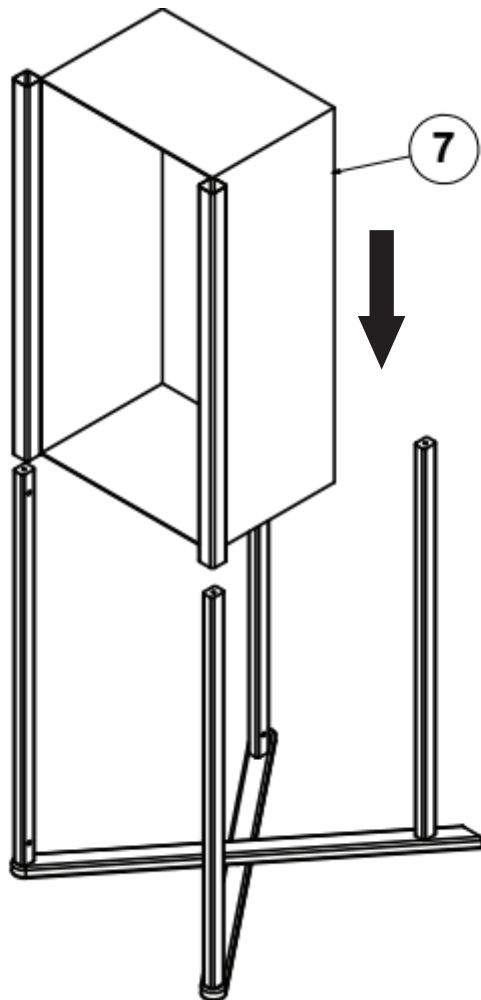
ASSEMBLY INSTRUCTIONS

Step 3



INSERT SLEEP PLATFORM AND ATTACH MESH BASKET:
Slip the Sleep Platform (Part 8) into the large pocket on the underside of the Mesh Basket (Part 7). Open long flap to insert and close securely with hook and loop after inserted.

Lay Legs on floor with support bars facing up. Take the Mesh Basket and first insert the Support Bars into the corner loops as Fig. 1. Then make sure the Support Bars are threaded through the long tunnels of mesh that will cover the bars. When at the end of tunnel, attach the final 2 corner loops over the end of the Support Bars.



Important::
Make sure all 4 of the corner loops are installed over the Support Bars.
DO NOT USE without all 4 corner loops over support bars.

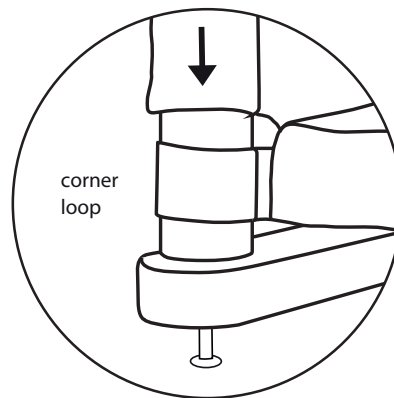
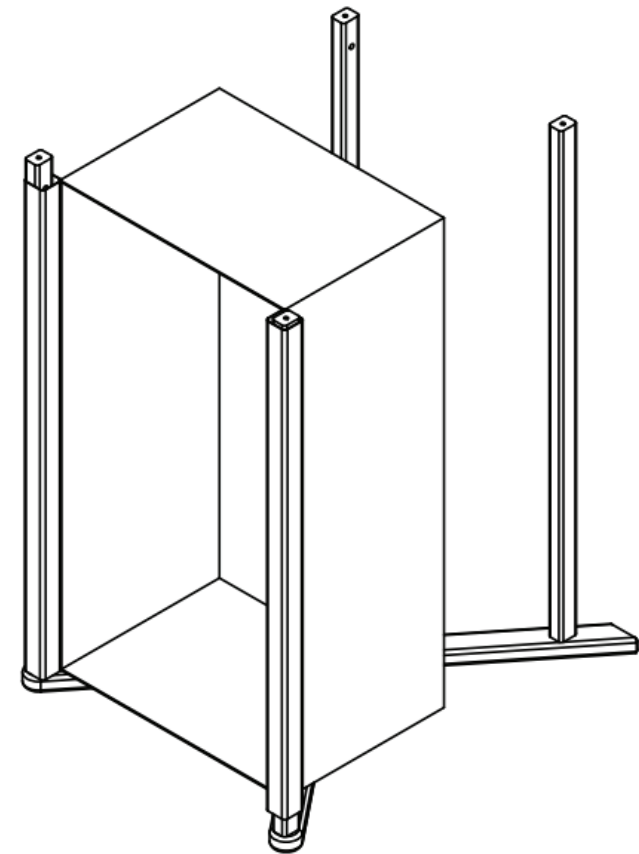
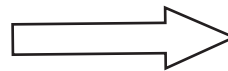


FIG. 1



ASSEMBLY INSTRUCTIONS

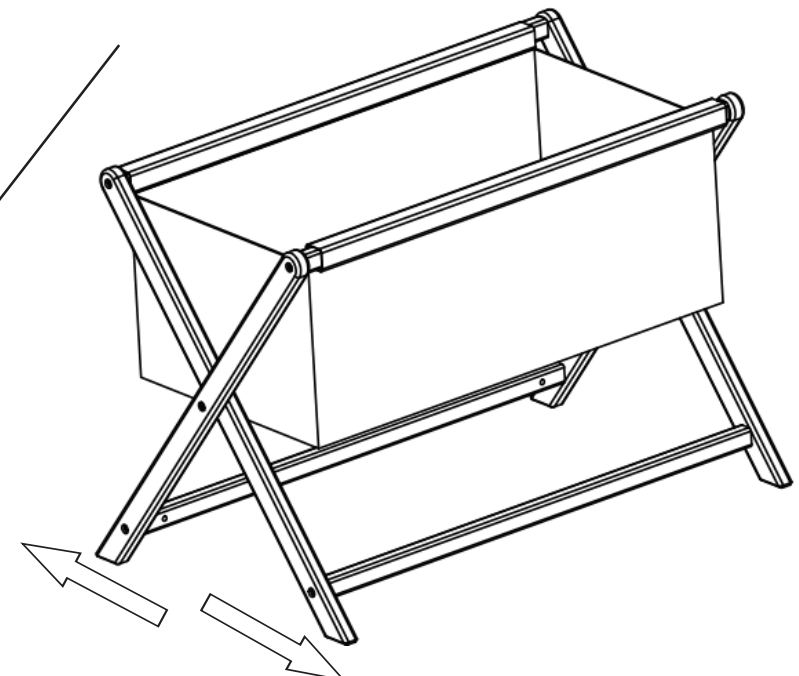
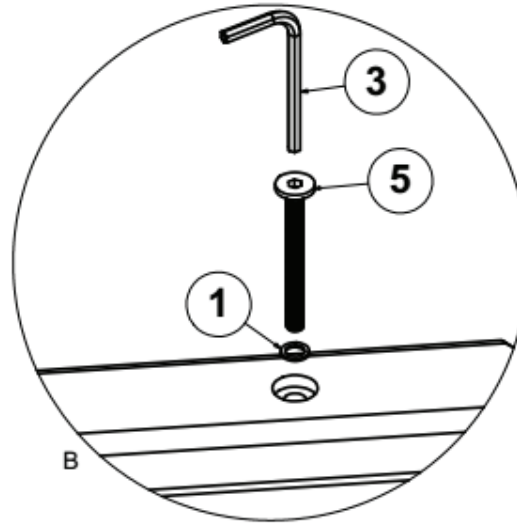
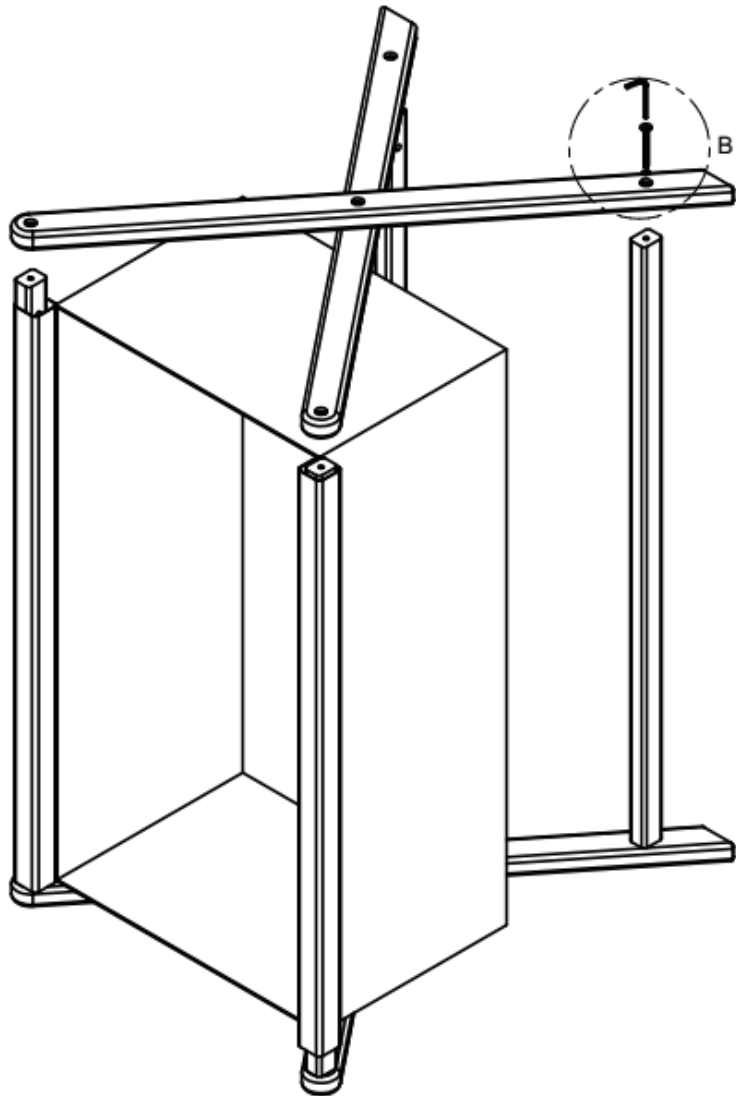
Step 4

ATTACH OTHER SET OF LEGS TO SUPPORT BARS:

Repeat instructions of Step #2 to attach the remaining set of legs to the other end of the Support Bars.

Insert Mattress (Part 9) into the Mesh Basket.

Enjoy your Breathable™ Mesh Portable Sleeper!





BreathableBaby®

**KEEP INSTRUCTIONS FOR FUTURE USE.
A POCKET IS SEWN INTO THE UNDERSIDE OF THE PRODUCT FOR THE
INSTRUCTIONS TO BE STORED FOR EASY ACCESS WHEN NOT IN USE.**