

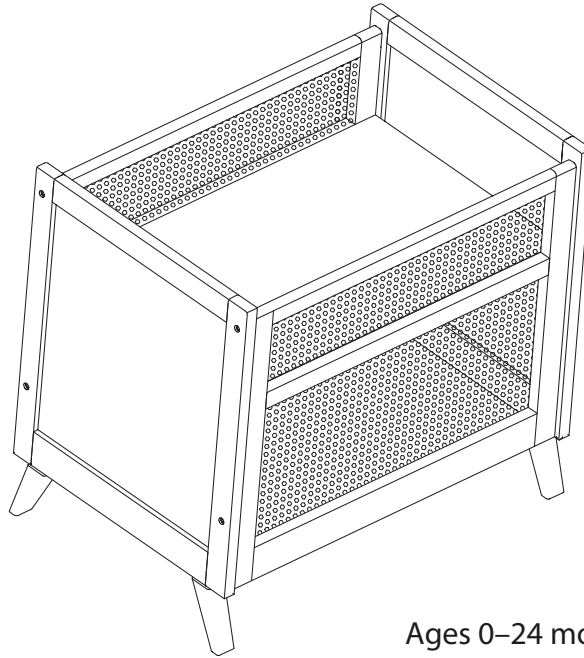


Read all instructions before assembly and use.
KEEP INSTRUCTIONS FOR FUTURE USE.

▲ ADULT ASSEMBLY REQUIRED

Due to the presence of small parts during assembly,
keep out of reach of children until assembly is complete.

Breathable™ Mesh Mini Crib



Ages 0–24 months
(or 35" tall)

Customer Care:

Email: CustomerCare@breathablebaby.com

BreathableBaby, LLC.
600 Highway 169 South, Suite 800
St. Louis Park, MN 55426
Phone: 877-827-4442

This product is not intended for institutional or commercial use.

Style #:	50118
Lot:	PO #
Date:	MM/YYYY

To register your product for important safety alerts and updates to your product please visit
breathablebaby.com/registration

Please do not return this item to the store before contacting us about missing parts or with any questions.

Care and Cleaning:

Do not scratch or chip the finish. Do not use abrasive chemicals for cleaning.
Clean wood or mesh with mild soap on a soft rag. Wipe again with clean water and let dry thoroughly.
If you ever refinish this furniture, be sure to use only a non-toxic finish specified for children's products.
As with all your fine furniture, blot up spills immediately.

If optional legs are not used, use pad underneath crib to prevent scratches to floor.

WARNING:

FAILURE TO FOLLOW THESE WARNINGS AND THE INSTRUCTIONS COULD RESULT IN SERIOUS INJURY OR DEATH. DO NOT USE THIS PRODUCT IF YOU CANNOT EXACTLY FOLLOW THE INSTRUCTIONS THAT COME WITH IT. THIS PRODUCT SHOULD BE FULLY ASSEMBLED PRIOR TO USE.

SUFFOCATION HAZARD-Infants have suffocated:

- In gaps between extra padding and side of the product.
- On soft bedding.
- Use **ONLY** mattress/pad provided by BreathableBaby, LLC (which must be at least 37 1/2 inches long by 23 1/2 inches wide and not more than 1 1/2 inches thick). Call BreathableBaby for replacement.
- **NEVER** add a pillow, comforter, or another mattress for padding.
- If a sheet is used with the pad, use only the one provided by BreathableBaby, LLC. Call BreathableBaby for additional sheets.
- To reduce the risk of SIDS, pediatricians recommend healthy infants be placed on their back to sleep, unless otherwise advised by your physician.

WARNING:

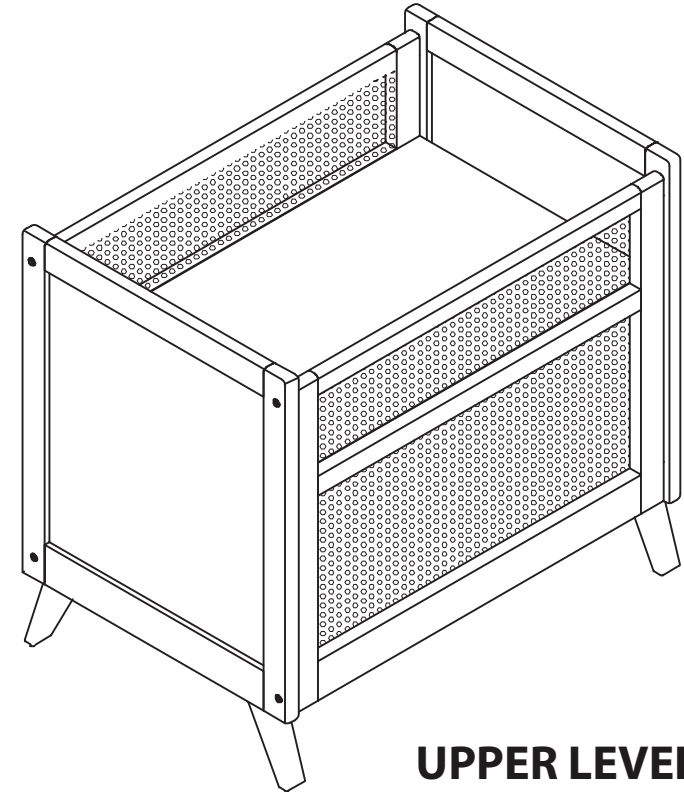
FALL HAZARD

- Discontinue use of the product when child is able to climb out or reaches the height of 35 in. (890 mm).
- When child is able to pull to standing position, set mattress/base to lowest adjustment position and remove bumper pads, large toys, and other objects that could serve as steps for climbing out.
- The product, including side rails, must be fully erected prior to use.
- Child can become entrapped and die when improvised netting or covers are placed on top of a product. **NEVER** add such items to confine child in product.
- Always use all required parts.
- **NEVER** use this product if there are any loose or missing fasteners, loose joints, broken parts, or torn mesh/fabric. Check instruction manual for a list of required parts. Check before assembly and periodically during use. **DO NOT** substitute parts. Contact BreathableBaby, LLC. if replacement parts or instructions are needed.
- Strings can cause strangulation! **NEVER** place items with a string around a child's neck such as hood strings or pacifier cords. **NEVER** suspend strings over product or attach strings to toys.
- Make sure latches are secure.
- **NEVER** place product near window where cords from blinds or drapes can strangle a child.
- **NEVER** use plastic shipping bags or other plastic film as mattress covers not sold and intended for that purpose. They can cause suffocation.
- **NEVER** use a water mattress with this product.
- If refinishing, use a nontoxic finish specified for children's products.
- **NEVER** place product near patio doors with cords where a child could reach the cord and be strangled, or hang strings over the product or place items with a string around an infant's neck or attach strings to toys.
- **DO NOT** place any cord or strap or similar item in or near this product that could become wrapped around a child's neck.
- Assure that platform is attached securely to support brackets with provided screws.
- Always provide the supervision necessary for the continued safety of your child. When used for playing, never leave child unattended.

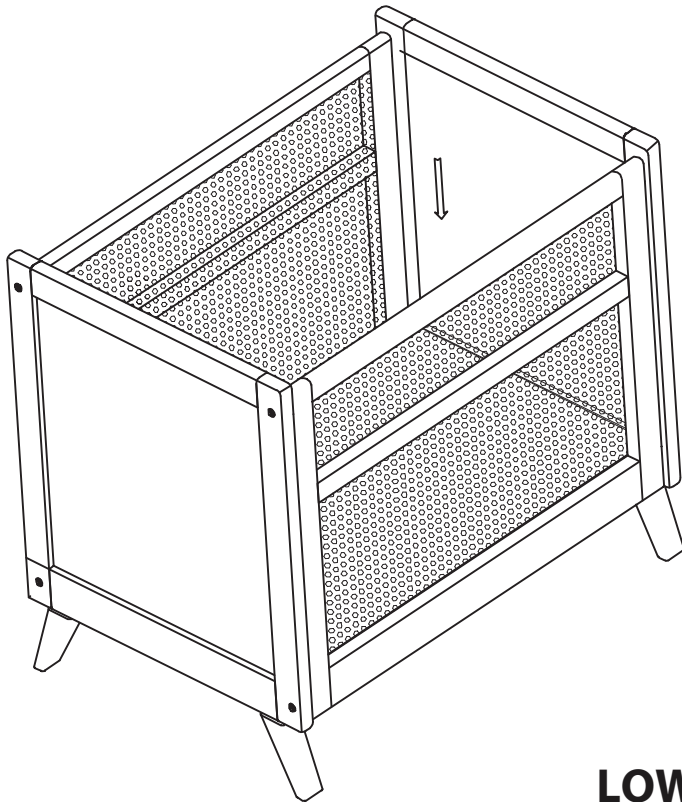
Assembly Instructions

Upper Level:

Mattress in top position.
Move to bottom position
when infant begins to push
up on hands and knees,
can roll over or has reached
20 lbs., whichever comes first.



**UPPER LEVEL
MATTRESS –
MINI CRIB**



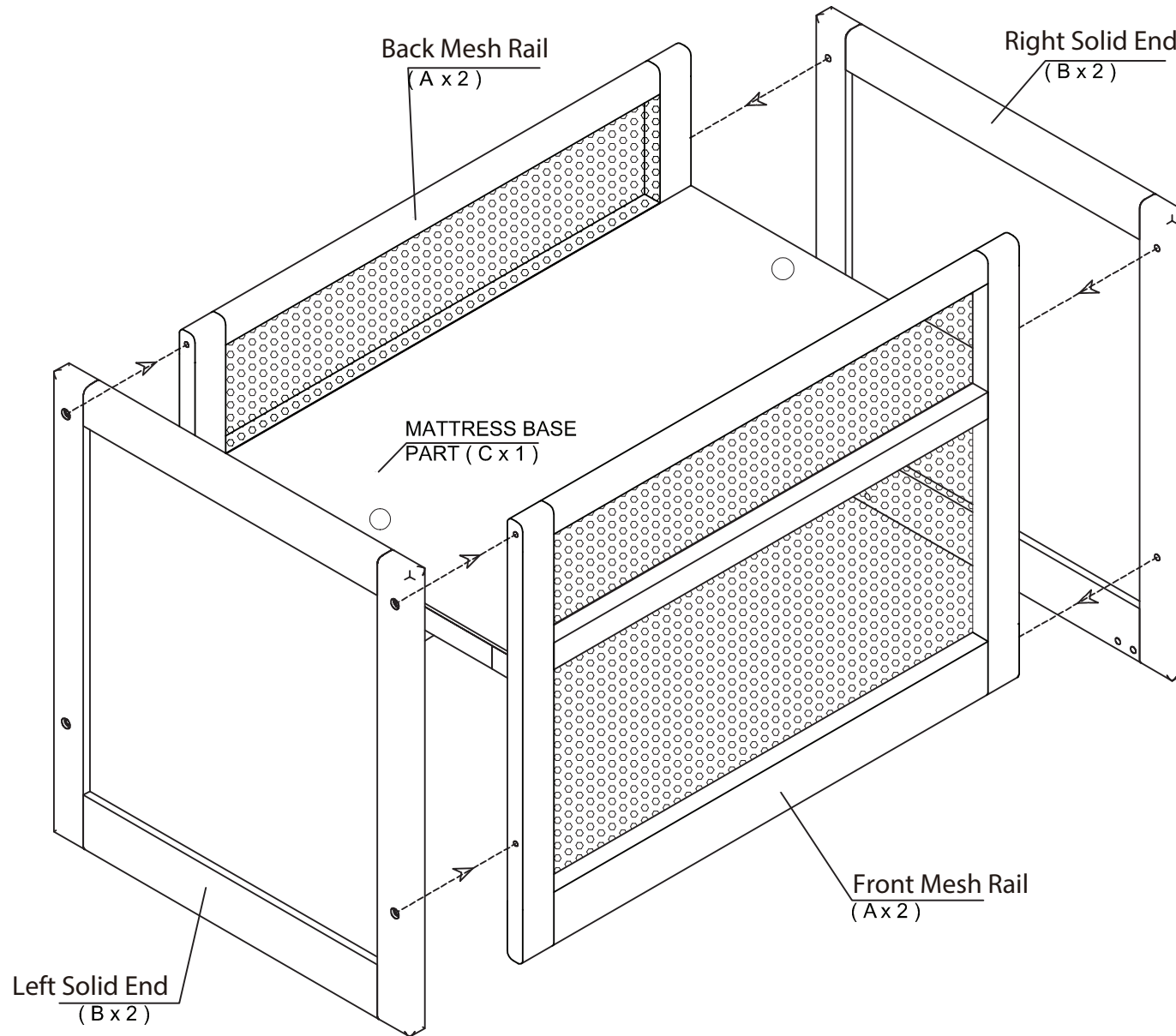
Lower Level:

Mattress in bottom position.
Discontinue use of the product
when child is able to climb out
or reaches the height of 35 in.

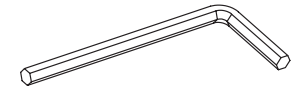
LOWER LEVEL MATTRESS – MINI CRIB

Parts List 1 of 2

**DO NOT USE IF ANY PART IS BROKEN, TORN, OR MISSING.
CONTACT BREATHABLEBABY CUSTOMER CARE IN THAT EVENT.**

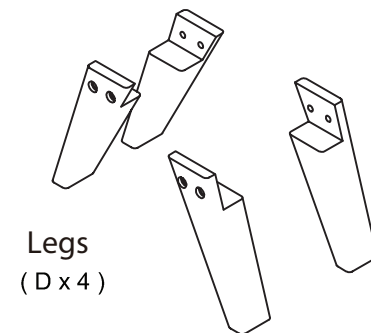


Required Tools:

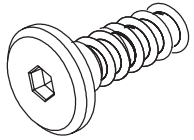


Allen Wrench supplied

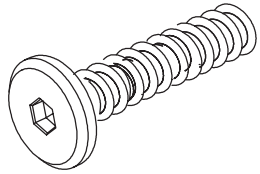
For every bolt, be sure to
hand tighten snugly but
DO NOT over-tighten.



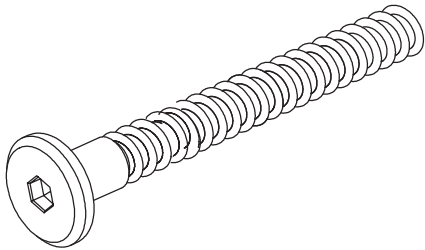
Parts List 2 of 2



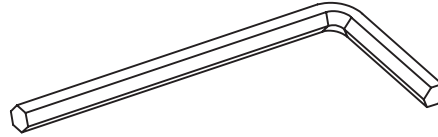
① **Bolts M6 x 20mm = 8 pcs**



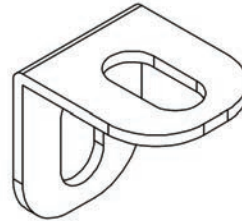
② **Bolts M6 x 30mm = 8 pcs**



③ **Bolts M6 x 50mm = 8 pcs**



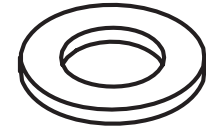
④ **Allen Wrench = 1 pc**



⑤ **L-Brackets = 4 pcs**



⑥ **Lock Washers = 24 pcs**



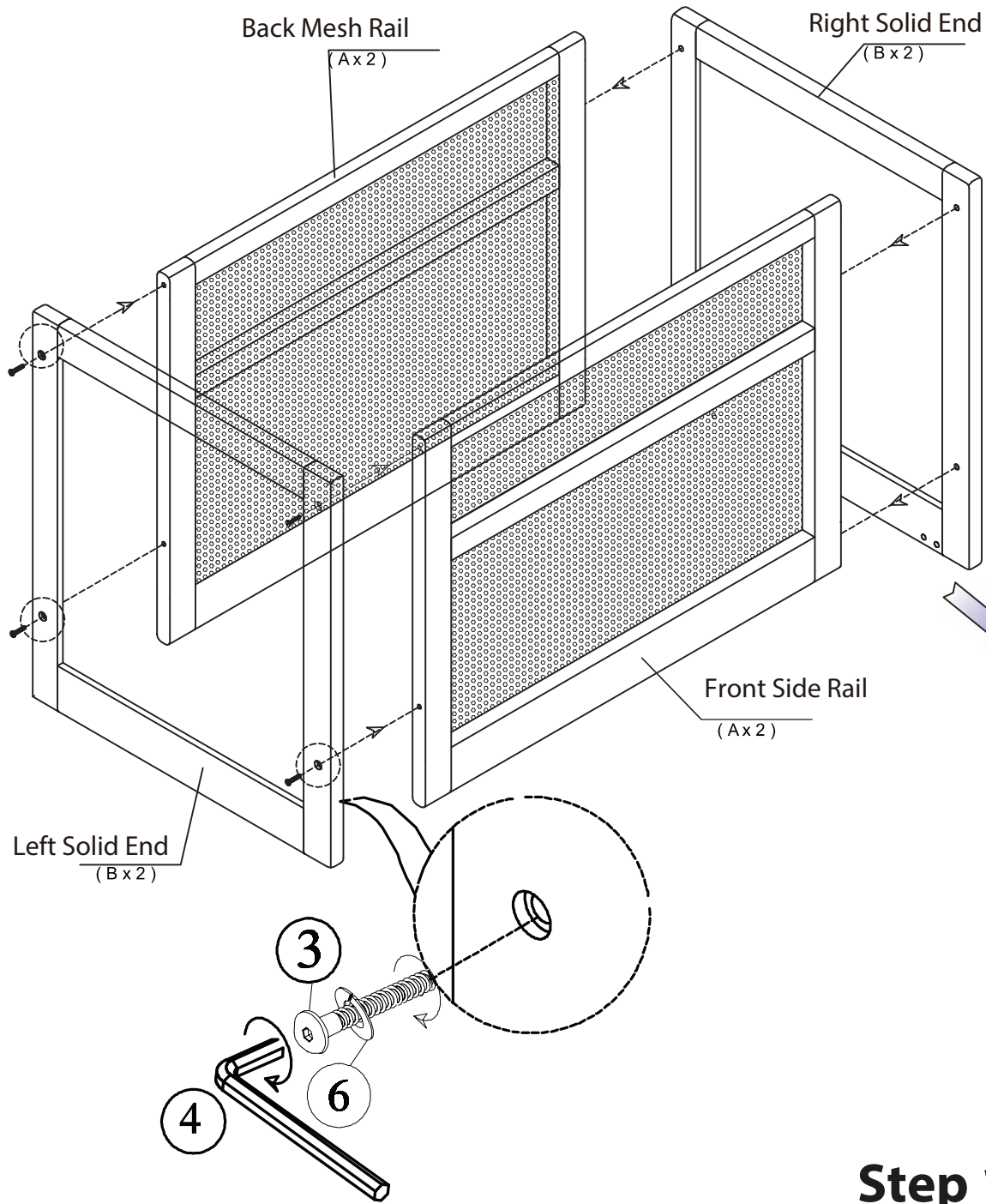
⑦ **Flat Washers = 8 pcs**

⑧ **Mattress Pad (E x 1)**



⑨ **Sheet (F x 1)**

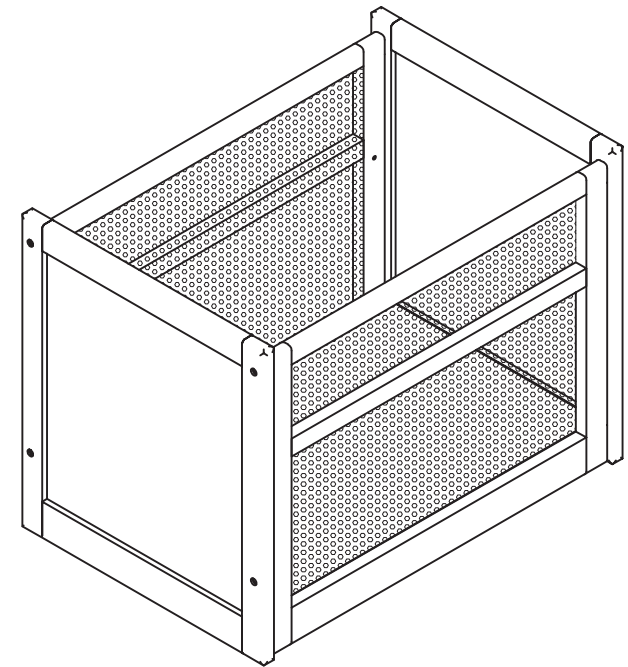




Attach (Part A) Back Mesh Rail and (Part B) Left Solid End with 2 (Part 3) Bolts and (Part 6) lock washers. Attach (Part A) Front Mesh Side Rail also with 2 (Part 3) Bolts and (Part 6) lock washers. Attached (Part B) Right Solid End to both (Part As) with 4 (Part 3) Bolts and (Parts 6) lock washers.

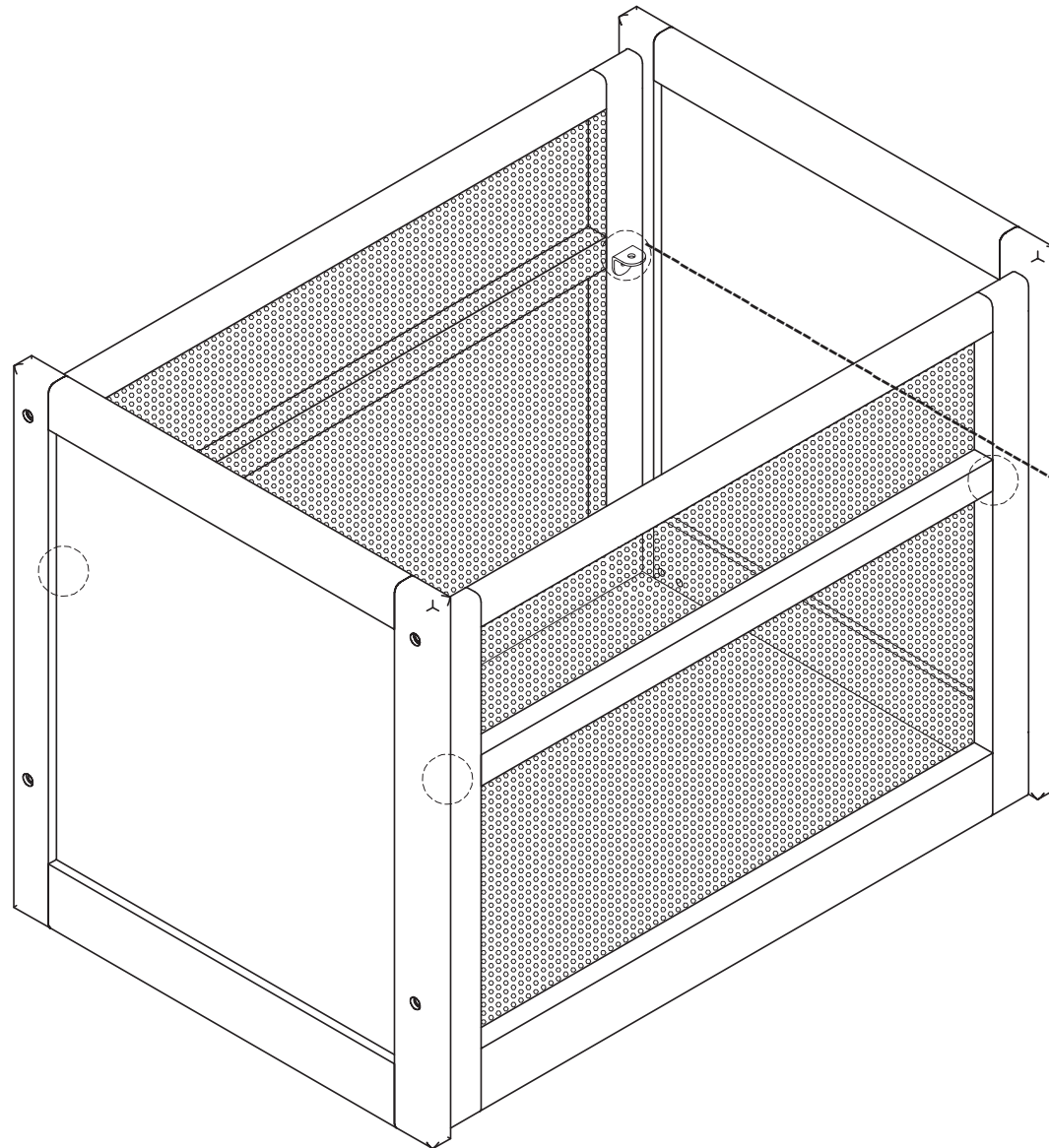
WARNING: For the mesh panels, make sure the side with the support bars is installed facing out and on the outside of the crib. The side with flat mesh only should be on the inside facing child.

For the solid end panels, make sure the side with the indented panel is facing out and the flat side facing in toward the child.

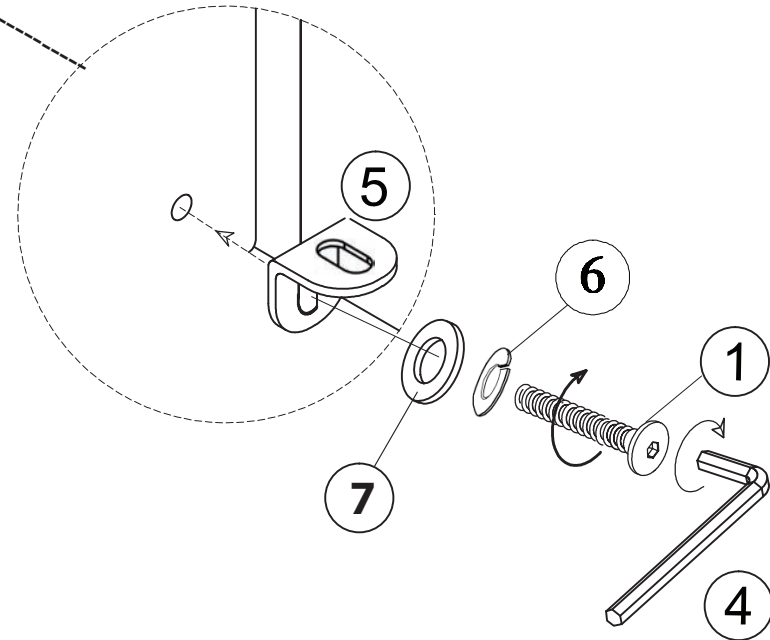


Step 1

Option #1- For Upper Level Mattress Platform Position



For Upper Level Mattress Only: Attach the 4 (Part 5) L-Brackets to the 4 holes on the inside of the mesh rails just below the outside support bar on both insides of the crib with (Part 1) Bolts and (Part 6) Lock Washer and (Part 7) Flat Washer onto the bolt. Make sure the L-Bracket has the flat side facing upwards and level so the mattress platform can rest on top. See "circles" on this image for approximate placement of the 4 L-Brackets.

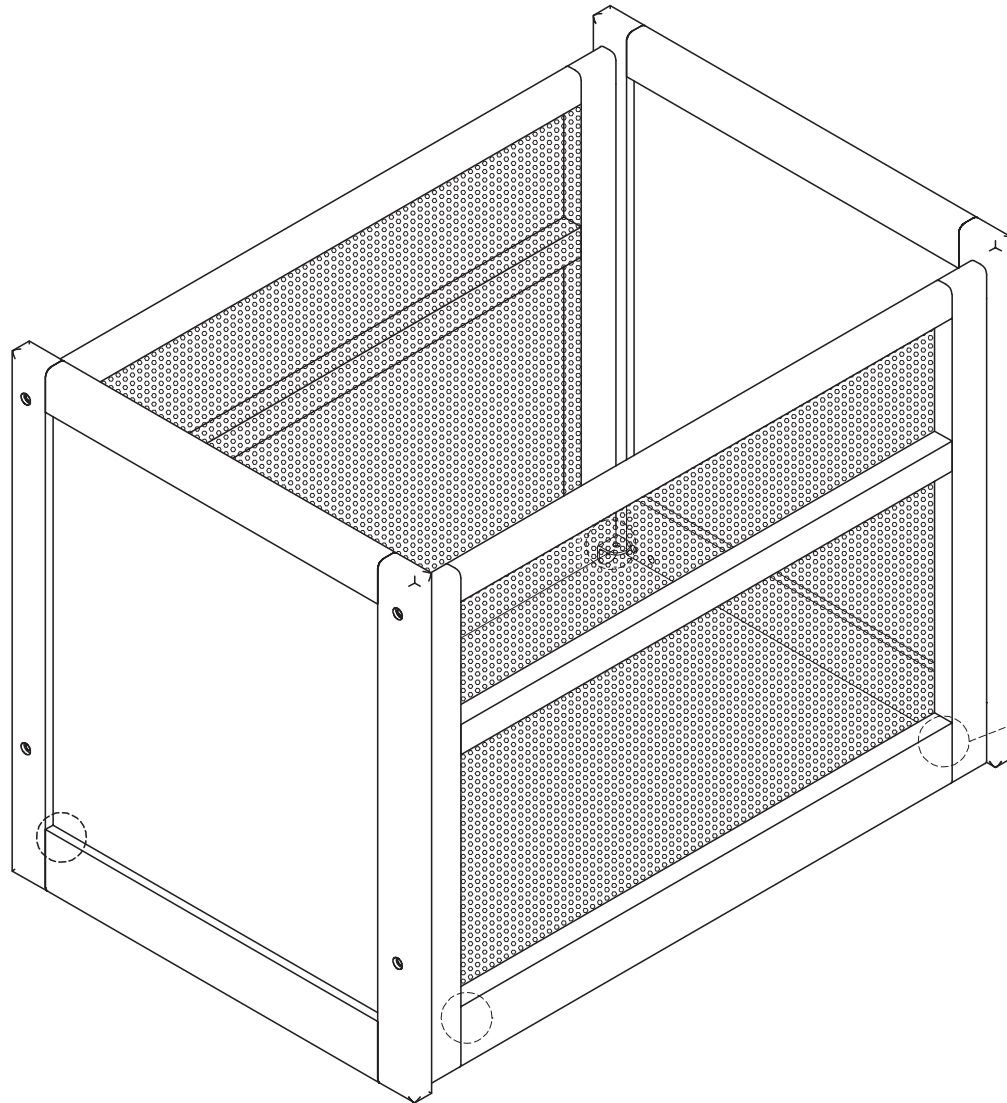


WARNING: Move to Lower Level when infant begins to push up on hands and knees, can roll over or has reached 20 lbs., whichever comes first.

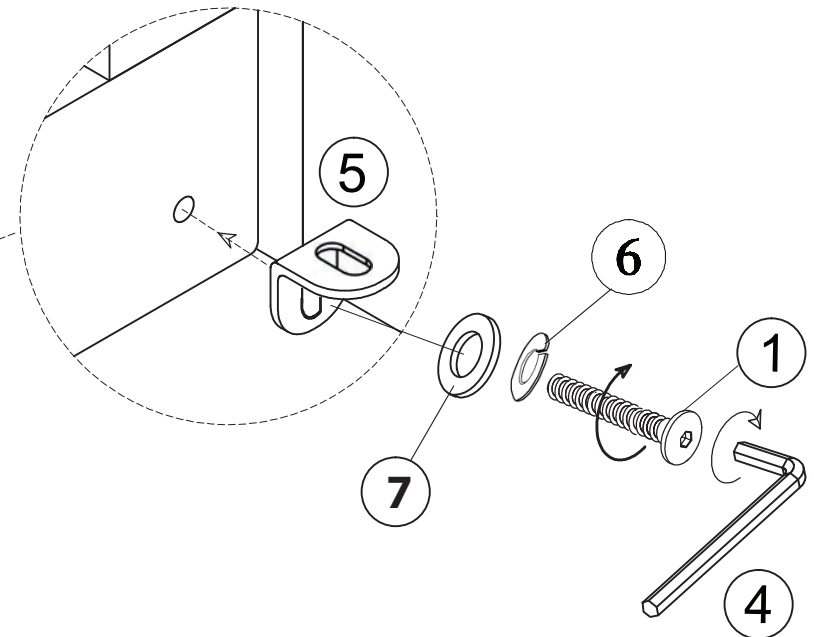
Step 2A

For Upper Level Mattress Platform

Option #2- For Lower Level Mattress Platform Position



For Lower Level Mattress Only: Attach the 4 (Part 5) L-Brackets to the 4 holes on the inside of the mesh rails near the bottom on both insides of the crib with (Part 1) Bolts and (Part 6) Lock Washer and (Part 7) Flat Washer onto the bolt. Make sure the L-Bracket has the flat side facing upwards and level so the mattress platform can rest on top. See "circles" on this image for approximate placement of the 4 L-Brackets.

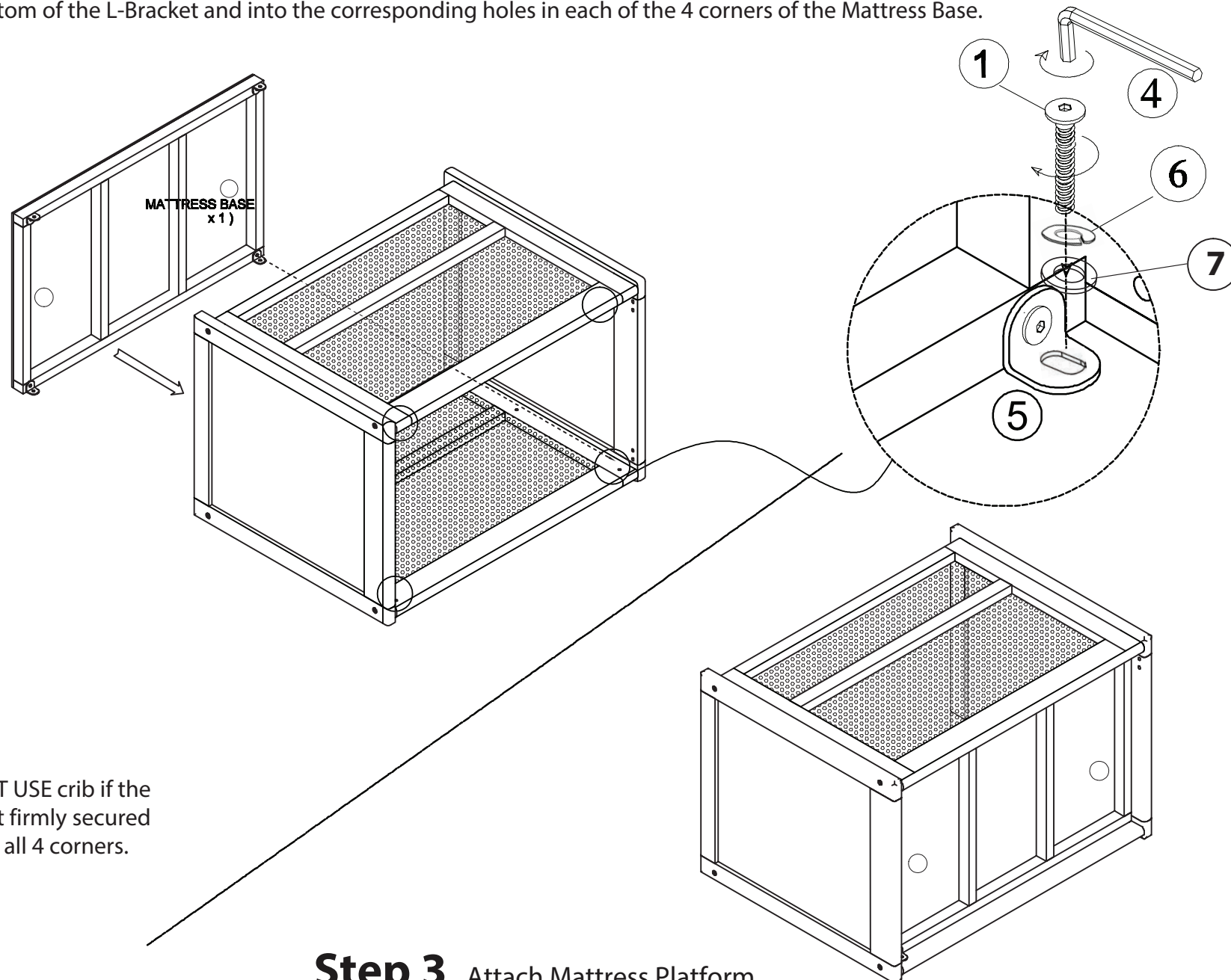


WARNING: Discontinue use of this product when child is able to climb out or reaches the height of 35 in.

Step 2B (Only if assembly directly to Lower Level Mattress)

For Lower Level Mattress Platform

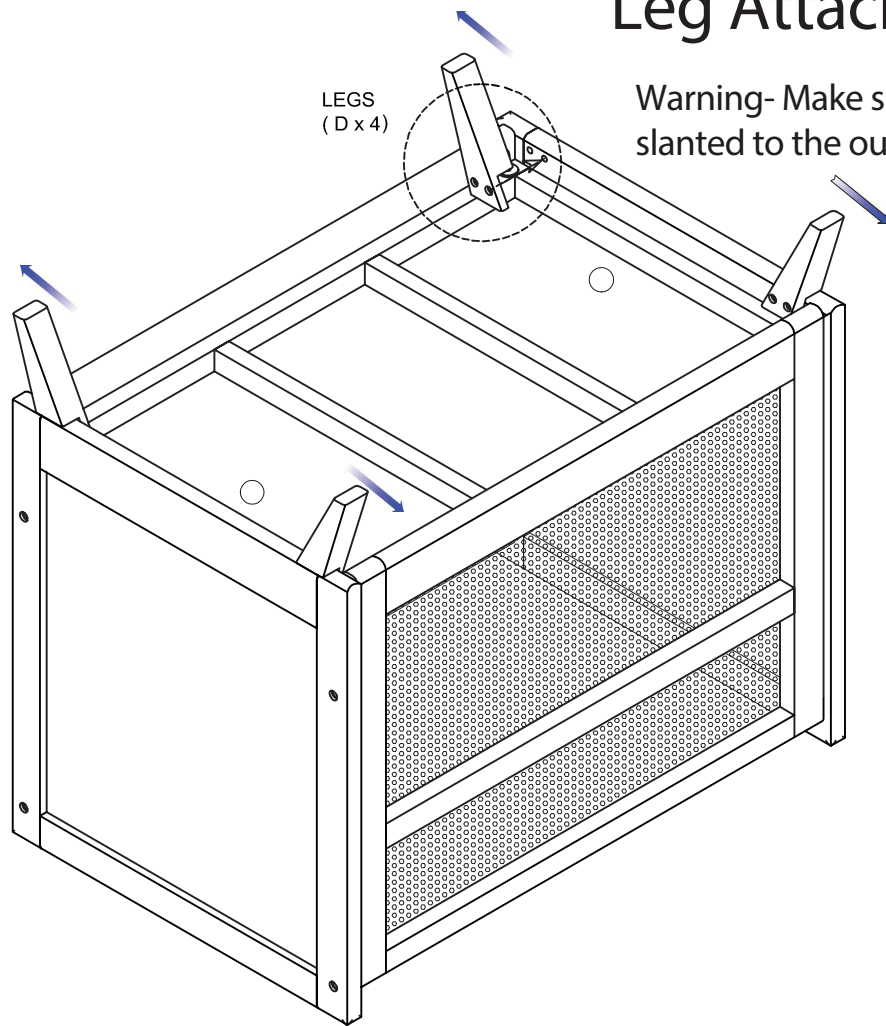
Best for 2 people at this step. Turn crib on side and insert (Part C) Mattress Base through the opening in the top of the crib. Hold the Mattress Base flat against the top of the L-Brackets installed in Step 2A or 2B. Use the 2 holes in platform to help you handle. Then from the underside of the crib, attach (Part 1) Bolts and (Part 6) Lock Washer and (Part 7) Flat Washer onto the bolt through the bottom of the L-Bracket and into the corresponding holes in each of the 4 corners of the Mattress Base.



WARNING: DO NOT USE crib if the Mattress Base is not firmly secured to the L-Brackets at all 4 corners.

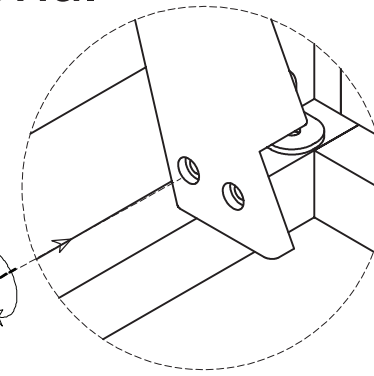
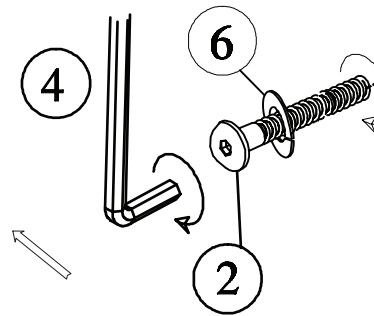
Step 3 Attach Mattress Platform

Leg Attachment – Optional

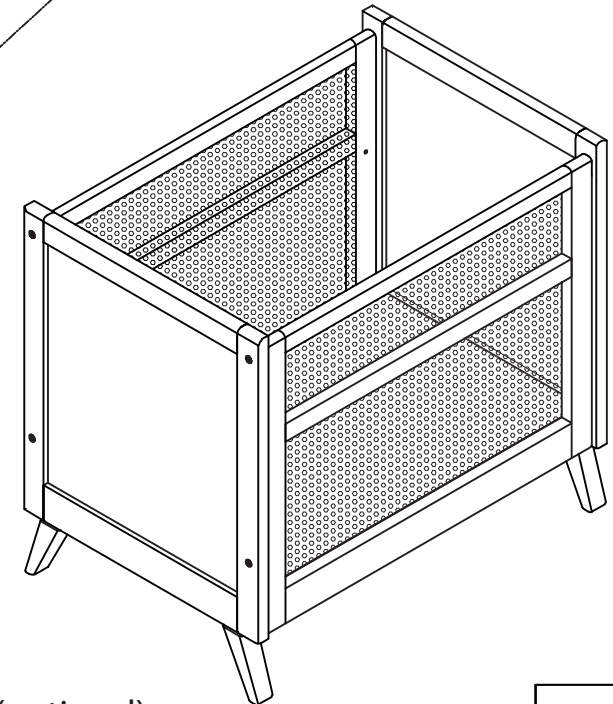


LEGS
(D x 4)

Warning- Make sure legs are installed slanted to the outside of the crib.



Helpful Hint:
Get a second person
to help flip crib over.



Place crib upside down. Attach 4x (Part D) Legs to holes on bottom of both (Part B) Solid Ends. Attach each leg with 2 (Part 2) Bolts, 1 (Part 6) Lock Washer.

Turn crib upright. Be careful not to put too much pressure on legs while turning over.

Place included mattress onto Mattress Base and install sheet

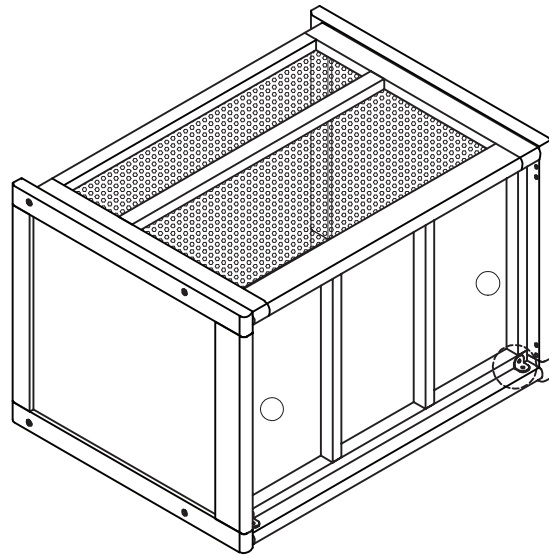
snugly onto mattress. **Enjoy your Breathable™ Mesh Mini Crib.**

Step 4 Leg Attachment (optional)

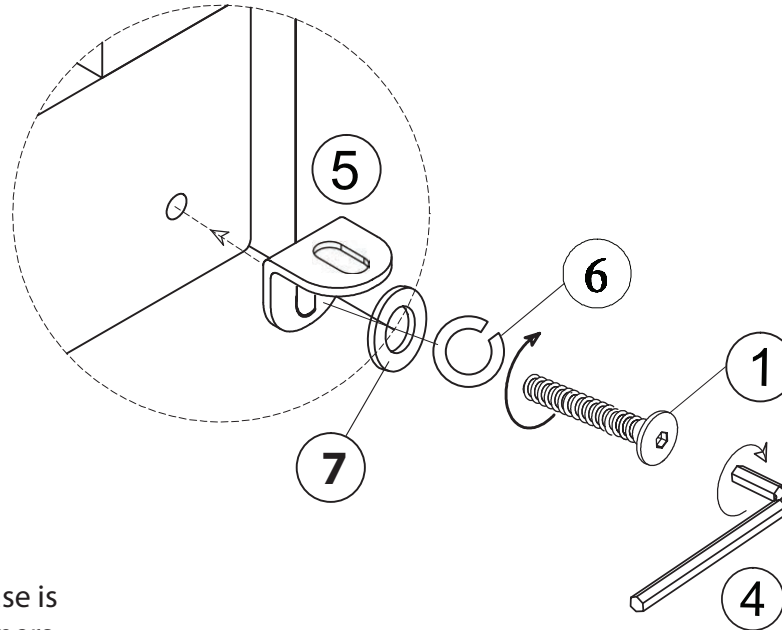
Warning: If optional legs are not used, store legs and all extra hardware somewhere safely out of reach of child.
If optional legs are not used, use pad underneath crib to protect floor from damage.

Lowering Mattress Platform Instructions

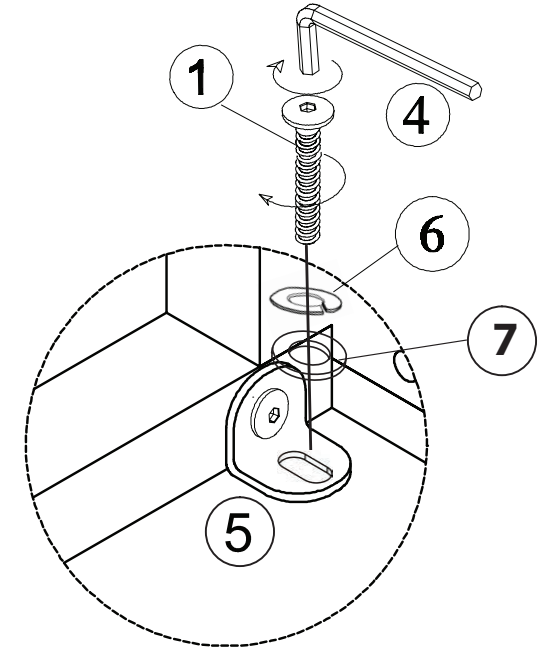
Move mattress and mattress base to bottom crib position when infant begins to push up on hands and knees, can roll over or has reached 20 lbs., whichever comes first.



Attach L-Brackets to Mesh Rails



Attach L-Brackets to Mattress Base



WARNING: DO NOT USE crib if the Mattress Base is not firmly secured to the L-Brackets at all 4 corners.

Turn crib on side and detach Mattress Base from L-Brackets by unscrewing bolts with allen wrench (M6). Set Mattress Base to the side temporarily. Remove the L-Brackets from the bassinet level by unscrewing the remaining 4 bolts.

Remove the 4 Flat Head Bolts (Part 10) installed during Step 2A in the screw holes on the side rail for the lower platform level. Use the removed 4 bolts and re-install into the empty screw holes higher on the side rails created when you just removed the upper platform to prevent empty holes for safety.

Re-attach the 4 (Part 5) L-Brackets to the 4 lower holes on the inside of the mesh rails near the bottom on both insides of the crib with (Part 1) Bolts and (Part 6) Lock Washers, and (Part 7) Flat Washers. Make sure the L-Bracket has the flat side facing upwards and level so the mattress platform can rest on top. See "circles" on this image for approximate placement of the 4 L-Brackets.

Re-insert (Part C) Mattress Base through the opening in the top of the crib and hold the Mattress Base flat against the top of the L-Brackets using the 2 holes in the platform to help you handle. Then from the underside of the crib, attach (Part 1) Bolts through the bottom of the L-Bracket and into the corresponding holes in each of the 4 corners of the Mattress Base.

Helpful Hint: If legs are attached, remove legs first and then install mattress platform, and then re-install legs.



BreathableBaby®

KEEP INSTRUCTIONS FOR FUTURE USE.

RETURN TO STORAGE ENVELOPE ON MATTRESS PLATFORM WHEN NOT IN USE.