



BreathableBaby®

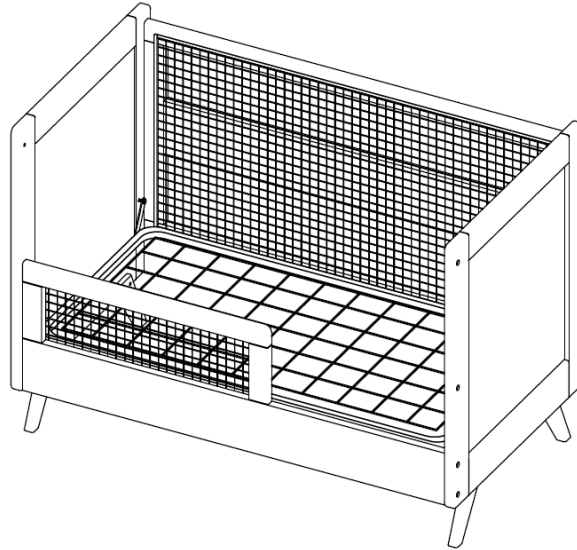
Read all instructions before assembly and use.

KEEP INSTRUCTIONS FOR FUTURE USE.

▲ ADULT ASSEMBLY REQUIRED

Due to the presence of small parts during assembly, keep out of reach of children until assembly is complete.

Breathable™ Mesh Toddler Bed Guardrail Conversion Kit



Customer Care:

Email: CustomerCare@breathablebaby.com

BreathableBaby, LLC.
600 Highway 169 South, Suite 800
St. Louis Park, MN 55426
Phone: 877-827-4442

This product is not intended for institutional or commercial use.

This Toddler Bed Guardrail Conversion Kit works only with BreathableBaby Mesh Convertible Crib. Call BreathableBaby for info.

Style #: #####

Lot: PO #

Date: MM/YYYY

To register your product for important safety alerts and updates to your product please visit **breathablebaby.com/registration**

Please do not return this item to the store before contacting us about missing parts or with any questions.

Care and Cleaning:

Do not scratch or chip the finish. Do not use abrasive chemicals for cleaning. Clean wood or mesh with mild soap on a soft rag. Wipe again with clean water and let dry thoroughly. If you ever refinish this furniture, be sure to use only a non-toxic finish specified for children's products. As with all your fine furniture, blot up spills immediately.

If optional legs are not used, use pad underneath crib to prevent scratches to floor.

TODDLER BED

WARNING

INFANTS HAVE DIED IN TODDLER BEDS FROM ENTRAPMENT.

Openings in and between toddler bed parts can entrap head and neck of a small child.

NEVER use toddler bed with children younger than 15 months.

ALWAYS follow assembly instructions.

The maximum user weight is 50 lbs (22.7 kg)

WARNING

STRANGULATION HAZARD

NEVER place bed near windows where cords from blinds or drapes may strangle a child.

NEVER suspend strings over a bed.

NEVER place items with a string, cord, or ribbon, such as hood strings or pacifier cords, around a child's neck. These items may catch on bed parts.

CAUTION

ENTRAPMENT HAZARD

To avoid dangerous gaps, any mattress used in this bed shall be a full-size crib mattress at least 51 5/8 in (1310 mm) in length, 27 1/4 in (690 mm) in width and a max thickness of 6 in (150 mm).

NOTES ON USE:

Keep children and others safe by following these simple rules:

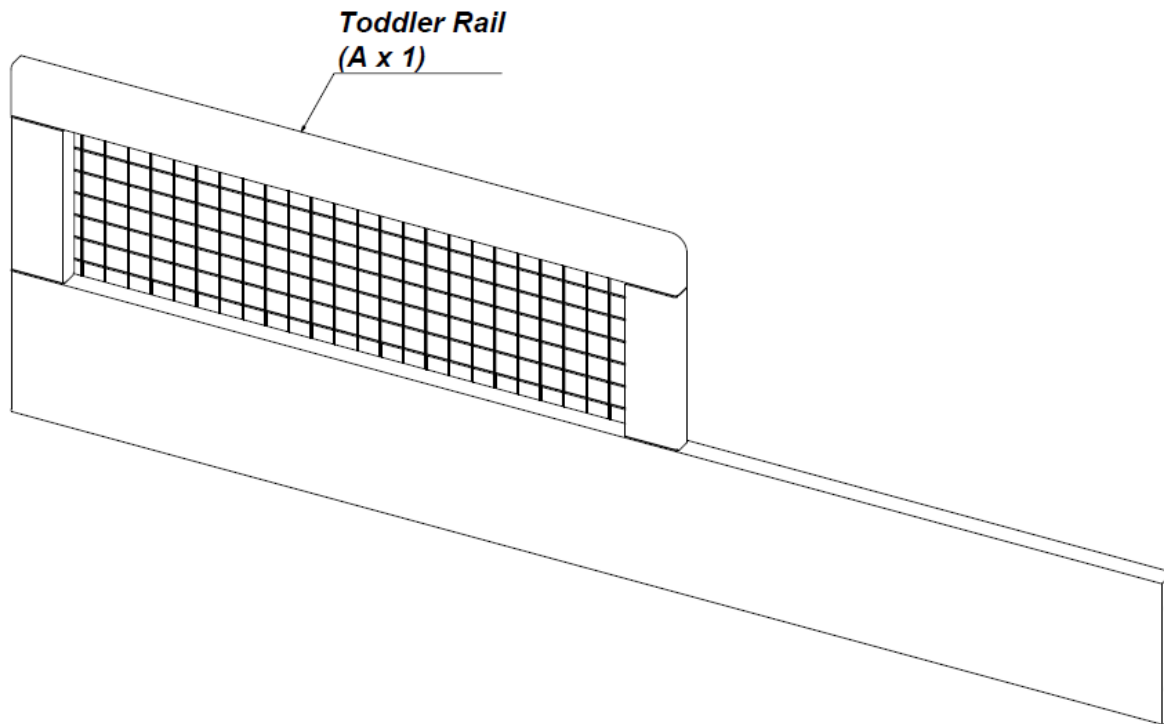
- Do not allow any child to play on furniture
- Do not allow climbing on any piece of furniture.
- Do not allow hanging from any piece of furniture.
- Always monitor your child's activity when in the nursery.

NOTES ON CARE AND MAINTENANCE:

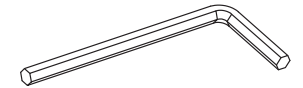
- Do not scratch or chip the finish.
- Inspect the product periodically, contact BreathableBaby for replacement parts or questions.
- Do not store the product or any parts in extreme temperatures and conditions such as a hot attic or a damp, cold basement. These extremes can cause a loss of structural integrity.
- To preserve the luster of the high quality finish on your product, it is recommended to place a doily or felt pad under any items you place on the finish.
- Clean with a damp cloth, then a dry cloth to preserve the original luster and beauty of this fine finish.
- Lift slightly when moving on carpeting to prevent leg breakage.

Parts List

**DO NOT USE IF ANY PART IS BROKEN, TORN, OR MISSING.
CONTACT BREATHABLEBABY CUSTOMER CARE IN THAT EVENT.**

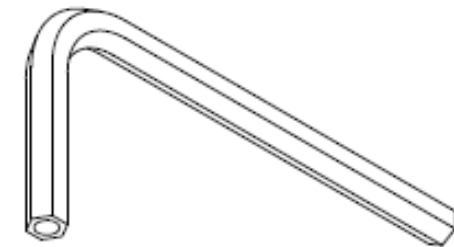


Required Tools:



Allen Wrench supplied

For every bolt, be sure to
hand tighten snugly but
DO NOT over-tighten.

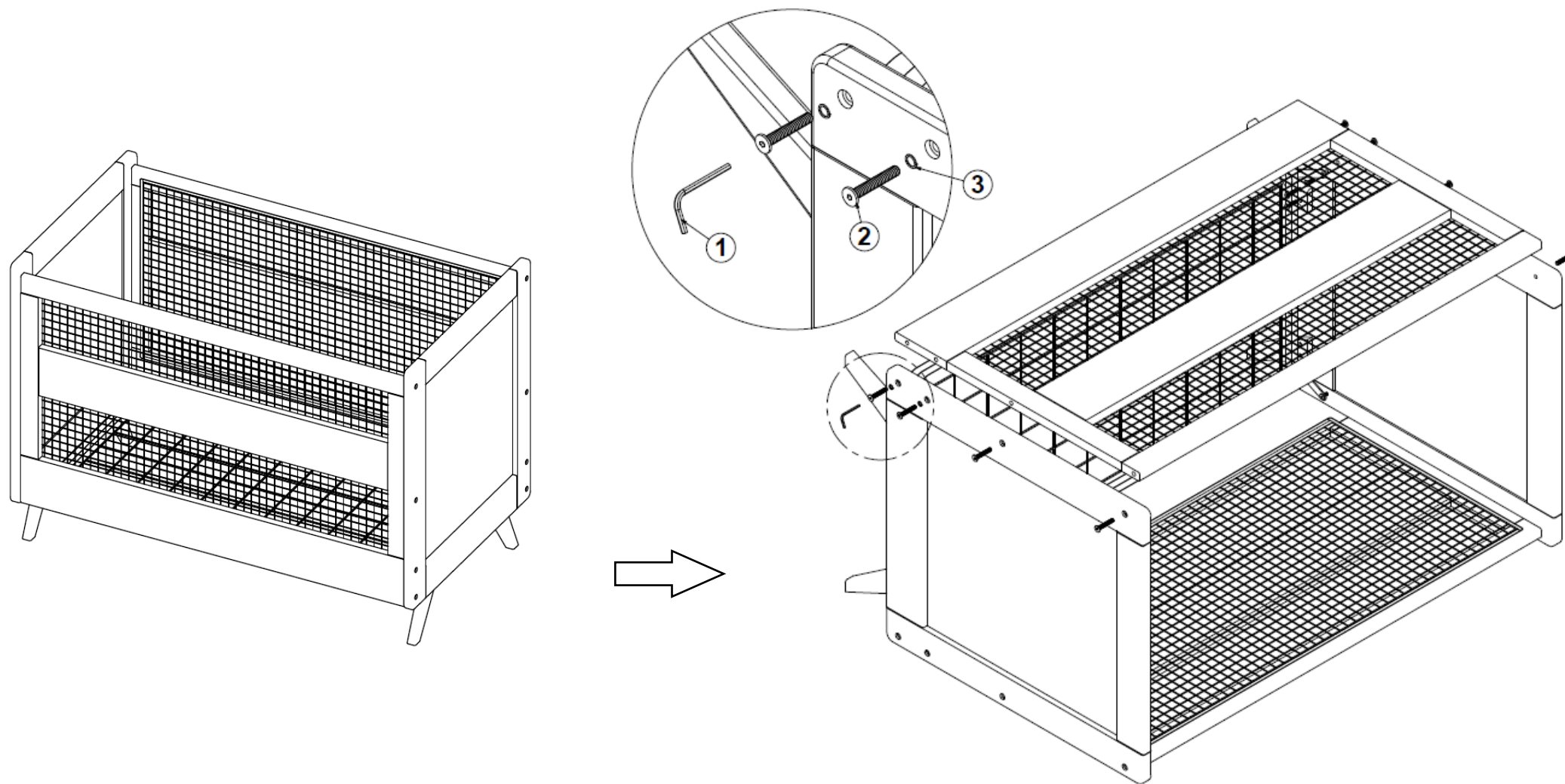


(1) Allen Wrench = 1 pcs

Note: The 5 Bolts (M6 x50) and 5 Lock Washers needed to attach this Toddler Bed Guardrail will be reused from the crib after front side rail is removed.

Lay crib on side with front side facing upwards. Remove front mesh rail by removing 4 bolts (Part 2) and lock washers (Part 3) from each side (8 total bolts and lock washers)

Note: Lay crib on soft, smooth, clean surface so not to damage finish.



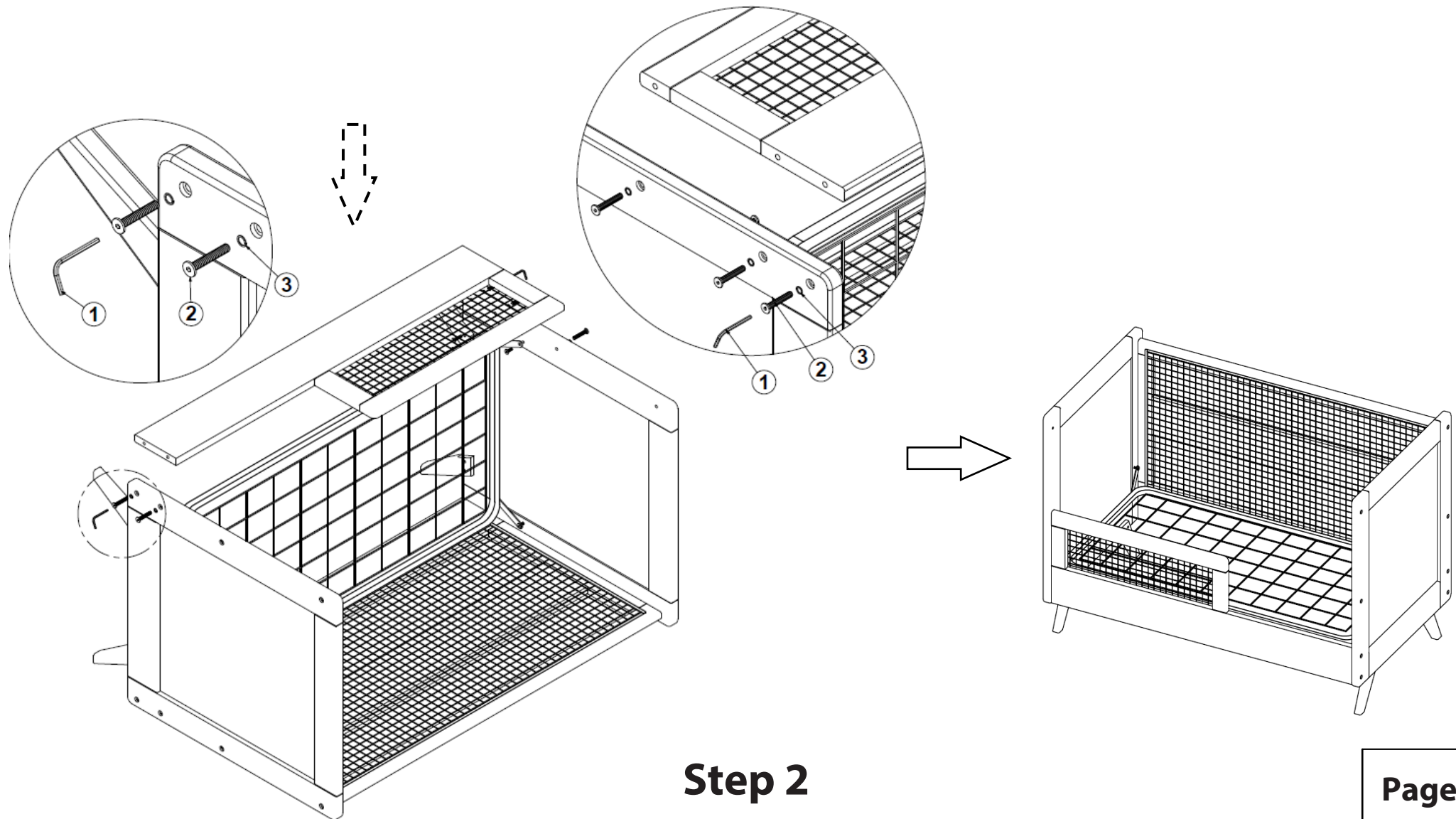
Helpful Hint:

*Get a second person to help flip crib over.
Be careful not to put too much pressure on the legs.*

Step 1

Install Toddler Bed Guardrail with 5 total bolts (Part 2) and lock washers (Part 3) that were removed in Step 1. 2 Bolts and Lock Washers on the short end and 3 Bolts and Lock Washers on the taller end with the mesh. Tighten all bolts with Allen Wrench supplied. Turn crib upright. **Enjoy your Breathable™ Mesh Toddler Bed Guardrail.**

WARNING: Use Toddler Bed Guardrail with mattress base ONLY in the lowest position. Do Not use without Toddler Bed Guardrail installed.





BreathableBaby®

KEEP INSTRUCTIONS FOR FUTURE USE.

RETURN TO STORAGE ENVELOPE ON MATTRESS BASE WHEN NOT IN USE.