

Housing Installation - My Space Bollard

surface mount
cam-lok / tee-lok

tools required:

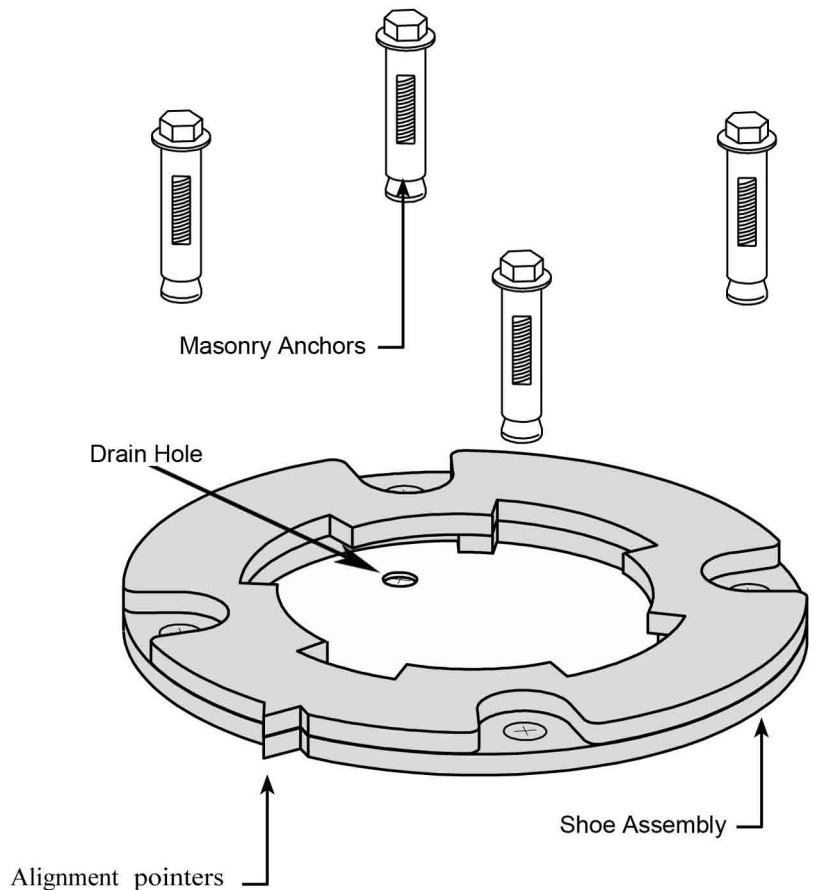
- Masonry drill with 12mm drill bit.
- Socket or ring spanner.
- Marking pen.

fitting instructions:

1. Having decided on the location of the bollard,
Mark out and drill the five holes
12mm diameter, 65mm deep.
Clear holes of dust.
2. Assemble as shown,
- shoe assembly
- Insert masonry anchors
and tighten.

Insert bollard into installed shoe
and test from the bottom.

Base Plate Height/Thickness: 19mm



My Space Bollard