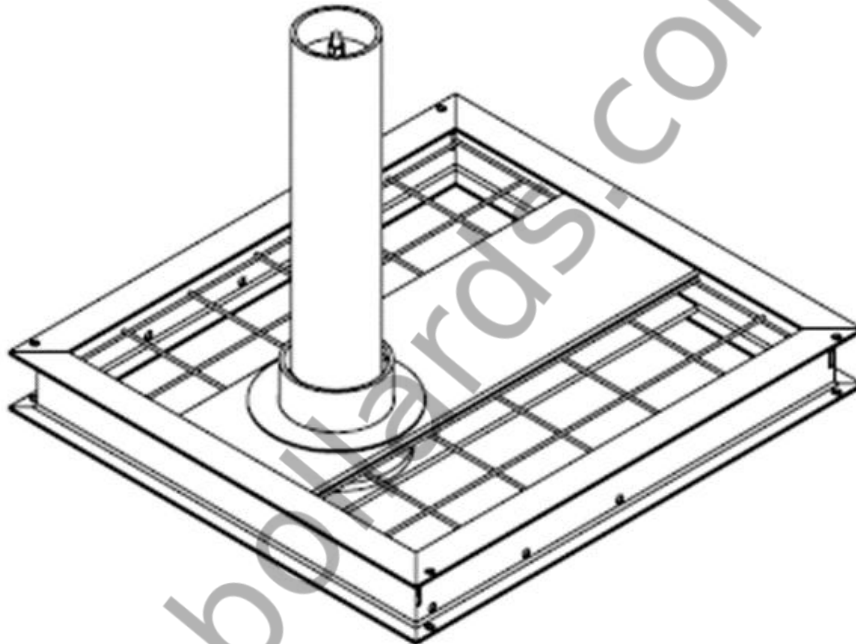


# AB-7.5T-48KPH-PAS 68/LIFT-OUT BOLLARD



These PAS 68 engineered Bollards are able to absorb the impact of a 7.5 tonne hostile vehicle at up to 48 kilometres per-hour, the AB-7.5T-48KPH Lift Out Bollard provides security and safety to pedestrians. These Shallow Mounted protective Bollards are engineered in accordance with the IWA-14.1 Standards



<b>Core Diameter (mm)</b>	<b>273</b>
<b>Height Above Ground (mm)</b>	1180
<b>Foundation Depth (mm)</b>	Please contact our highly trained sales team.
<b>Sleeve Material</b>	304 grade stainless steel. Also available in 316 grade stainless steel.
<b>Additional Notes</b>	Branded reflective tape also available on request.